

## DS-PM1-I8O2-H Speed-X Wired Input Expander



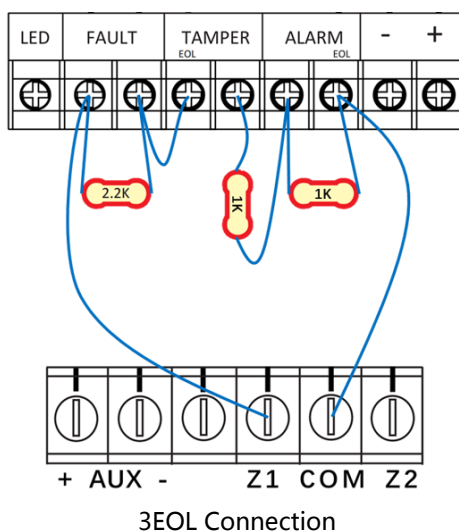
DS-PM1-I8O2-H is a wired zone expander for AX Hybrid Pro control panel, which has 8 on-board zones and 2 on-board collector outputs. This zone expander communicates with control panel via Speed-X bus, and the maximum distance between zone expander and control panel can be 900m. What's more, DS-PM1-I8O2-H has another Speed-X bus output for cascading the next zone expander, and the cable distance can be another 900m. In this way, wired input expander is suitable for small to medium applications, like villa, shop, office, hotel, etc.

- 8 on-board wired zones
- Support 3EOL connection(Alarm: 1K $\Omega$ ; Tamper: 1K $\Omega$ ; Fault: 2.2K $\Omega$ )
- Support zone alarm, tamper, masking, fault, short detection
- 1 power output for wired detectors
- 2 Speed-X bus, supporting wired input expander cascade mode

## ▪ Specification

Hardware features	
Alarm input	8
IO Output	2 (connect to relay module)
Bus	2×Speed-X bus, 1 input for control panel connection and 1 output for expander cascading
Tamper-Proof	Support (front and rear)
Electrical characteristics	
Power supply	11 to 24 VDC
Typical voltage	12 VDC
Power consumption	Maximum current: 119 mA@12 VDC Quiescent current: 45 mA@12 VDC
Output Voltage	9 to 12 VDC
Output Current	Maximum 500 mA
Display	
LED Indicator	LED indicators: 1 for power, 1 for fault
General	
Operation temperature	-10°C to 40°C
Operation humidity	10% to 90%
Shell material	Plastic
Dimension(WxHxD)	110 mm × 155 mm × 32 mm
Weight	252.5 g

## ▪ Running Environment



## ▪ Available Model

DS-PM1-I802-H

**Headquarters**

No.555 Qianmo Road, Binjiang District,  
Hangzhou 310051, China  
T +86-571-8807-5998  
www.hikvision.com



Follow us on social media to get the latest product and solution information.

