

DS-K4H255-LZ Accessory of Magnetic Lock



- Bracket for DS-K4H255S
- L bracket is used for fixed lock body
- Z bracket is used for suction plate fixed, is equipped with antiskid and structure adjustment

▪ Specification

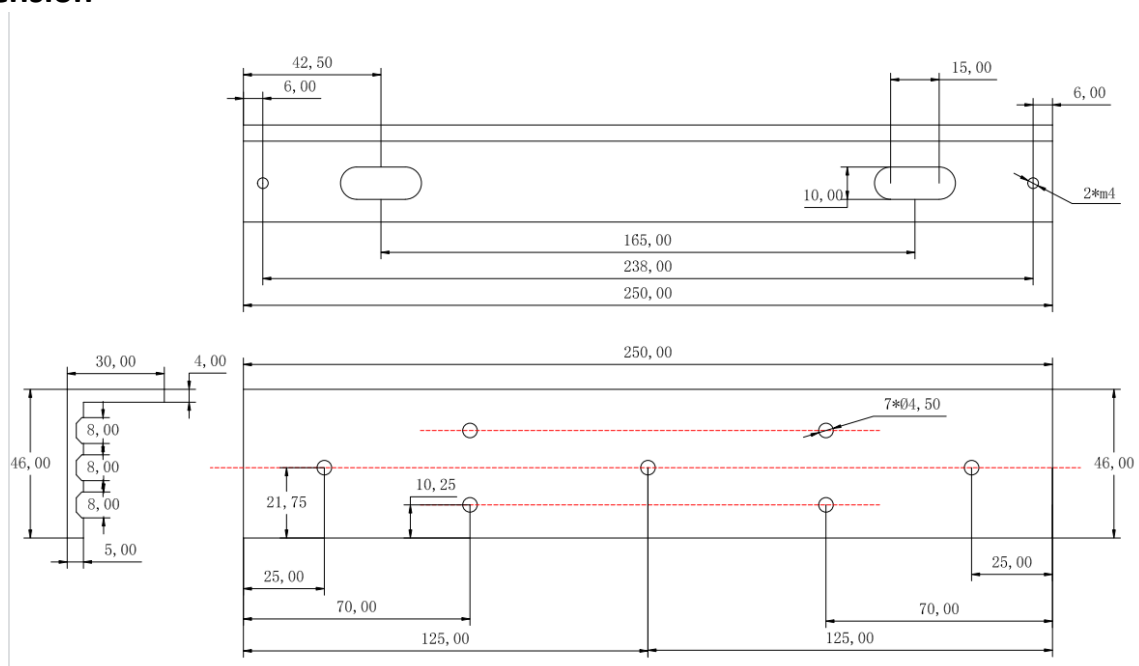
General	
Dimensions	L-bracket: 250 mm × 46 mm × 30 mm (9.8" × 1.8" × 1.2") Z-bracket: 180 mm × 47 mm × 47 mm (7.1" × 1.9" × 1.9")
Weight	0.5 kg (1.1 lb)
Material	High strength aluminum alloy surface sandblasting oxidation
Door type	Wooden Door, Glass Door, Metal Door
Bracket of Magnetic Lock	
Suitable Door	Wooden Door, Glass Door, Metal Door

*Bracket for DS-K4H255S

▪ Available Model

DS-K4H255-LZ

▪ Dimension



Headquarters

No.555 Qianmo Road, Binjiang District,
Hangzhou 310051, China
T +86-571-8807-5998
www.hikvision.com



Follow us on social media to get the latest product and solution information.



Hikvision



HikvisionHQ



HikvisionHQ



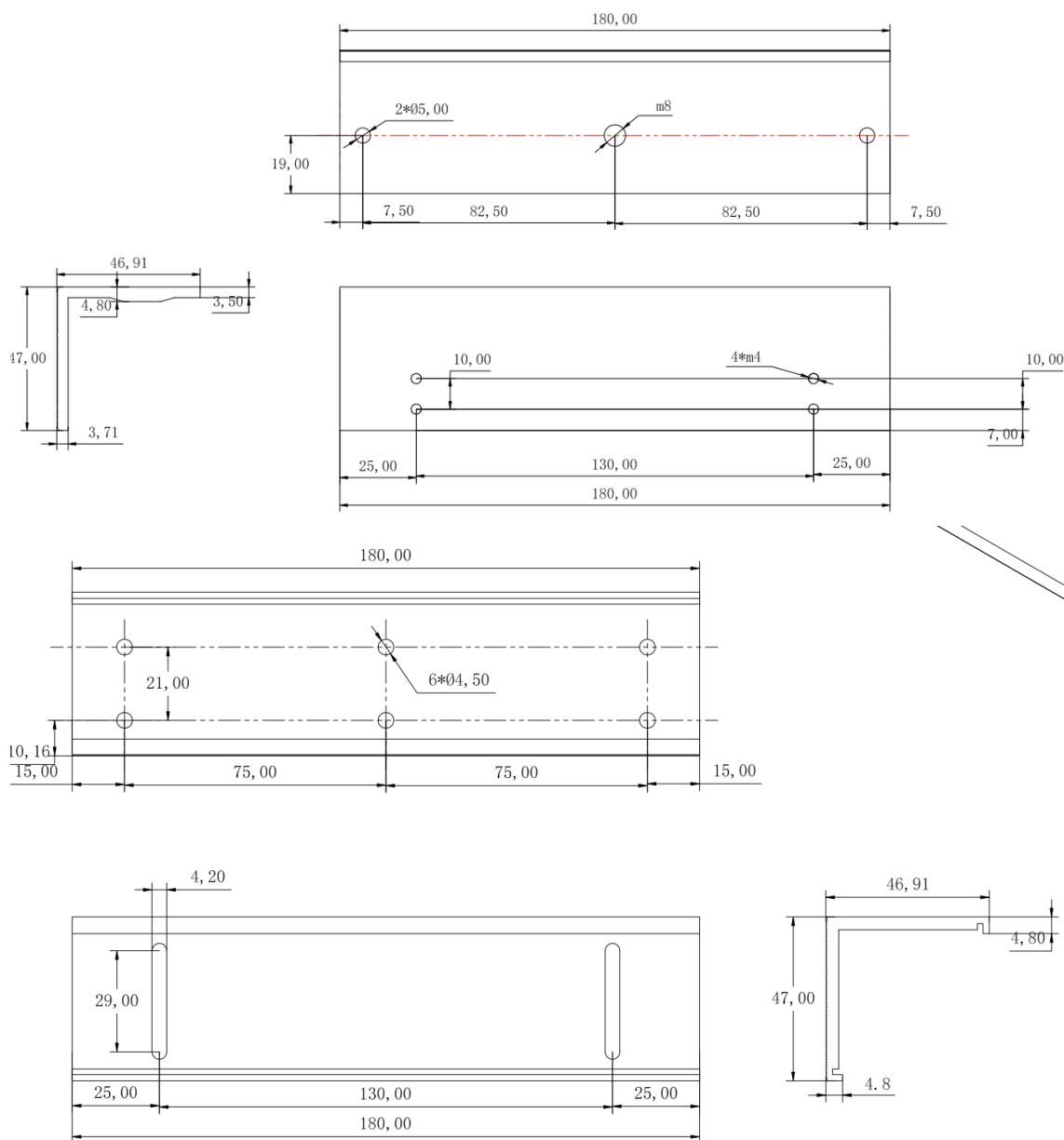
Hikvision_Global



Hikvision
Corporate Channel



hikvisionhq



Headquarters

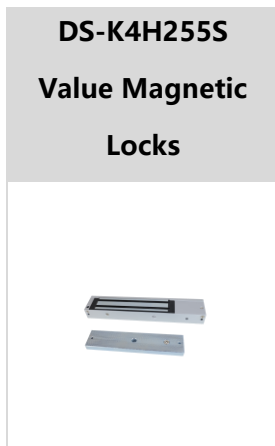
No.555 Qianmo Road, Binjiang District,
Hangzhou 310051, China
T +86-571-8807-5998
www.hikvision.com



Follow us on social media to get the latest product and solution information.



- **Accessory**
- **Included**



Headquarters

No.555 Qianmo Road, Binjiang District,
Hangzhou 310051, China
T +86-571-8807-5998
www.hikvision.com



Follow us on social media to get the latest product and solution information.

