

DS-K6B411TMX
Value Smart Swing Barriers

- Supports AP mode for mobile Web, for Android phones to access more easily by a simple touch via NFC function.
- Supports built-in face recognition camera module on the top of cover, easy and convenient.
- Anti-passback: Supports cross-device anti-passback function, effectively preventing unauthorized personnel from following in.
- WEB management: Supports mobile Web and PC Web management, and can perform operations such as personnel management, parameter configuration, event query, and system maintenance.
- Fire linkage: The equipment has a fire linkage interface. When the fire signal is triggered, the barrier will be open automatically for emergency evacuation.
- Barrier is in free status when powering down, allowing people to pass freely. Super capacitor (optional) can realize automatic door opening in case of power failure.

▪ Specification

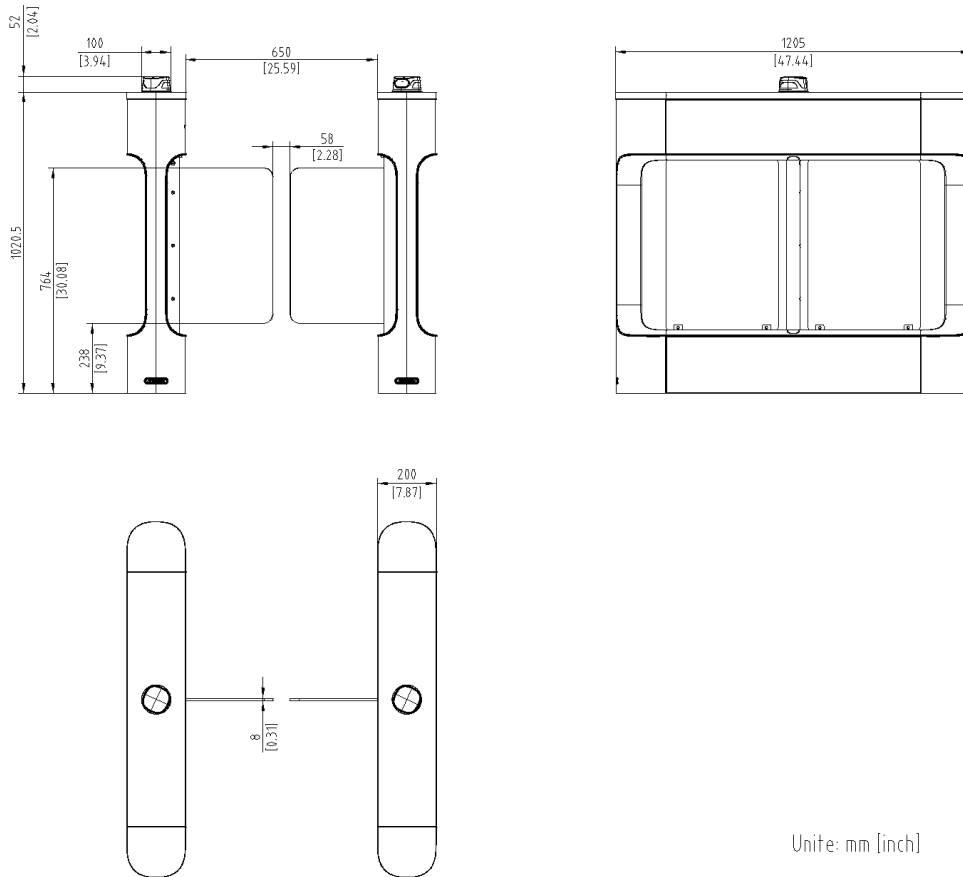
System	
Motor	Brushless Motor
MCBF	≥ 5 million times
Brake	Not support
Laser sensor	6
Image	
Resolution	600 × 1024
Video	
Lens	Prime Lens
Video compression standard	H.264
Resolution	2 MP
WDR	Support
Video standard	PAL by default, support NTSC
HOV	Horizontal: 75° Vertical: 139°
Audio	
Audio compression standard	G.711U
Audio compression bitrate	64 Kbps
Audio output	Support
Volume adjustment	Support
Power output	5.5W
Network	
Wired network	Support,10M/100M
Wi-Fi	Not support
Interface	
Network interface	1
Lock control	0
Exit button	2
Alarm output	4
RS-485	2
RS-232	0
Wiegand	0
USB	2
Fire alarm input	2
Case input	2
Hardware	
Access controller	Supplied
Supercapacitor	Supplied
Network switch	Not supplied
Capacity	
Face capacity	100,000
Card capacity	200,000
Event capacity	100,000

Authentication	
Face recognition distance	0 m to 2 m
Face recognition accuracy rate	> 99%
Face recognition duration	< 200 ms
Card	M1 card
Card reading frequency	13.56 MHz
Card reading distance	3cm
Card reading duration	< 1s
Function	
Configuration via PC Web	Support
Configuration via mobile Web	Support
Hik-Connect	Not support
Multi-factor authentication	Support
Face anti-spoofing	Support
Built-in face recognition	Support
Communication protocol	ISAPI,TCP/IP
Keyfob	Support, 433 MHz/868 MHz, within 50 m
General	
Lane width	550 mm to 1400 mm (21.65" to 55.12")
Barrier material	8 mm acrylic glass,1.5 mm stainless pipe
Pedestal material	SUS304 stainless steel 1.2 mm
Indicator	Lane status indicator, authentication indicator and barrier light
Power consumption	100 W
Working temperature	-15 °C to 65 °C (5 °F to 149 °F)
Working humidity	10% to 95% (No condensing)
Protective level	IPX4
Dimensions	Without package: 1205 mm × 199 mm × 1072 mm (47.44" × 7.83" × 42.21") With package: 1405 mm × 345 mm × 1195 mm (55.31" × 13.58" × 47.05")
Weight	Net: Left: 34.42 kg (75.88 lb) Middle: 35.53 kg (78.33 lb) Right: 34.2 kg(75.48 lb) Gross: Left: 41.48 kg (91.45 lb) Middle: 42.59 kg (93.89 lb) Right: 41.26 kg (90.96 lb)
Approval	CE/CB/RoHS/REACH/WEEE
Power supply method	M: 100-120V~/200-240V~,50Hz/60Hz,1.6A L/R: 100-240V~,50Hz/60Hz,0.8A
Language	English, Japanese, Thai, Indonesian, Russian, Spain (European), Spain (Latin America), Portugal (Brazil), Arabic, Kazakh, Uzbek, Ukraine
Interconnecting cable length	5.5m
Door open duration	5 to 60 sec
Configuration	
Module selection	NO

▪ Available Model

DS-K6B411TM

▪ Dimension



Unit: mm [inch]

▪ Accessory

▪ Included

DS-K3B411X-

BASE

Fixed Base



See Far, Go Further



www.hikvision.com
support@hikvision.com

