

CARDLOCK reader

System specifications

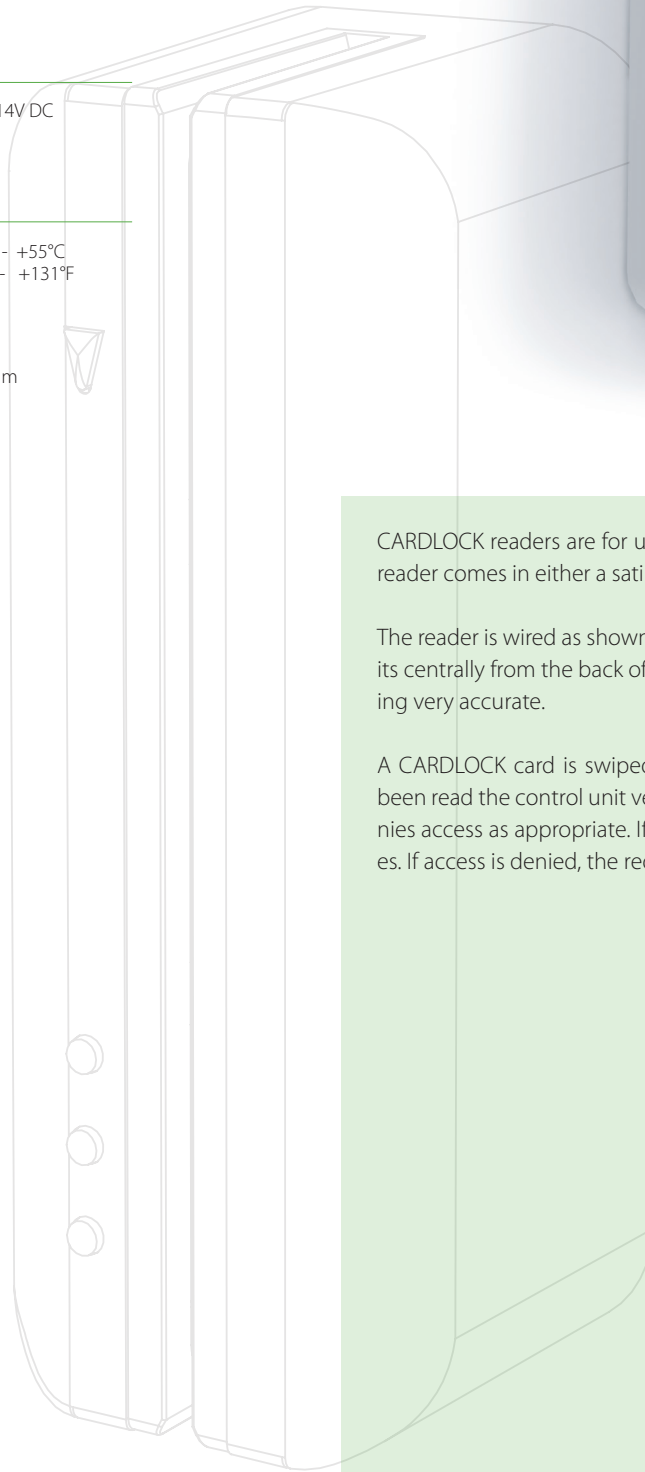
Cable Length	5m/16ft	
Cable extension length and type	≤ 25m/82ft ≤ 100m/328ft	Belden 9538/ Belden 5506FE (USA) Belden 9540/ Belden 5306FE (USA)
Token compatibility	Paxton EM	
Versions	Satin Chrome or Black plastic	
Handsfree compatible	No	

Electrical

Operating Voltage	10V - 14V DC
Current consumption	90mA

Environment

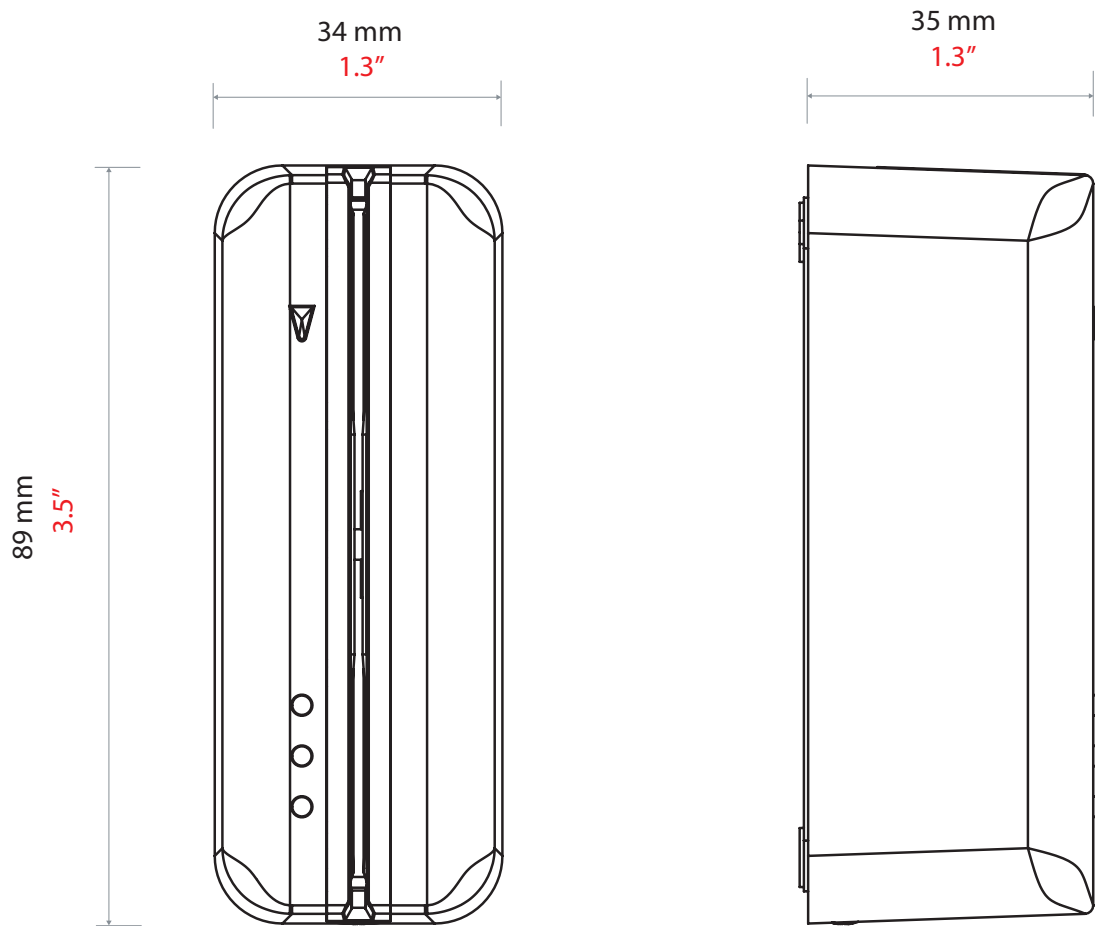
Operating temperature	-35°C - +55°C -31°F - +131°F
Moisture resistance	IPX7
Vandal Resistance	Medium



CARDLOCK readers are for use with Switch2 and Net2 systems. The reader comes in either a satin chrome metal, or black plastic option.

The reader is wired as shown on the control unit label. The cable exits centrally from the back of the reader making drilling and mounting very accurate.

A CARDLOCK card is swiped through the reader. Once a card has been read the control unit verifies the information and grants or denies access as appropriate. If access is granted, the green LED flashes. If access is denied, the red LED flashes.



Accessories and sales codes

CARDLOCK reader - Satin chrome

409-711SC

CARDLOCK reader - Black Plastic

266-898