

DS-UAC-S1 Wireless Conference Speakerphone



- Adopts 8-mic array, picking up 360° clear sound with 5 meters range
- Adopts the HD speaker
- Supports steady and transient smart noise reduction, echo and squeal suppression, anti-reverberation to enhance speech quality and offer audio in high quality
- The built-in 7.2 V/3700 mAh lithium battery supports the device to last 10 hours after a full charge.
- Supports wireless connection through Bluetooth and a USB dongle
- Supports wired connection through a USB cable
- Driver-free design enables plug-and-play
- Compatible with leading online conferencing platform

▪ Specification

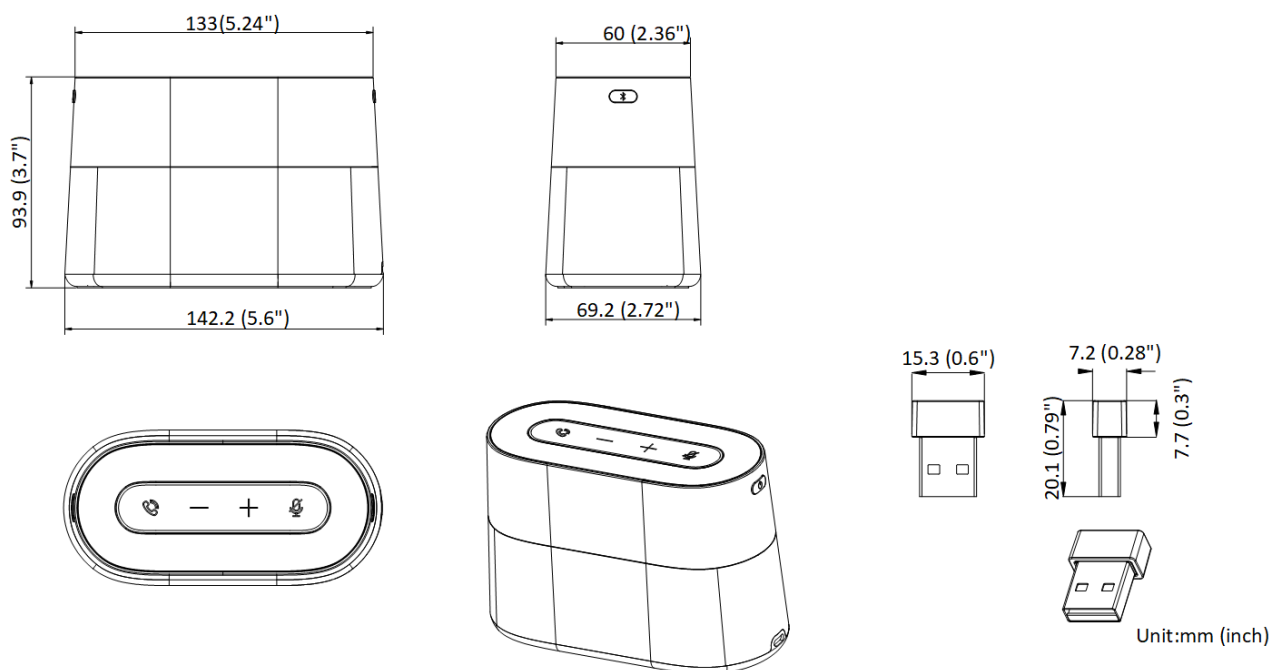
| Microphone | |
|---------------------------------|--|
| Type | MEMS |
| Direction | 360° Omni-directional |
| Pickup Distance | In the radius up to 5 m |
| Amount | 8 |
| Frequency Response | 100 Hz to 8 kHz |
| Sensitivity | -38 dBV/Pa |
| SNR | 65 dB |
| Sampling Rate | 16 kHz/32 kHz/48 kHz |
| Special Function/Algorithm | Beam forming |
| 3A Algorithm | AEC, ANS, AGC |
| Speaker | |
| Rated Power | 3 W |
| Maximum Output Loudness | 81 dBSPL @1 m, 1 kHz |
| Speaker Range | In the radius up to 8 m |
| Effective Bandwidth (-10 dB) | 150 Hz to 15 kHz |
| Total Harmonic Distortion (THD) | < 1% @ 1 kHz |
| Functions | |
| Audio Function | Supports steady noise reduction, such as the sound of air conditioner and fan, and transient noise reduction, such as the sound of falling, claps and steps. Supports echo and squeal suppression, anti-reverberation to enhance speech quality and offer audio in high quality. |
| LED Indicator | Ambient light Solid White: picking up sounds. Solid Red: mute. Green Light: speaker volume Bluetooth light Solid White: Only previously paired devices can connect to Bluetooth. Flashing Blue: Unpaired devices can be paired with Bluetooth. Solid Blue: The speakerphone connects to Bluetooth successfully Light remains off: Bluetooth is off. Power light Charging status: flashing white: charging; solid white: charging completed Non-charging status: solid red: battery ≤ 15%; solid yellow: 15% < battery ≤ 30%; solid white: battery > 30% |
| Communication | |
| Communication Method | Bluetooth, USB Dongle, USB cable |
| Wireless Communication Distance | 10 m |
| Wired Communication Distance | Cable length: 2 m |
| Battery | |
| Capacity | 7.2 V/3700 mAh |
| Battery Life | 10 hours when the volume is turned on to 75%. The actual battery life depends on the usage environment and the battery health. |
| Charging Temperature | 0 °C to 45 °C (32 °F to 113 °F) |
| Discharging Temperature | -20 °C to 60 °C (-4 °F to 160 °F) |

| | |
|-----------------------|--|
| Storage Temperature | 0 °C to 35 °C (32 °F to 95 °F) (less than one year) |
| Quick Charge Protocol | PD 3.0 Protocol |
| Interface | |
| Cable | Cable in package: type-C-to-C interface (with a type-C-to-A adapter on the cable) |
| Device Interface | USB Type C |
| Compatibility | |
| System Requirement | Windows XP/7/8/10/11 Android 8.1 and above version Linux 4.14 and above version macOS 10.12 and above version |
| General | |
| Power | 5 VDC ± 5%, max. 4.8 W |
| Operating Condition | -10 °C to 45 °C (14 °F to 113 °F). Humidity 90% or less (non-condensing) |
| Dimension | 142.2 mm × 93.9 mm × 69.2 mm (5.60" × 3.70" × 2.72") |
| Package Dimension | 273 mm × 140 mm × 82 mm (10.75" × 5.51" × 3.23") |
| Weight | Approx. 645 g (1.42 lb.) |
| With Package Weight | Approx. 1190 g (2.62 lb.) |
| Color | Silver gray |
| Packing List | Speakerphone × 1 USB Dongle × 1 USB 3.0 cable (2 m) × 1 Quick Start Guide × 1 Storage case box × 1 |

▪ Available Model

DS-UAC-S1

▪ Dimension



Headquarters

No.555 Qianmo Road, Binjiang District,
Hangzhou 310051, China
T +86-571-8807-5998
www.hikvision.com



Follow us on social media to get the latest product and solution information.

