

## Smart PT Camera

### Uho-S2



### Overview

Uho-S2 is a 2MP indoor PT camera with real-time two-way audio, HD night vision, motion detection, auto tracking, audio detection, human body detection, and other functions. The pan&tilt design allows the camera to flexibly rotate horizontally and vertically, realizing 360° pan range. Used with Uniarch APP and EZCloud, you can check the real-time indoor situation anytime and anywhere.

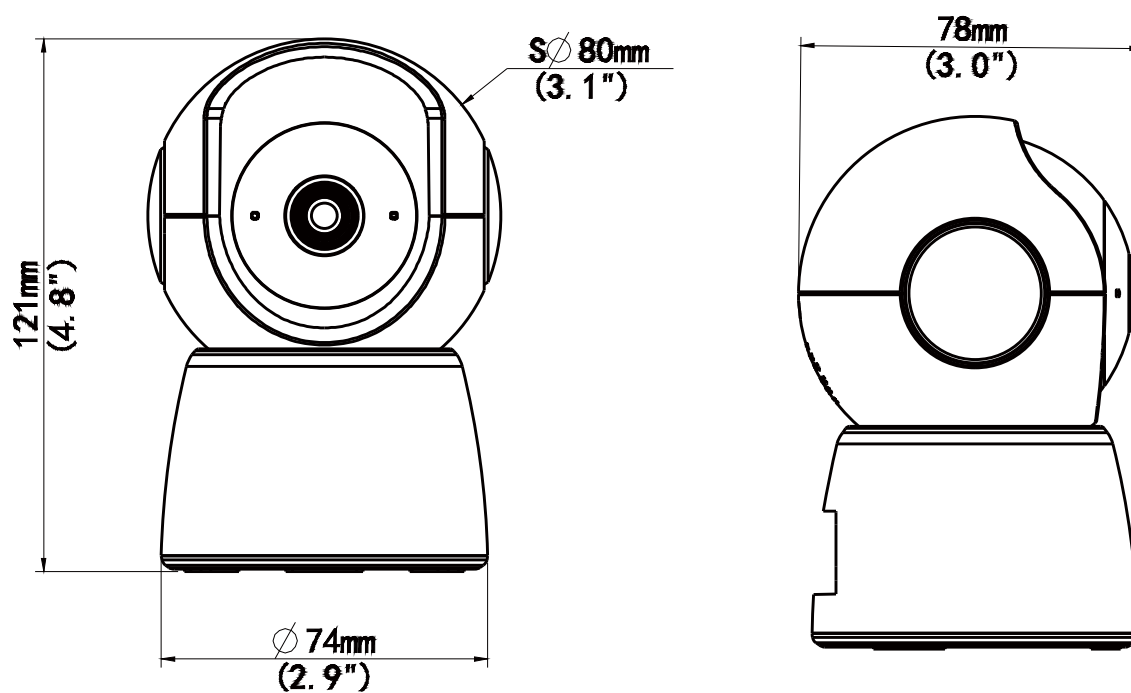
### Features

- 2MP, IR night vision
- 360° endless pan range, 24-hour guard
- Two-way audio
- Multiple detection ways
- Easy and convenient to use

## Specifications

| Model                     | Uho-S2  |
|---------------------------|---|
| <b>Image</b>              |   |
| Image sensor              | 2MP, 1/3" CMOS sensor   |
| Lens                      | 4.0mm@F2.0  |
| FOV                       | H (horizontal) 86°; V (vertical) 46°; D (diagonal) 104°       |
| Min. illumination         | 0.01Lux   |
| Illumination range        | IR 10m  |
| <b>Audio</b>              |   |
| Input/output              | Two-way audio (built-in Mic and speaker)                      |
| Pickup range              | 7m  |
| Audio compression         | G711A, G711U  |
| <b>Video</b>              |   |
| Video compression         | H.264,H.265   |
| Stream                    | Main/sub streams  |
| Frame rate                | 25fps   |
| <b>Network</b>            |   |
| Wi-Fi                     | 2.4G Wi-Fi (IEEE802.11b/g/n), built-in antenna                |
| Compatible Integration    | ONVIF (Profile S, Profile G, Profile T), API                  |
| <b>Interface</b>          |   |
| Power                     | Micro USB interface   |
| SD card                   | Micro SD card slot  |
| Reset button              | Supported   |
| <b>Storage</b>            |   |
| SD card storage           | Up to 256 GB  |
| <b>Detection function</b> |   |
| Motion detection          | Supported   |
| Auto tracking             | Supported   |
| Audio detection           | Supported   |
| Human body detection      | Supported   |
| <b>General</b>            |   |
| Power                     | DC 5V/1A  |
| Dimensions (Ø x H)        | φ 80*121mm  |
| Mount method              | Pendant/desktop mount   |
| Weight                    | 185g(0.41lb)  |
| Operating environment     | -10°C to 55°C(14°F to 131°F); < 95% humidity (non-condensing) |
| Pan/tilt range            | Pan 360°, tilt 105°   |
| LED indicator             | 1, red/blue   |
| Certification             | CE CB FCC   |

## Dimensions



[www.uniview.com/uniarch](http://www.uniview.com/uniarch)

©2022 Zhejiang Uniview Technologies Co., Ltd. All rights reserved.

\*Product specifications and availability are subject to change without notice.