

# MultiBio 800

## Multi-biometric Access Control and Time Attendance Terminal



MultiBio 800 is a time attendance and access control terminal for face and fingerprint verification. Using ZK latest ZKFACE 7.0 high-speed face recognition algorithm, it has extremely high verification speed and low error rate, and is able to effectively prevent duplicated registration.

With its high-resolution infrared night vision light and professional color duo camera, the terminal can carry out quick verification in any environment. What is more, it supports face, fingerprint, user ID, password, RFID card (optional) and various combination methods, in order to satisfy the demands of different users. Moreover, the TCP/IP communication supports connection across internet segments. Its auxiliary input function can be used for linking to Fire Alarm.

### Features

- 2.8-inch color display with graphical UI for easy operation
- Effectively prevent duplicated face registration
- Multiple Verification Modes: Multi-verification methods (card is optional) providing user various choices
- Full Access Control Features: Anti-passback, access control interface for 3rd party electric lock, door sensor, exit button, alarm and doorbell
- Good Performance in Dark Environment, Infrared optical system enables machine to work well at night
- Built-in auxiliary input with enhanced flexibility to link with wired detector or emergency switch

# Specifications

Display	2.8 inch TFT LCD Color Screen
Face Capacity	400 Face
Fingerprint Capacity	1000 Templates
Card Capacity	1000(Optional) ID or Mifare card
Transaction Capacity	100,000 Transactions
Algorithm Version	ZKFinger VX10.0 & ZKFace VX7.0
Communication	RS485, TCP/IP, USB-host
Access Control Interface	3rd Party Electric Lock, Door Sensor, Exit Button, Alarm, Doorbell, Wiegand In/Out
Aux. Input	1ea for linkage function
Standard Function	DST, Automatic Status Switch, Anti-passback, Scheduled-Bell, PhotoID
Power Supply	12V DC,3A
Operating Temperature	0 °C- 45 °C
Operating Humidity	20%-80%
SDK	Standalone SDK
Software	ZKAccess3.5

# Optional Accessories



Exit Button



FR1200



Electric Lock



Alarm

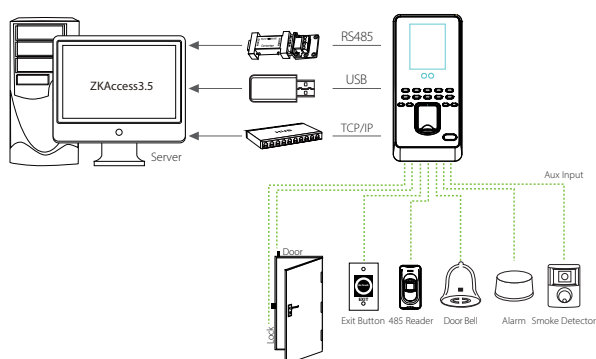


Sensor

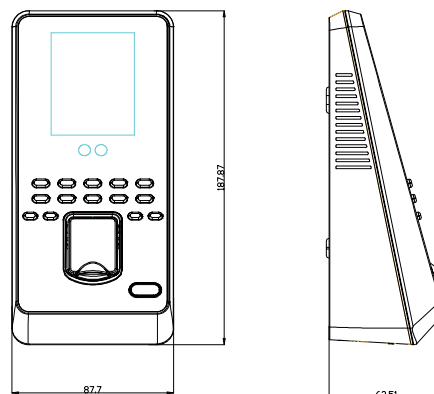


RFID Reader

# Configuration



# Dimensions (mm)



Version 1 2021.02.22

# Accessories

## Overview

The Rainshield protects your device from harsh weather and sunlight tarnishing the outer materials. The Rainshields and backboxes are made from mild steel and powder coated with black but the powder coating color can be changed on request.

The Backbox fits inside the rainshield and allows for neat and adequate cable management. Devices without a IP rating to go outside does not have a rainshield.



## MB800 Back Box

## Specification

Color	Black
Paint	Powder Coat
Material	Mild Steel