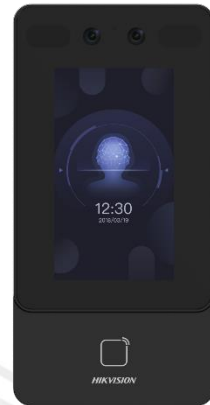


DS-K1T342MWX-E1 Face Recognition Terminal



Face recognition terminal adopts deep learning algorithm, which helps to recognize the face faster with higher accuracy. It also supports multiple authentication modes: face/card authentication, etc. It can be applied in multiple scenarios, such as buildings, enterprises, financial industries, and other important areas.

- Max.1500 faces capacity, and Max.3000 cards
- Face Recognition Terminal, 4.3-inch LCD touch screen, 2 Mega pixel wide-angle lens, Built-in M1 card reading module
- Two-way audio with client software, indoor station, and main station; Supports TCP/IP, Wi-Fi
- Supports ISAPI, ISUP5.0
- Configuration via the web client
- Face Recognition Distance: 0.3 m to 1.5 m; Duration < 0.2 s/User; Accuracy rate ≥ 99%
- Supports face with mask recognition
- Powers supply by standard PoE and at the same time powers supply for door lock (12 VDC/1 A)
- Supports platform-applied personal PIN and device-set personal PIN

▪ Specification

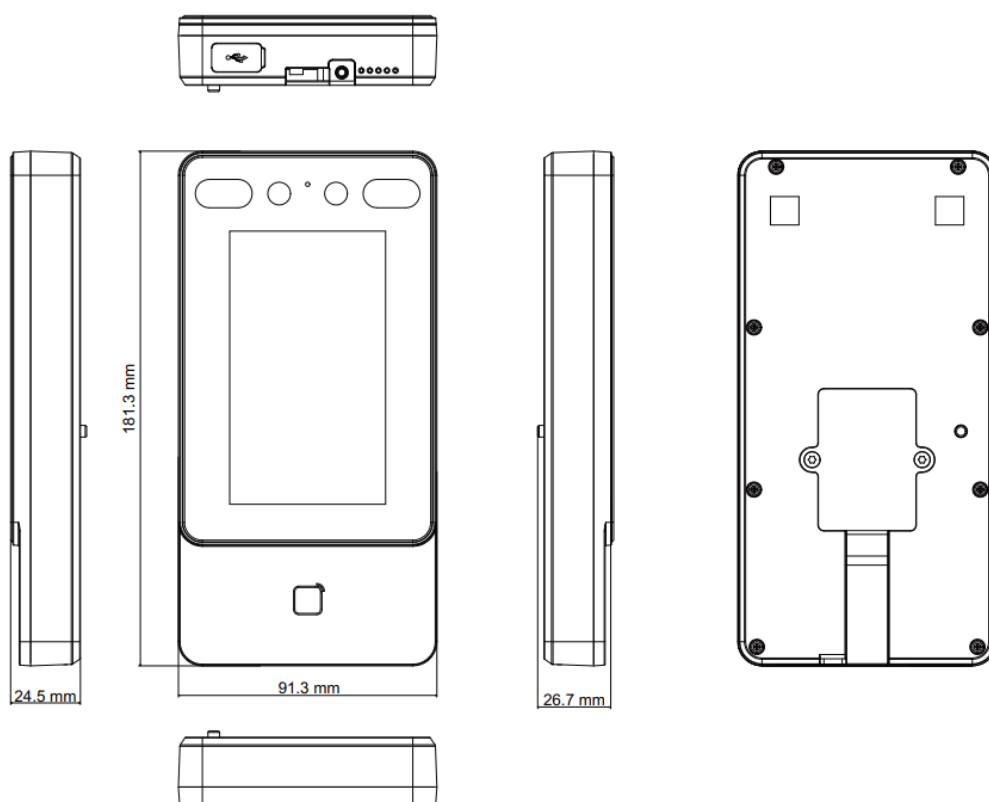
| System | |
|--------------------------------|---|
| Operation system | Linux |
| Display | |
| Dimensions | 4.3-inch |
| Resolution | 272 × 480 |
| Type | LCD |
| Operation method | Capacitive touch screen |
| Video | |
| Pixel | 2 MP |
| Lens | × 2 |
| Video standard | PAL (Default) and NTSC |
| Network | |
| Wired network | 10 M/100 M self-adaptive |
| Wi-Fi | Support |
| Interface | |
| PoE | IEEE802.3at, standard PoE |
| Network interface | 1 |
| RS-485 | 1 |
| Wiegand | 1 |
| Lock output | 1 |
| Exit button | 1 |
| Door contact input | 1 |
| TAMPER | 1 |
| USB | 1 |
| Capacity | |
| Card capacity | 3,000 |
| Face capacity | 1,500 |
| Event capacity | 150,000 |
| Authentication | |
| Card type | M1 card |
| Card reading frequency | 13.56 MHz |
| Face recognition duration | < 0.2 s |
| Face recognition accuracy rate | > 99% |
| Face recognition distance | 0.3 to 1.5 m |
| General | |
| Power supply | Power input: Power interface (power adapter included, 12 VDC/1 A) or PoE (37 to 57 VDC/0.6 A) Power output: Power supply for door lock, 12 VDC/1 A (only when the device is powered by PoE supporting powering supply for door lock) |
| Working temperature | -30 °C to 60 °C (-22 °F to 140 °F) |
| Working humidity | 0 to 90% (No condensing) |
| Dimensions | 91.3 mm × 181.3 mm × 24.5 mm (3.59" × 7.14" × 0.96") |
| Installation | Wall Mounting |

| | |
|----------------------|--|
| Protective level | IP65 |
| Weight | Gross weight: 0.93 kg (2.05 lbs) Net weight: 0.36 kg (0.79 lbs) |
| Language | English, Spanish (South America), Arabic, Thai, Indonesian, Russian, Vietnamese, Portuguese (Brazil), Korean |
| Function | |
| Face anti-spoofing | Support |
| Audio prompt | Support |
| Time synchronization | Support |

▪ **Available Model**



DS-K1T342MWX-E1

▪ **Dimension**



▪ **Accessory**

▪ **Optional**

| DS-KAB6-ZU1 | DS-KAB671-P2 | DS-KAB34X-S1 | DS-KAB6-W1 |
|---|---|---|---|
|  |  |  |  |

Headquarters

No.555 Qianmo Road, Binjiang District,
Hangzhou 310051, China
T +86-571-8807-5998
www.hikvision.com



Follow us on social media to get the latest product and solution information.

