

DHI-ARD2251E-W2(868)

Dahua Wireless External Triple-Tech Detector



Series Overview

Wireless Triple-Tech Detector performs high precision detection using PIR, microwave detection technology, optical technology and intelligent algorithms. It also eliminates interference caused by small animals, the ambient temperature and changes in the light to ensure that the detector accurately recognizes when people move, even in complex environments. When combined with the camera module, its capabilities expand allowing you to both monitor your scene through videos and images, and check alarms in real time. You also receive alarm notifications when alarms are triggered, so that you can stay up to date on the situation of your site.

Technical Specification

Function

| | |
|-----------------------|--|
| Indicator Light | 1 × green alarm indicator |
| Button | 1 × power switch; 1 × detection range adjustment switch |
| Remote Update | Cloud update |
| Low Battery Detection | Yes |
| Tamper | Tamper alarm |
| Moving detection | Yes |

Technical

| | |
|---------------------|--|
| Detection Mode | PIR + Microwave |
| Sensitivity | PIR: 3 levels adjustable |
| Detection Range | Angle:90° Range:15 m (49.21 ft), the installation height is 1 m (3.28 ft) |
| Detection Speed | 0.3 m/s–2 m/s |
| Microwave Frequency | 24 G |

- Support anti-masking detection.
- Support moving detection to prevent someone move or detach device.
- Support the installation of camera modules to form PIR-Cam to implement video verification.
- Pet immunity: up to 80 cm, 40kg.
- Support environment temperature monitoring.
- Supports two-way communication and frequency hopping to make communication with alarm hub stable and reliable.
- Features cloud update. You can also remotely update the device on the mobile app.
- Offers a dual backup system, and uses auto recovery when an update fails.

| | |
|--|---|
| Pet Immunity Level | <80 cm (2.62 ft), about 40 kg (88.19 lb) |
| White Light Resistance Level | 10,000 lux |
| Anti-masking | Yes |
| Two-way Digital Temperature Compensation | Yes |
| Scenario | Outdoor, indoor |
| Operating Current | 20 uA |
| Alarm Current | Without Camera: 26mA (Avg); 250 mA (Max) With Camera in Night: 380 mA (Avg); 1.5 A (Max) |

Wireless

| | |
|--------------------------|--|
| Carrier Frequency | 868.0 MHz–868.6 MHz |
| Transmitter Power (EIRP) | Limit 25 mW |
| Communication Mechanism | Two-way |
| Communication Distance | RF: Up to 1,600 m (5,249.34 ft) in an open space |
| Encryption Mode | AES128 |
| Frequency Hopping | Yes |

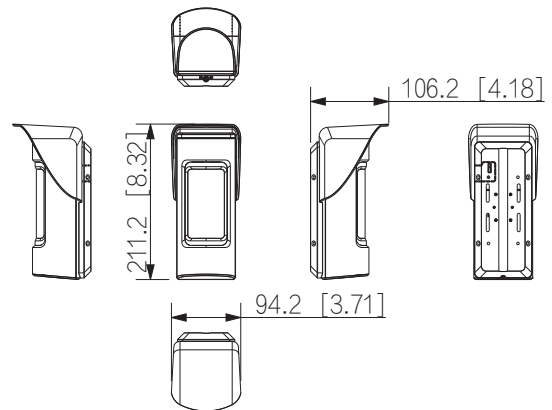
General

| | |
|-----------------------|---|
| Power Supply | CR123A × 4 |
| Battery Life | Without Camera: 5 years (triggers 10 alarms a day) With Camera: 3.5 years (triggers alarms twice a week) |
| Operating Temperature | –25 °C to +60 °C (–13 °F to +140 °F) |
| Operating Humidity | 10%–90% (RH) |
| Product Dimensions | 211 mm × 106 mm × 94 mm (8.31" × 4.17" × 3.7") |
| Installation Height | 0.8 to 1.3 m |
| Net Weight | 651 g (1.44 lb) |

Wireless Triple-Tech Detector | DHI-ARD2251E-W2(868)

| | |
|----------------------|--|
| Gross Weight | 890 g (1.96 lb) |
| Installation | Wall mount, pole mount |
| Casing Material | PC + GF |
| Protection | IP66 |
| Certifications | CE |
| Anti-corrosion Level | Basic Protection |
| Storage Temperature | -25 °C to +60 °C (-13 °F to +140 °F) |
| Packaging Dimensions | 251 mm × 116 mm × 119 mm (9.88" × 4.57" × 4.69") |

Dimensions (mm[inch])



Ordering Information

| Type | Model | Description |
|-------------------------------|----------------------|--|
| Wireless Triple-Tech Detector | DHI-ARD2251E-W2(868) | Dahua Wireless External Triple-Tech Detector |
| Accessories | DHI-ARD1130-CAM | IR CAMERA MODULE |
| | ARA34E | Detector Bracket |

Accessories

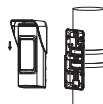
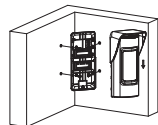
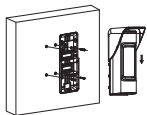
Optional:



DHI-ARD1130-CAM
IR CAMERA MODULE



ARA34E
Detector Bracket



Application

