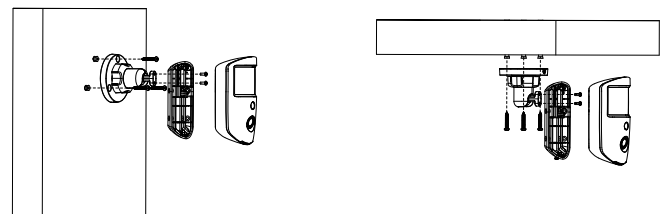


# DHI-ARA34A

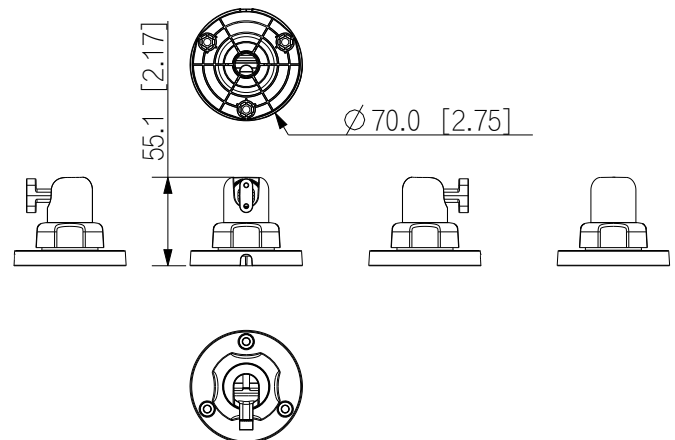
## Detector Bracket



### Installation



### Dimensions (mm[inch])



### Series Overview

Supports wall mount and ceiling mount.  
Supports adjusting the horizontal and vertical angle of the device.

### Technical Specification

#### General

Operating Temperature	-10 °C to +55 °C (+14 °F to +131 °F)
Operating Humidity	10%–90% (RH)
Product Dimensions	φ70.0 mm × 55.1 mm (φ2.76" × 2.17")
Net Weight	45 g (0.10 lb)
Gross Weight	129 g (0.28 lb)
Installation	Wall mount; ceiling mount
Rotation Angle	Wall mount: Horizontal: ±90°, vertical: ±50° Ceiling mount: Horizontal: ±180°, vertical: ±90°
Material	PC and aluminum alloy
Applicable Model	ARD1731 series
Anti-corrosion Level	Basic protection
Storage Temperature	-10 °C to +55 °C (+14 °F to +131 °F)
Packaging Dimensions	127 mm × 88 mm × 79 mm (5.00" × 3.46" × 3.11")