

Thermal

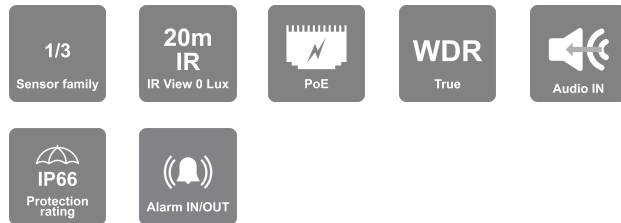
The advantages of cameras in the thermal series are apparent: they don't depend on light conditions, provide constant imaging any time of day, and can penetrate haze and fog. They're your all-weather, all-area, round-the-clock heat detector that can spot fire, monitor temperature, and even catch camouflaged people and vehicles when entering areas considered off-limits.



BMH-THERMAL-3-V2

Thermal/Optical Bi-Spectrum Fixed Lens Bullet Camera

Ideal for fire detection, temperature monitoring, and security surveillance, this 5MP Thermal camera can detect, alert and provide **Thermal** complete situational awareness in the most challenging environments. The BMH-THERMAL-3 incorporates an optic lens and a thermal module, allowing operators to monitor large areas in total darkness, glaring light, and adverse weather by combining thermal and visible light images. Equipped with our DDA™ Analytics (Detect, Distinguish, Alert) and active deterrence mechanisms (white strobe light and speaker), the BMH-THERMAL-3 delivers a strong and impactful tool for any installation.



MAIN FEATURES

- BMH-THERMAL-3-V2
- Optical Sensor: 1/2.7" CMOS
- Optical Resolution: 2592×1944 25/30FPS (5MP)
- Thermal Sensor: 12µm Vanadium oxide uncooled focal plane detector
- Thermal Resolution: 256×192
- Temperature Range: -20° ~ 150° C
- Lens: Optical: 4mm (74°) Thermal: 3.2mm (53°)
- True Day&Night – ICR
- Illumination: 20m (2 High-Power IR LED) + White Strobe light
- Compression: H.265/H.264/MJPEG
- Quantum IoT Nano agent by Check Point™
- General Analytics: Item Monitoring
- AI (Optical Image): DDA Sterile Area, DDA Line Crossing, DDA Object Counting (Line), DDA Object Counting (Area), DDA Loitering Detection, DDA Illegal Parking Detection, Face Detection, DDA Area Entry, DDA Area Exit
- AI (Thermal): DDA Sterile Area, DDA Line Crossing, DDA Area Entry, DDA Area Exit
- True WDR (120dB), BLC, HLC, ROI
- SD Card: Event/Schedule Record (Up to 256Gb)
- Alarm in + Alarm out
- Built-in speaker + Audio input
- ONVIF: Profile M/T/S/G
- Water Proof: IP66
- Weight: ~800g
- Power: DC12V/~650mA / PoE/~10W



<https://provision-isr.com>

SPECIFICATIONS

Video	
Image Sensor	1/2.7" CMOS
Effective Pixels	2592x1944
Electronic Shutter	1/23s ~ 1/100000s
Day & Night	ICR
Min. Illumination	Day: 0.1lux / Night: 0.02lux (@F1.6, AGC on) 0lux with IR on
Video (Thermal)	
Detector Type	12µm Vanadium oxide uncooled focal plane detector
Temperature Range	-20° ~ 150° C
Spectral Range	8µm-14µm
Thermal Sensitivity (NETD)	≤50mK(@25°C, F#=1.0)
Color Sets	Black hot, White hot, Rainbow, iron oxide red, Lava Fusion image support
Temperature Detection Distance	3.5m (Object size is 0.1m * 0.1m) In Theory: when the size of the object is doubled - the detection distance is also doubled
Fire Detection Distance	11m (Flame size is 0.1m * 0.1m) In Theory: when the size of the flame is doubled - the detection distance is also doubled
DRI Distance Human	Detection: 133m(436ft) Recognition: 33m(108ft) Identification:17m(56ft)
DRI Distance Vehicle	Detection: 409m (1342ft) Recognition: 102m(335ft) Identification:51m(167ft)
NDAA Compliant	
NDAA Compliant	Yes
Lens	
Lens (Field of View)	Optical: 4mm (74°) Thermal: 3.2mm (53°)
Iris	Fixed Iris
Lens Mount	M12 Mount
Image	
Image Settings	AWB, AGC Adjustable, Exposure Mode (Auto) Sharpness, Saturation, Brightness & Contrast Adjustable, Lens distortion correction

Image Enhancement	True WDR (120dB), BLC, HLC, ROI
Noise Reduction	3D-DNR
Image Orientation	Mirror/Flip
Privacy Zone	Yes

Housing

Bracket	3-Axis Bracket
Illumination	20m (2 High-Power IR LED) White Strobe light
PoE	Yes
Power Supply	DC12V/~650mA / PoE/~10W
Protection Rate	Water Proof: IP66
Work Environment	-30°C~60°C, 10%~90% Humidity
Dimensions	220.8x79.4x81.2mm
Weight (gross)	~800g
Hard Reset Button	Yes

Network

Remote Monitoring	IE Browsing, Ossia VMS Software, Provision Cam2 Mobile App
User Access	Supports simultaneous monitoring of up to 10 users with multi-stream real-time transmission
Network Protocol	IPv4, IPv6, TCP, UDP, DHCP, NTP, DDNS, 802.1X, RTSP, Multicast, UPnP, Email, FTP, HTTPS, QoS, RTMP, HTTP POST, P2P
ONVIF	Profile M/T/S/G
Ethernet	100Mbps

Events and Analytics

Analytics	General Analytics: Item Monitoring AI (Optical Image): DDA Sterile Area, DDA Line Crossing, DDA Object Counting (Line), DDA Object Counting (Area), DDA Loitering Detection, DDA Illegal Parking Detection, Face Detection, DDA Area Entry, DDA Area Exit AI (Thermal): DDA Sterile Area, DDA Line Crossing, DDA Area Entry, DDA Area Exit
Motion Detection	Yes

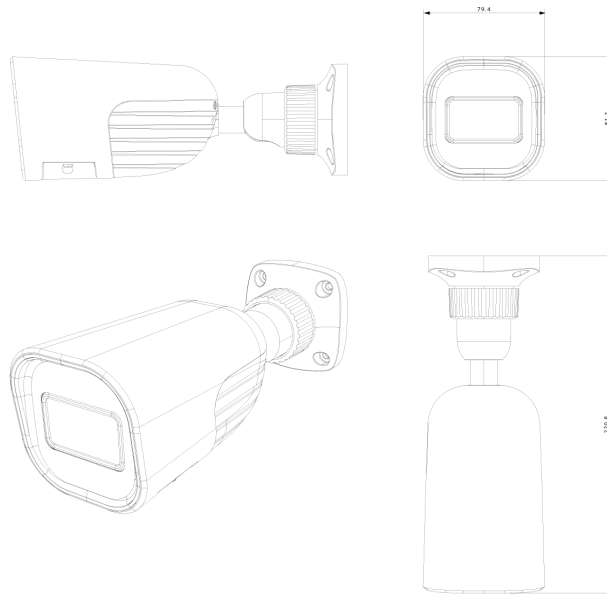
Connectivity	
Network	RJ45 (+PoE)
Audio Connectivity	Built-in speaker + Audio input
Alarm	Alarm in + Alarm out
SD Card	Event/Schedule based Main/Substream recording (Up to 256Gb)
Power	PoE / DC Socket
Analog Video Output	No

Compression	
Video Compression	H.265/H.264/MJPEG
Frame Rate	1-25/30FPS
Resolution	256x192
Multi-Stream	Master Stream: 5MP(2592x1944) / 4MP(2592x1520) / 2K (2560x1440) / 3MP / 2MP / 1MP Substream: 1MP / D1 / CIF / QCIF Third Stream: D1 / CIF / QCIF (1~30fps) Thermal Stream: 1MP / D1 / CIF / QCIF
Bit Rate	64Kbps ~ 11Mbps@H.265 / 64Kbps ~ 11Mbps@H.264
Encode Mode	VBR/CBR
Image Quality	Five levels under VBR; Free adjustment under CBR

Audio	
Audio compression	G.711A/G.711U
Communication	2-Way Audio

3rd Party Cyber Protection	
General	Quantum IoT Nano agent by Check Point™
Protection Methods	Shell injection protection, File Monitor, Import-Table Protection, Dynamic-Memory Protection

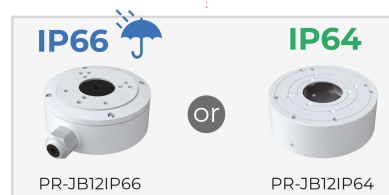
DIMENSIONS



ACCESSORIES



+



+

