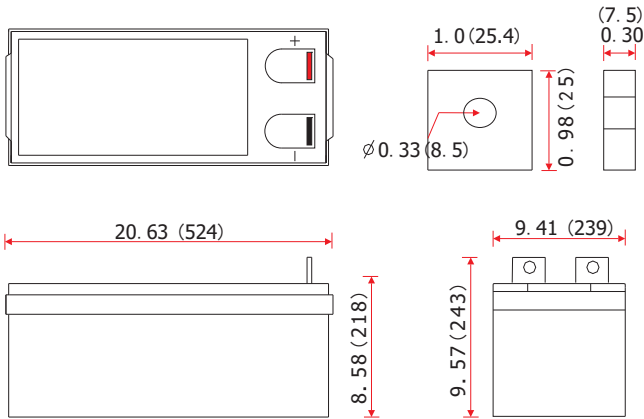


Unit:inch(mm)

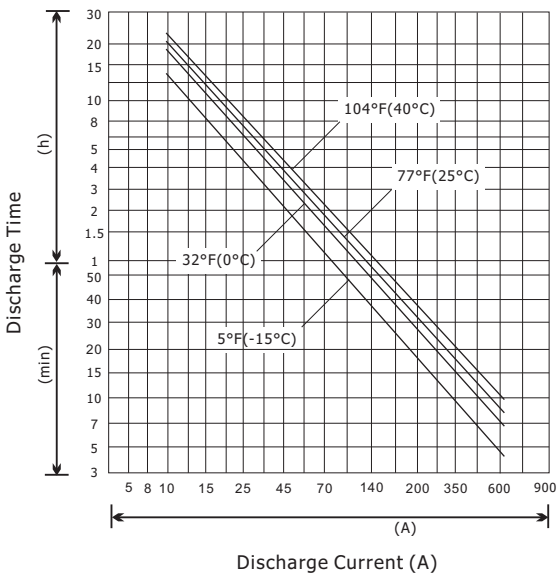


FB200-12G

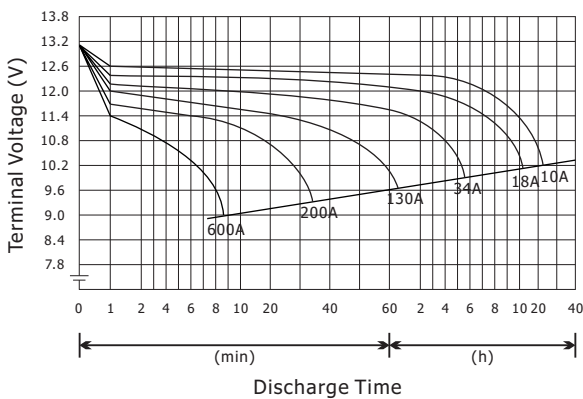


GEL VRLA

■ Discharge Current and Discharge Duration Time



Discharge Curves 77°F(25°C)



■ Specification

Nominal Voltage	12V	
Rated Capacity (20hr Rate)	200Ah	
Dimensions	Length	20.63inches (524mm)
	Width	9.41inches (239mm)
	Height	8.58inches (218mm)
	Total Height	9.57inches (243mm)
Weight	Approx. 136.28lbs (61.82kg)	

■ Characteristics

Capacity 77°F(25°C)	20hour rate (10.0A)	200Ah
	10hour rate (18.0A)	180Ah
	5hour rate (34.0A)	170Ah
	1hour rate (130A)	130Ah
Internal Resistance	Full Charged, 77°F(25°C)	4mΩ
Capacity Affected By Temperature (10hr Rate)	104°F(40°C)	102%
	77°F(25°C)	100%
	32°F(0°C)	85%
	5°F(-15°C)	65%
Self-Discharge 77°F(25°C)	Capacity after 3 month storage	90%
	Capacity after 6 month storage	80%
	Capacity after 9 month storage	60%
Charge (Constant Voltage)	Initial Charge Current "LESS" than 60A	
	Cycle	14.2-14.5V / 77°F(25°C)
	Stand By	13.4-13.7V / 77°F(25°C)

**These data are average values obtained from three Charge/Discharge cycles. Note: These are NOT minimum values.

Constant Current Discharge Characteristics Unit:A (25°C, 77°F)

F.V/Time	5MIN	10MIN	15MIN	30MIN	1HR	2HR	3HR	5HR	8HR	10HR	20HR
9.6V	748	514	394	242	140	79.8	58	37.2	24.6	20.2	10.8
10.0V	692	484	374	234	138	78.4	57.2	36.6	24.2	19.9	10.5
10.2V	664	472	366	232	136	77.8	56.8	36.4	24	19.7	10.3
10.5V	610	444	350	226	133	76.8	55.8	35.8	23.6	19.4	10
10.8V	552	412	328	218	130	75.2	54.6	35	23	19.2	9.8
11.1V	484	370	304	206	127	73.2	53	34.2	22.6	18.8	9.5

Constant Power Discharge Characteristics Unit:W (25°C, 77°F)

F.V/Time	5MIN	10MIN	15MIN	30MIN	1HR	2HR	3HR	5HR	8HR	10HR	20HR
9.6V	8046	5676	4446	2732	1604	918	670	432	286	234	122
10.0V	7380	5318	4188	2650	1570	906	656	426	282	230	121
10.2V	7032	5156	4072	2612	1556	898	650	422	280	228	120
10.5V	6484	4840	3862	2534	1526	882	640	416	276	226	119
10.8V	5854	4456	3630	2436	1492	864	626	406	270	222	118
11.1V	5202	4048	3396	2330	1450	844	612	396	264	218	114

