

## IP SMART-SIGHT SERIES

Provision-ISR SMART-SIGHT Series includes high performances AI CAMERAS, designed for specific purposes and applications. All the devices' components (from the sensor, to the optics, through the CPU and even the lighting) were especially selected to deliver the most accurate AI result for the required application.



# TW-320FR-MVF2

## 2MP FACE DETECTION/RECOGNITION MOTORIZED VARIFOCAL LENS BULLET CAMERA

Equipped with a 7-22mm motorized lens, this 2MP face detection and recognition camera has been designed for special requirements such as attendance control, tracking by face, vip greetings and more. Thanks to its advanced algorithm and strong processor, TW-320FR-MVF2 camera makes an ideal solution for scenarios where facial recognition is required.



**SMART FACE**  
FACE RECOGNITION CAMERAS



### MAIN FEATURES

- 2MP
- 1920x1080 Resolution
- 7-22mm Motorized Vari-Focal (44°-17.6° )
- 3D-DNR
- Face Recognition
- Face Detection
- Two-way audio

### ANALYTICS

- General Analytics: Camera Tampering
- AI Analytics: Face Detection, Face Recognition\*\*\*



## SPECIFICATIONS

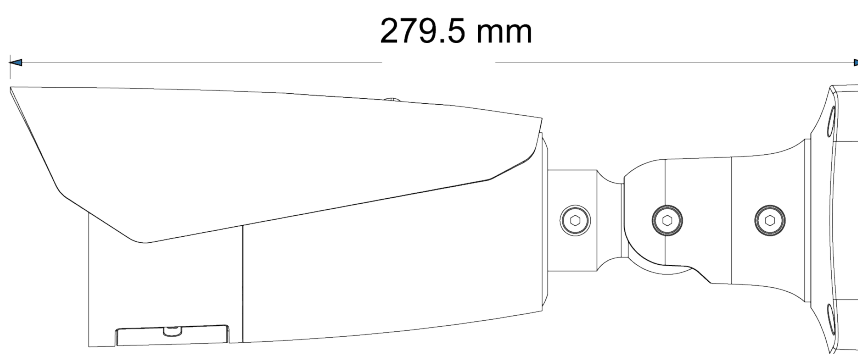
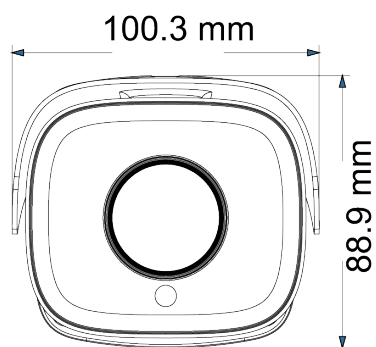
Image Sensor	1/2.8" CMOS (16:9)
Effective Pixels	1920x1080
Electronic Shutter	1/3s ~ 1/10000s
Frame Rate	1-25/30FPS In Normal Mode. 1-50/60FPS in HFR Mode
Day & Night	ICR
Min. Illumination	Day: 0.0026lux / Night: 0.001lux (@F1.4, AGC On)
Audio compression	G.711A/G.711U
Communication	Two-way audio
Image Settings	AWB, AGC Adjustable, Exposure Mode (Auto), Sharpness, Saturation, Brightness & Contrast Adjustable
Image Enhancement	True WDR (120dB), BLC, HLC, ROI
Noise Reduction	3D-DNR
Image Orientation	Mirror/Flip
Privacy Zone	Yes
Motion Detection	Yes
Analytics	General Analytics: Camera Tampering AI: Face Detection, Face Recognition***
Face database	Up to 10000 faces*** Add face via WEB or VMS***
Triggers	Alarm output for allow/black lists***
Recognition per second	Up to 10 face detections and 3 face recognitions per second***
Recognition distance	Recommended distance: 60cm - 12m distance***
Video Compression	H.265 / H.264 / MJPEG**
Resolution	1080P (1920x1080), 720P (1280x720), D1, CIF, 480x240
Multi-Stream	1920x1080(1~30fps) / 1280x720(1~30fps) / D1(1~30fps) / CIF(1~30fps) / 480x240(1~30fps) / IF(1~30fps)
Bit rate	64Kbps ~ 12Mbps@H.265 / 128Kbps ~ 12Mbps@H.264
Encode Mode	VBR/CBR
Image Quality	Five levels under VBR; Free adjustment under CBR

\*\*Sub-Streams Only, \*\*\*Future development

## SPECIFICATIONS

IR Distance	10m white led light
Lens (Field of View)	7-22mm MVF with Auto Focus (44°- 17.6°)
Iris	Fixed Iris (@F1.4)
Lens Mount	Φ14
Protection Rate	Water Proof: IP67
Bracket	3-Axis Bracket
Dimensions	279.5x100.3x88.9mm
Weight (gross)	~1040g
Network	RJ45 (+PoE)
Power	DC Socket
Analog Video Output	CVBS Out + Technician Port
Audio Connectivity	1Ch Input, 1Ch Output
SD Card	Support Event recording over TF (128GB Max)
Hard Reset Button	Yes
Alarm	Alarm in + Alarm Out
Remote Monitoring	IE Browsing, VMS Software, Provision Cam2 Mobile App
User Access	Supports simultaneous monitoring for up to 4 users with multi-stream real time transmission
Network Protocol	TCP/IP, UDP, DHCP, NTP, RTSP, PPPoE, DDNS, SMTP, FTP, SNMP
ONVIF	Yes
Ethernet	100Mbps
PoE	Yes
Power Supply	DC12V~320mA / AC24V~160mA / PoE~6W
Work Environment	-10C°~50C°, 10%~90% Humidity
Junction Box	PR-JB14IP66 - PR-JB14IP64

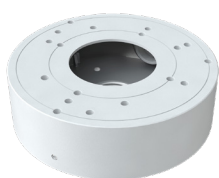
## DIMENSIONS



## ACCESSORIES



PR-JB14IP66



PR-JB14IP64