

NDA S-SIGHT

Provision-ISR S-SIGHT series provides you with all you need for a simple installation. S-Sight cameras guarantee superior image quality, improved night performance and make an outstanding value-for-money solution.



DI-320IPSN-28-V2

20M IR 2MP FIXED LENS DOME/TURRET CAMERA

Equipped with a wide-angle 2.8mm fixed lens, this 2MP dome/turret camera is designed for short-distance surveillance (up to 20m) in indoor and outdoor scenarios. With its outstanding performance, reliability, and affordable price, the DI-320IPSN-28-V2 camera is the perfect solution for basic installations.



NDA A
Compliance



MAIN FEATURES

- 2MP
- S-SIGHT
- 1920x1080 Resolution
- Wide field of view 107°
- 3D-DNR
- IP67

ANALYTICS

- General Analytics: Camera Tampering
- Standard Analytics: Line Crossing, Sterile Area



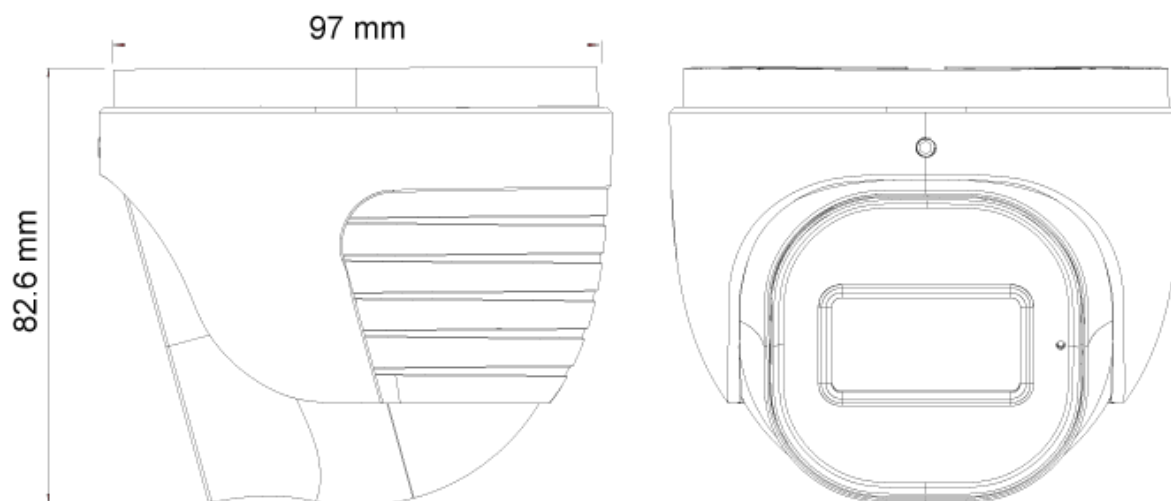
SPECIFICATIONS

Image Sensor	1/2.8" CMOS (16:9)
Effective Pixels	1920x1080
Electronic Shutter	1/25s ~ 1/100000s
Frame Rate	1-25/30FPS
Day & Night	ICR
Min. Illumination	Day: 0.1lux / Night: 0.009lux (@F1.6, AGC on) 0lux with IR on
Audio compression	G.711A/G.711U
Communication	One-way Audio
Image Settings	AWB, AGC Adjustable, Exposure Mode (Auto) Sharpness, Saturation, Brightness & Contrast Adjustable
Image Enhancement	True WDR (120dB), BLC, HLC, ROI
Noise Reduction	3D-DNR
Image Orientation	Mirror/Flip
Privacy Zone	Yes
Motion Detection	Yes
Analytics	General Analytics: Camera Tampering Standard Analytics: Line Crossing, Sterile Area
Video Compression	H.265 / H.264 / MJPEG (Substream only)
Resolution	2MP (1920x1080) / D1 (704x576) / QVGA (480x240) / CIF (352x288)
Multi-Stream	Master Stream: 2MP (1920x1080) / 1MP (1280x720) (1~30fps) Substream: QVGA/D1/CIF (1~30fps)
Bit rate	64Kbps ~ 4Mbps@H.265 / 64Kbps ~ 6Mbps@H.264
Encode Mode	VBR/CBR
Image Quality	Five levels under VBR; Free adjustment under CBR
IR Distance	20m (1 High-Power IR LED)
Lens (Field of View)	2.8mm (107°)

SPECIFICATIONS

Iris	Fixed Iris
Lens Mount	M12 mount
Protection Rate	Water Proof: IP67
Bracket	3-Axis Bracket
Dimensions	Ø97mm×82.6mm
Weight (gross)	~450g
Network	RJ45 (+PoE)
Power	DC Socket
Analog Video Output	No
Audio Connectivity	Built-in Microphone
SD Card	Event/Schedule based Main/Substream recording (Up to 128Gb)
Hard Reset Button	Yes
Alarm	No
Remote Monitoring	IE Browsing, VMS Software, Provision Cam2 Mobile App
User Access	Supports simultaneous monitoring of up to 3 users with multi-stream real-time transmission
Network Protocol	IPv4, IPv6, TCP, UDP, DHCP, NTP, DDNS, 802.1X, RTSP, Multicast, UPnP, Email, FTP, HTTPS, QoS
ONVIF	Yes
Ethernet	100Mbps
PoE	Yes
Power Supply	DC12V/~420mA / PoE/~5.4W
Work Environment	-30°C~60°C, 10%~90% Humidity
Junction Box	PR-JB12IP66 - PR-JB12IP64

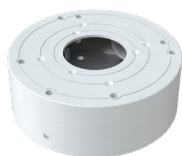
DIMENSIONS



ACCESSORIES



PR-JB12IP66



PR-JB12IP64