

RAINBOW SERIES

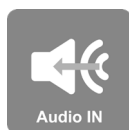
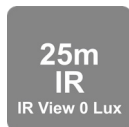
Provision-ISR's Rainbow cameras, equipped with CNV (Color Night Vision) technology, yield sharp and superior colors even in poor light conditions, providing visual details that significantly contribute to identifying people or objects.



BSV-320SRN-36

2MP 24/7 FULL-COLOR FIXED LENS BULLET CAMERA

The rainbow camera series is equipped with super light-sensitive sensors that allow the camera to provide a color image throughout the day. When the ambient light is insufficient, the camera will turn on the integral lighting, allowing it to continue providing a full-color image. With its outstanding performance, reliability, and affordable price, the BSV-320SRN-36 camera is the perfect solution for indoor/outdoor installations.



MAIN FEATURES

- 2MP
- RAINBOW
- S-SIGHT
- 1920x1080 Resolution
- 3D-DNR
- IP67
- Audio in + Built-in microphone

ANALYTICS

- General Analytics: Camera Tampering
- Standard Analytics: Line Crossing, Sterile Area



SPECIFICATIONS

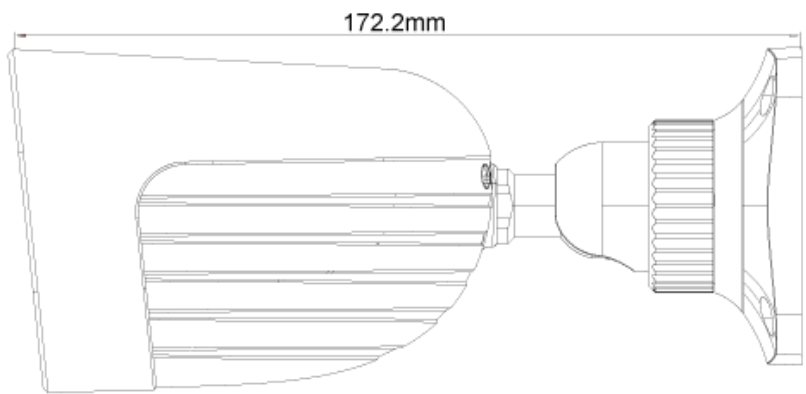
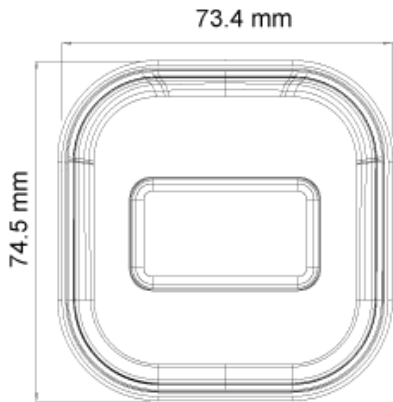
Image Sensor	1/2.8" CMOS (16:9)
Effective Pixels	1920x1080
Electronic Shutter	1/25s ~ 1/100000s
Frame Rate	1-25/30 FPS
Min. Illumination	0 lux (LED on)
D&N	24/7 Full-Color Day Mode
Audio Compression	G.711A/G.711U
Communication	One-way Audio
Image Settings	AWB, AGC Adjustable, Exposure Mode (Auto) Sharpness, Saturation, Brightness & Contrast Adjustable
Image Enhancement	True WDR (120dB), BLC, HLC, ROI
Noise Reduction	3D-DNR
Image Orientation	Mirror/Flip
Privacy Zone	Yes
Motion Detection	Yes
Analytics	General Analytics: Camera Tampering Standard Analytics: Line Crossing, Sterile Area
Video Compression	H.265 / H.264 / H.265+ / H.264+ / MJPEG*
Resolution	2MP / 1MP / D1 (704x576) / QVGA (480x240) / CIF (352x288)
Multi-Stream	Master Stream: 2MP (1920x1080) / 1MP (1280x720) (1~30fps) Substream: QVGA/D1/CIF Third Stream: QVGA/D1/CIF (1~30fps)
Bit rate	64Kbps ~ 4Mbps@H.265 / 64Kbps ~ 6Mbps@H.264
Encode Mode	VBR/CBR
Image Quality	Five levels under VBR; Free adjustment under CBR
IR Distance	25m (2 High-Power White LED)
Lens (Field of View)	3.6mm (84.6°)

* Substreams only

SPECIFICATIONS

Iris	Fixed Iris (F1.0)
Lens Mount	M12 mount
Protection Rate	Water Proof: IP67
Bracket	3-Axis Bracket
Dimensions	172.2x73.4x74.5mm
Weight (gross)	~390g
Network	RJ45 (+PoE)
Power	DC Socket
Analog Video Output	No
Audio Connectivity	Built-in Microphone
SD Card	Event/Schedule based Main/Substream recording (Up to 128Gb)
Hard Reset Button	Yes
Alarm	No
Remote Monitoring	Web Browsing, Ossia VMS Software, Provision Cam2 Mobile App
User Access	Supports simultaneous monitoring of up to 3 users with multi-stream real-time transmission
Network Protocol	IPv4, IPv6, TCP, UDP, DHCP, NTP, DDNS, 802.1X, RTSP, Multicast, UPnP, Email, FTP, HTTPS, QoS, P2P
ONVIF	Yes
Ethernet	100Mbps
PoE	Yes
Power Supply	DC12V/~420mA / PoE/~5.4W
Work Environment	-30°C~60°C, 10%~90% Humidity
Junction Box	PR-JB12IP66 - PR-JB12IP64

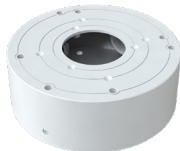
DIMENSIONS



ACCESSORIES



PR-JB12IP66



PR-JB12IP64