

# I4-340IPEN-MVF-V4

## 40m IR 4MP DDA2 Analytics Motorized Vari-Focal Lens Medium Bullet Camera With Built-in Check Point Protection and Dual System technology

Equipped with a 2.8-12mm motorized lens, this 4MP camera is designed for medium-distance surveillance (up to 40m) in indoor and outdoor scenarios. Fitted with the new "Dual System" technology, the camera can deal with internal anomalies independently, making it more redundant to software-based issues. The camera offers broad possibilities for Analytics, from Face Detection to the outstanding DDA Analytics (Detect, Distinguish, Alert) and the newly developed DDA2, which can perform object recognition, object counting, and investigate specifics such as age, color, gender, vehicle brand and much more. The I4-340IPEN-MVF-V4 camera is here to end false alarms. Check Point Quantum IoT Nano agent is integrated into this model. It provides an advanced threat prevention layer against the common attack vectors at runtime.



<b>1/3</b> Sensor family	<b>2.8-12 mm</b> Lens	<b>40m IR</b> IR View 0 Lux	<b>PoE</b>	<b>WDR</b> True
<b>Audio IN</b>	<b>Audio OUT</b>	<b>Build-In Mic</b>	<b>IP67</b> Protection rating	<b>Alarm IN/OUT</b>

<b>DDA 2<sup>nd</sup></b> ANALYTICS	<b>Infra Red</b>	<b>face</b> detection
<b>NDA</b>	<b>MOTORIZED LENS</b>	<b>ONVIF</b> T S G

## MAIN FEATURES

- I4-340IPEN-MVF-V4
- Sensor: 1/3" CMOS (16:9)
- Resolution: 2592×1520 25/30FPS (4MP)
- Lens: 2.8-12mm MVF with Auto Focus (100°-29°)
- True Day&Night - ICR
- Illumination: 40m (2 High-Power IR LED)
- Compression: H.265+/ H.264+ / H.265 / H.264 / MJPEG
- Quantum IoT Nano agent by Check Point™
- General Analytics: Camera Tampering
- AI (Object Recognition): DDA Sterile Area, DDA Line Crossing, DDA Object Counting (Line), DDA Object Counting (Area)
- AI (Face Detection): 10 Faces per frame
- AI: Heatmap
- DDA2: Advanced Object Classification
- True WDR (120dB), BLC, HLC, ROI
- SD Card: Event/Schedule Record (Up to 256Gb)
- Alarm in + Alarm out
- Built-in Microphone + Audio input + Audio output
- ONVIF: Profile T/S/G
- Water Proof: IP67
- Weight: ~820g
- Power: DC12V/~650mA / PoE/~9.5W



## SPECIFICATIONS

3rd Party Cyber Protection	
<b>General</b>	Quantum IoT Nano agent by Check Point™
<b>Protection Methods</b>	Shell injection protection, File Monitor, Import-Table Protection, Dynamic-Memory Protection
NDA Compliant	
<b>NDA Compliant</b>	Yes
Video	
<b>Image Sensor</b>	1/3" CMOS (16:9)
<b>Effective Pixels</b>	2592×1520
<b>Electronic Shutter</b>	1/2s ~ 1/100000s
<b>Day &amp; Night</b>	ICR
<b>Min. Illumination</b>	Day: 0.1lux / Night: 0.005lux (@F1.6, AGC on) 0lux with IR on
Audio	
<b>Audio compression</b>	G.711A/G.711U
<b>Communication</b>	One-Way Audio
Image	
<b>Image Settings</b>	AWB, AGC Adjustable, Exposure Mode (Auto) Sharpness, Saturation, Brightness & Contrast Adjustable
<b>Image Enhancement</b>	True WDR (120dB), BLC, HLC, ROI
<b>Noise Reduction</b>	3D-DNR
<b>Image Orientation</b>	Mirror/Flip, Corridor Mode
<b>Privacy Zone</b>	Yes
Events and Analytics	
<b>Analytics</b>	General Analytics: Camera Tampering AI (Object Recognition): DDA Sterile Area, DDA Line Crossing, DDA Object Counting (Line), DDA Object Counting (Area) AI (Face Detection): 10 Faces per frame AI: Heatmap DDA2: Advanced Object Classification
<b>Motion Detection</b>	Yes
Compression	

<b>Resolution</b>	4MP (2592x1520) / 3MP (2304x1296) / 2MP (1920x1080) / D1 / QVGA / CIF
<b>Frame Rate</b>	1-25/30FPS in Normal Mode. 1-50/60FPS in HFR Mode**
<b>Video Compression</b>	H.265+/ H.264+ / H.265 / H.264 / MJPEG**
<b>Multi-Stream</b>	Master Stream: 4MP(2592x1520) / 2K (2560x1440) / 3MP / 2MP / 1MP Substream: 1MP/QVGA/D1/CIF Third Stream: QVGA/D1/CIF (1~30fps)
<b>Bit Rate</b>	64Kbps ~ 7Mbps@H.265 / 64Kbps ~ 8Mbps@H.264
<b>Encode Mode</b>	VBR/CBR
<b>Image Quality</b>	Five levels under VBR; Free adjustment under CBR

Lens	
<b>Lens (Field of View)</b>	2.8-12mm MVF with Auto Focus (100°-29°)
<b>Iris</b>	DC Iris
<b>Lens Mount</b>	Ø14 Mount
<b>Detect</b>	2.8~12mm(W): 58.91m(193.27ft) - 2.8~12mm(T): 205.99m(675.82ft)
<b>Recognize</b>	2.8~12mm(W) 11.78m(38.74ft) 2.8~12mm(T) 41.20m(119.32ft)
<b>Identify</b>	2.8~12mm(W) 5.89m(19.35ft) 2.8~12mm(T) 20.60m(59.64ft)

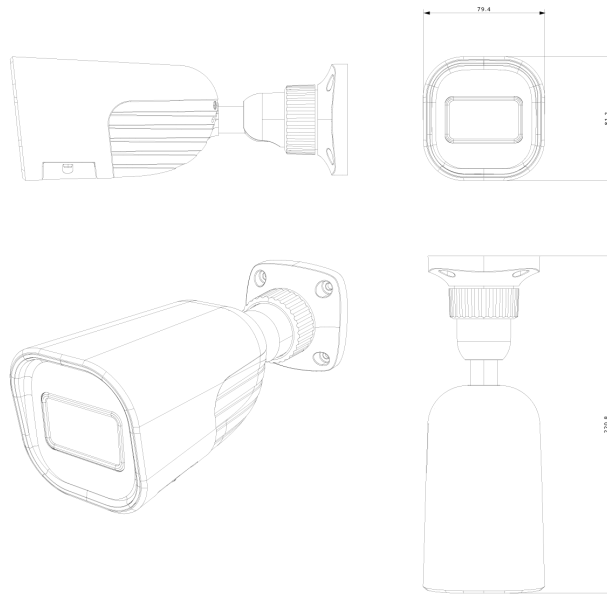
Network	
<b>User Access</b>	Supports simultaneous monitoring of up to 8 users with multi-stream real-time transmission
<b>Network Protocol</b>	IPv4, IPv6, TCP, UDP, DHCP, NTP, DDNS, SNMP, 802.1X, RTSP, RTMP, Multicast, UPnP, Email, FTP, HTTPS, QoS, P2P, HTTP POST, Auto Report
<b>Remote Monitoring</b>	IE Browsing (Plug-In required), Chrome/Edge/Safari/Firefox plug-in free browsing, Ossia VMS Software, Provision Cam2 Mobile App
<b>Ethernet</b>	100Mbps
<b>ONVIF</b>	Profile T/S/G

Connectivity	
<b>Network</b>	RJ45 (+PoE)
<b>Audio Connectivity</b>	Built-in Microphone + Audio input + Audio output

# I4-340IPEN-MVF-V4

<b>Alarm</b>	Alarm in + Alarm out
<b>SD Card</b>	Event/Schedule based Main/Substream recording (Up to 256Gb)
<b>Wiegand</b>	No
<b>Power</b>	DC Socket
<b>Analog Video Output</b>	No
<b>Housing</b>	
<b>PoE</b>	Yes
<b>Illumination</b>	40m (2 High-Power IR LED)
<b>Power Supply</b>	DC12V/~650mA / PoE/~9.5W
<b>Protection Rate</b>	Water Proof: IP67
<b>Work Environment</b>	-30°C~60°C, 10%~90% Humidity
<b>Bracket</b>	3-Axis Bracket
<b>Dimensions</b>	220.8x79.4x81.2mm
<b>Weight (gross)</b>	~820g
<b>Hard Reset Button</b>	Yes

## DIMENSIONS



## ACCESSORIES

