

## DS-2CE76D0T-EXLPF 2 MP Smart Hybrid Light Indoor Fixed Turret Camera



- High quality imaging with 2 MP, 1920 × 1080 resolution
- Smart-Hybrid light, optimize your security with flexible lighting options
- 2.8 mm, 3.6 mm fixed focal lens
- Up to 20 m IR distance for bright night imaging
- Up to 20 m white light distance for bright night imaging
- One port for 4 switchable signals (TVI/AHD/CVI/CVBS)

## ▪ Specification

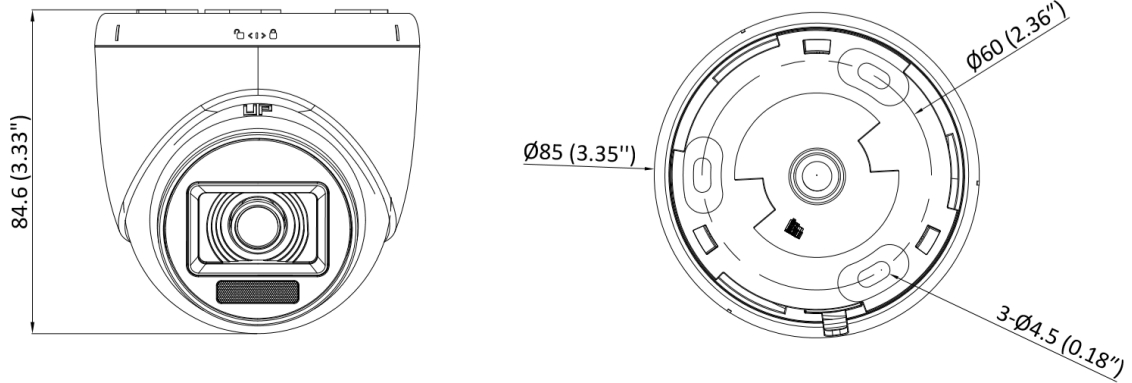
| Camera                   |   |
|--------------------------|---|
| Image Sensor             | 2 MP CMOS   |
| Max. Resolution          | 1920 (H) × 1080 (V)   |
| Min. Illumination        | 0.02 Lux @ (F2.2, AGC ON), 0 Lux with IR  |
| Shutter Time             | PAL: 1/25 s to 1/50,000 s; NTSC: 1/30 s to 1/50,000 s   |
| Day & Night              | ICR   |
| Angle Adjustment         | Pan: 0 to 360°, Tilt: 0 to 75°, Rotate: 0 to 360°   |
| Signal System            | PAL/NTSC  |
| Lens                     |   |
| Lens Type                | 2.8 mm, 3.6 mm fixed focal lens   |
| Focal Length & FOV       | 2.8 mm, horizontal FOV: 97°, vertical FOV: 54°, diagonal FOV: 113°<br>3.6 mm, horizontal FOV: 77°, vertical FOV: 43°, diagonal FOV: 90° |
| Lens Mount               | M12   |
| Illuminator              |   |
| Supplement Light Type    | White Light,IR  |
| Supplement Light Range   | IR : Up to 20 m<br>White Light : Up to 20 m   |
| Image                    |   |
| Image Parameters Switch  | STD/HIGH-SAT/HIGHLIGHT  |
| Image Settings           | Brightness, Sharpness, Smart IR   |
| Frame Rate               | TVI: 1080p @ 30 fps, 1080p @ 25 fps<br>AHD: 1080p @ 30 fps, 1080p @ 25 fps<br>CVI: 1080p @ 30 fps, 1080p @ 25 fps<br>CVBS: PAL/NTSC     |
| Wide Dynamic Range (WDR) | Digital WDR   |
| Image Enhancement        | DWDR/BLC/HLC/Global   |
| White Balance            | Auto/Manual   |
| AGC                      | Yes   |
| Interface                |   |
| Video Output             | Switchable TVI/AHD/CVI/CVBS   |
| General                  |   |
| Material                 | Plastic   |
| Dimension                | Ø85 mm × 84.6 mm (3.35" × 3.33")  |
| Weight                   | Max. 150 g (0.33 lb.)   |
| Operating Condition      | -40 °C to 60 °C (-40 °F to 140 °F). Humidity: 90% or less (non-condensation)  |
| Communication            | HIKVISION-C   |
| Language                 | English   |
| Power Supply             | 12 VDC ± 25%, Max. 3.5 W<br>*You are recommended to use one power adapter to supply the power for one camera.                           |

## ▪ Available Model

DS-2CE76D0T-EXLPF(2.8mm)

DS-2CE76D0T-EXLPF(3.6mm)






▪ **Dimension**



Unit: mm (inch)

▪ **Accessory**

▪ **Optional**

| DS-1272ZJ-110-TRS<br>Wall mount   | DS-1275ZJ-SUS<br>Vertical pole mount  | DS-1276ZJ-SUS<br>Corner mount   | DS-1280ZJ-XS<br>Junction box  | DS-2280ZJ<br>Wall mount   |
|---|---|---|---|---|
|  |  |  |  |  |



**Headquarters**

No.555 Qianmo Road, Binjiang District,  
Hangzhou 310051, China  
T +86-571-8807-5998  
www.hikvision.com



Follow us on social media to get the latest product and solution information.

