



NVR

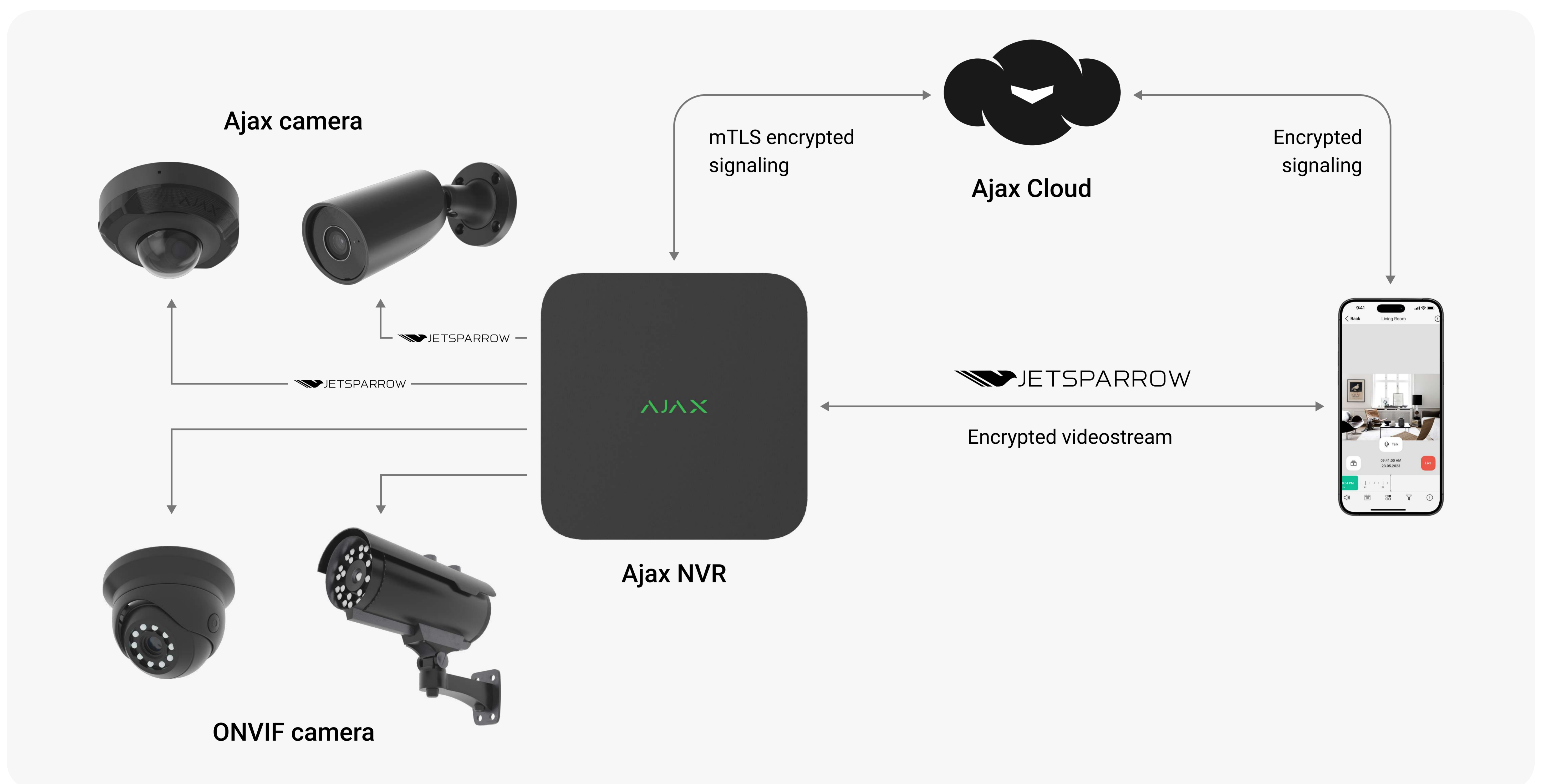
Network video recorder

Product versions	
NVR (8-ch) up to 8 channels in 4k	NVR (16-ch) up to 16 channels in 4k



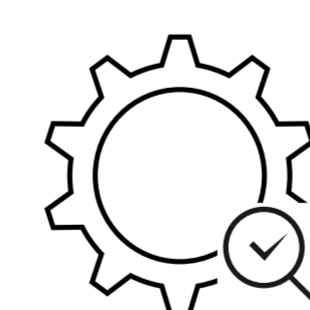
How it works

NVR enables third-party IP cameras to operate within Ajax video management software (VMS), making them a valuable addition to an Ajax system. NVR operates seamlessly by utilizing Ajax Cloud for transmitting system events, while its proprietary JetSparrow technology ensures fast peer-to-peer transmission of video data.



Smooth archive navigation

- Peer-to-peer streaming
- Instant live view
- Fast archive navigation with filters and calendar
- Dual streaming for instant preview
- Video clip export in a few clicks



Seamless user experience

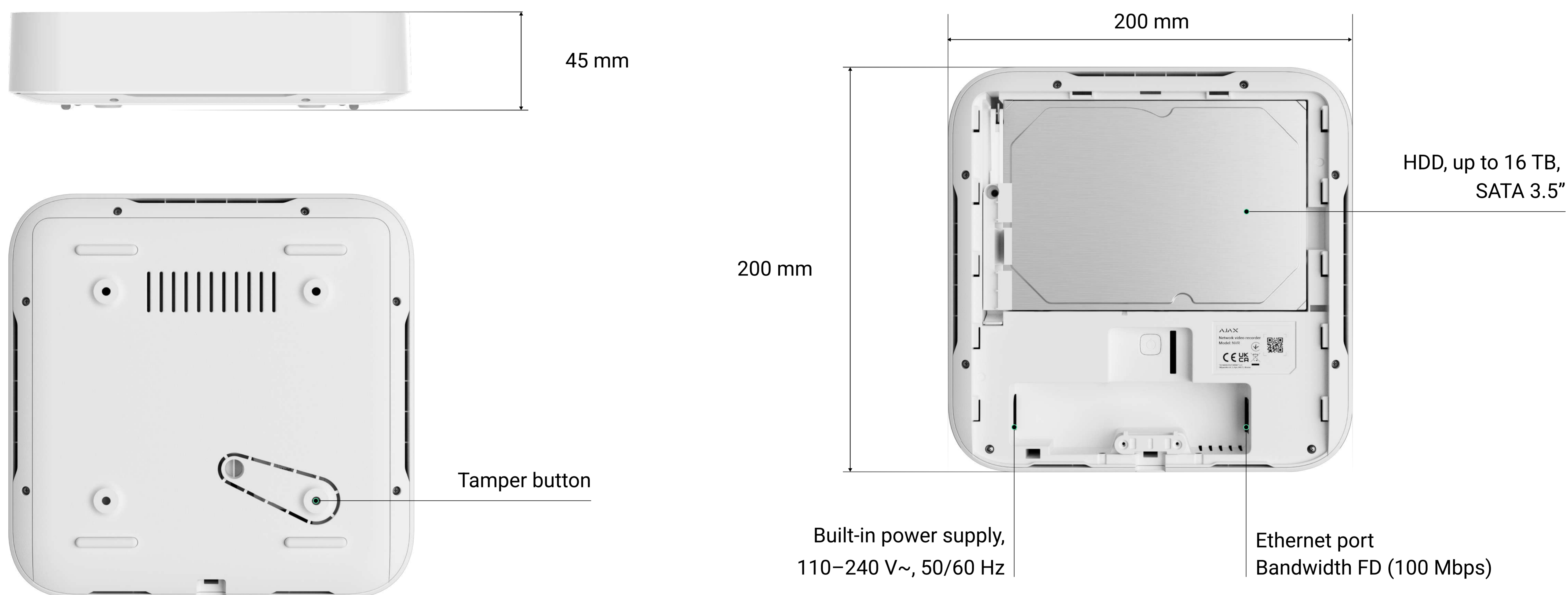
- High-resolution visual verification for alarms with video scenarios
- Easy transition from notifications feed to on-site video recordings
- Cameras synchronization with security modes
- Real-time oversight with a customizable Video wall

Uncompromising security and privacy

- Video stream with TLS encryption
- Real-time privacy control via the apps
- mTLS handshake between Ajax Cloud and NVR
- Account security with passcodes, biometrics, and two-factor authentication
- Session control for added protection
- Owner-only access to media data recorded on the hard drive
- Tamper notification of dismantling
- NDAA compliance

Easy installation and maintenance

- SmartBracket for fast and secure installation
- Connection via QR code
- Configuration via Ajax apps
- Auto-search for available cameras on the local network
- Adjustable motion detection zones available in the apps
- Real-time NVR health monitoring, including HDD statuses



Compatibility Hubs All Ajax hubs (up to 14 NVRs in one Ajax system)	Video stream Resolution up to 4K (25/30 fps) Decoding formats H.265/H.264	Complete set NVR SmartBracket mounting panel Ethernet cable Installation kit Quick Start Guide	Operating temperature range from 0°C to +40°C
Operating humidity up to 75%	Protection class IP20	Colour white, black	Weight 700 g



For detailed information, scan the QR code or follow the link:
ajax.systems/support/devices/nvr/

- ✉ support@ajax.systems
- 📍 @AjaxSystemsSupport_Bot
- 🌐 ajax.systems