

## iDS-7108HQHI-M1/S TURBO ACUSENSE DVR

### Key Feature

- Deep learning based human and vehicle targets classification of Motion Detection 2.0
- Deep learning-based perimeter protection
- H.265 Pro+/H.265 Pro/H.265 video compression
- HDTVI/AHD/CVI/CVBS/IP video inputs
- Audio via coaxial cable
- Up to 12-ch IP camera inputs (up to 6 MP)
- Up to 1080p@15 fps encoding capability



### Smart Function

- Deep learning based human and vehicle targets classification of Motion Detection 2.0
- Deep learning based perimeter protection

### Compression and Recording

- H.265 Pro+ can be enabled to improve encoding efficiency and reduce data storage costs
- Recording at up to 4 MP Lite resolution

### Storage and Playback

- 1 SATA interface (up to 10 TB capacity)
- Smart search for efficient playback

### Network & Ethernet Access

- Compatible with major Wi-Fi dongle products in the market
- Hik-Connect & DDNS (Dynamic Domain Name System) for easy network management

## ▪ Specification

Model		iDS-7108HQHI-M1/S
<b>Motion Detection 2.0</b>	Human/Vehicle Analysis	Deep learning-based motion detection 2.0 is enabled by default for all analog channels, it can classify human and vehicle, and extremely reduce false alarms caused by objects like leaves and lights; Quick search by object or event type is supported;
<b>Perimeter Protection</b>	Human/Vehicle Analysis	Up to 4-ch
<b>Facial Detection</b>	Facial Detection and Capture	Face picture detection, face picture search
<b>Recording</b>	Video Compression	H.265 Pro+/H.265 Pro/H.265/H.264+/H.264
	Encoding Resolution	When 1080p Lite mode is not enabled: 3K lite/5 MP lite/4 MP lite/1080p/720p/VGA/WD1/4CIF/CIF; When 1080p Lite mode is enabled: 3K lite/5 MP lite/4 MP lite/1080p lite/720p lite/VGA/WD1/4CIF/CIF
	Frame Rate	Main stream: When 1080p Lite mode not enabled: For 3K stream access: 3K lite@12fps;4 MP lite/1080p@15fps;720p/WD1/4CIF/VGA/CIF@20fps For 5 MP stream access: 5 MP lite@12fps;4 MP lite/1080p@15fps;720p/WD1/4CIF/VGA/CIF@20fps For 4 MP stream access: 4 MP lite/1080p@15fps;720p/WD1/4CIF/VGA/CIF@25fps (P)/30fps (N) For 1080p stream access: 1080p/720p@15fps; VGA/WD1/4CIF/CIF@25fps (P)/30fps (N) For 720p stream access: 720p/VGA/WD1/4CIF/CIF@25fps (P)/30fps (N) When 1080p Lite mode enabled: 3K lite/5 MP lite@12fps;4 MP lite@15fps;1080p lite/720p lite/VGA/WD1/4CIF/CIF@25fps (P)/30fps (N) Sub-stream: WD1/4CIF@12fps; CIF@25fps (P)/30fps (N)
	Video Bitrate	32 Kbps to 6 Mbps
	Dual-stream	Support
	Stream Type	Video, Video & Audio
	Audio Compression	G.711u

	Audio Bitrate	64 Kbps
<b>Video and Audio</b>	IP Video Input	2-ch (up to 10-ch)  Enhanced IP mode on: 4-ch (up to 12-ch), each up to 4 Mbps  Up to 6 MP resolution  Support H.265+/H.265/H.264+/H.264 IP cameras
	Analog Video Input	8-ch  BNC interface (1.0 Vp-p, 75 Ω), supporting coaxitron connection
	HDTVI Input	3K(2960 × 1665)@20 fps, 5 MP(2560 × 1944)@20 fps, 4 MP(2560 × 1440)@30 fps, 4 MP(2560 × 1440)@25 fps, 1080p@30 fps, 1080p@25 fps, 720p@30 fps, 720p@25 fps
	AHD Input	5 MP(2592 × 1944)@20 fps, 4 MP(2560 × 1440)@30 fps, 4 MP(2560 × 1440)@25 fps, 1080p@30 fps, 1080p@25 fps, 720p@30 fps, 720p@25 fps
	HDCVI Input	5 MP(2592 × 1944)@20 fps, 4 MP(2560 × 1440)@30 fps, 4 MP(2560 × 1440)@25 fps, 1080p@30 fps, 1080p@25 fps, 720p@30 fps, 720p@25 fps
	CVBS Input	Support
	HDMI Output	1-ch, 1920 × 1080/60Hz, 1280 × 1024/60Hz, 1280 × 720/60Hz
	VGA Output	1-ch, 1920 × 1080/60Hz, 1280 × 1024/60Hz, 1280 × 720/60Hz
	Video Output Mode	HDMI/VGA simultaneous output
	Audio Input	1-ch, RCA (2.0 Vp-p, 1 KΩ)  8-ch via coaxial cable
	Audio Output	1-ch, RCA (Linear, 1 KΩ)
	Two-Way Audio	1-ch, RCA (2.0 Vp-p, 1 KΩ) (using the first audio input)
	Synchronous Playback	8-ch
	<b>Network</b>	Total Bandwidth
Remote Connection		64
Network Protocol		TCP/IP, PPPoE, DHCP, Hik-Connect, DNS, DDNS, NTP, SADP, NFS, iSCSI, UPnP™, HTTPS, ONVIF
Network Interface		1, RJ45 10/100 Mbps self-adaptive Ethernet interface
Wi-Fi		Connectable to Wi-Fi network by Wi-Fi dongle through USB interface

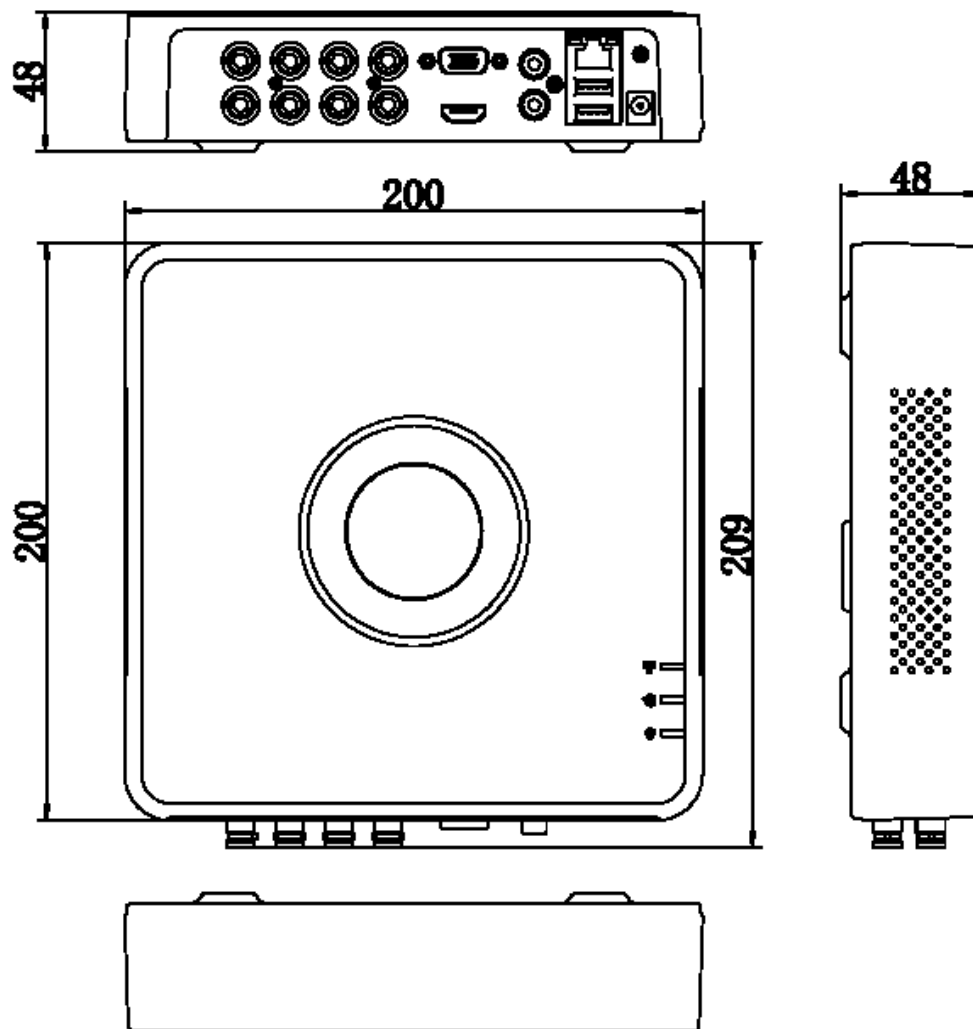
<b>Auxiliary Interface</b>	SATA	1 SATA interface
	Capacity	Up to 10 TB capacity for each disk
	Alarm In/Out	N/A
	USB Interface	Real panel: 2 × USB 2.0
<b>General</b>	Power Supply	12 VDC, 1.33 A
	Consumption	≤ 12 W (without HDD)
	Working Temperature	-10 °C to +55 °C (+14 °F to +131 °F)
	Working Humidity	10% to 90%
	Dimension (W × D × H)	200 × 200 × 45 mm (7.9 × 7.9 × 1.8 inch)
	Weight	≤ 1 kg (without HDD, 2.2 lb.)

**Note:**

\* *Motion detection 2.0 and perimeter protection cannot be enabled at the same time. Enable one function will make the other one unavailable.*

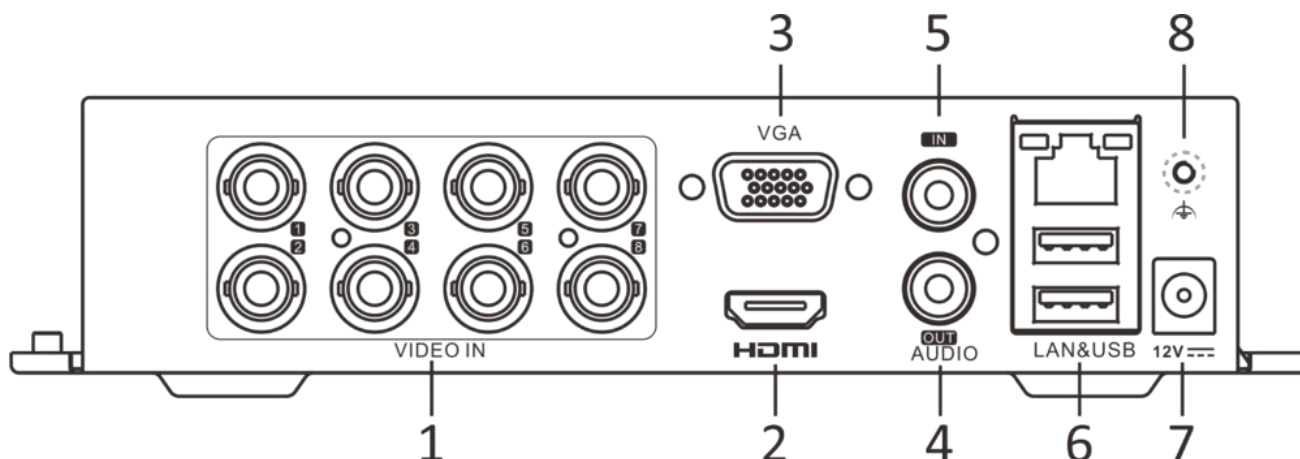
\* *Enhanced IP mode might be conflicted with smart events (motion detection 2.0 and perimeter protection) or other functions, please refer to the user manual for details.*

Dimension



scale/1: 1;Unit/mm

## Physical Interface



No.	Description	No.	Description
1	Video and coaxial audio in	5	AUDIO IN, RCA connector
2	HDMI interface	6	LAN network interface and USB interface
3	VGA interface	7	12 VDC power input
4	AUDIO OUT, RCA connector	8	GND

## Available Model

iDS-7108HQHI-M1/S

### Headquarters

No.555 Qianmo Road, Binjiang District,  
Hangzhou 310051, China  
T +86-571-8807-5998  
www.hikvision.com



Follow us on social media to get the latest product and solution information.



Hikvision



HikvisionHQ



HikvisionHQ



Hikvision\_Global



Hikvision  
Corporate Channel



hikvisionhq