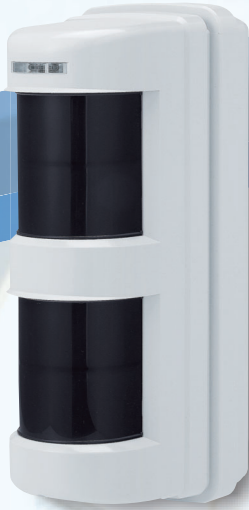


TAKEX

Indoor/Outdoor
Battery Operated PIR' s
with Low Current Consumption

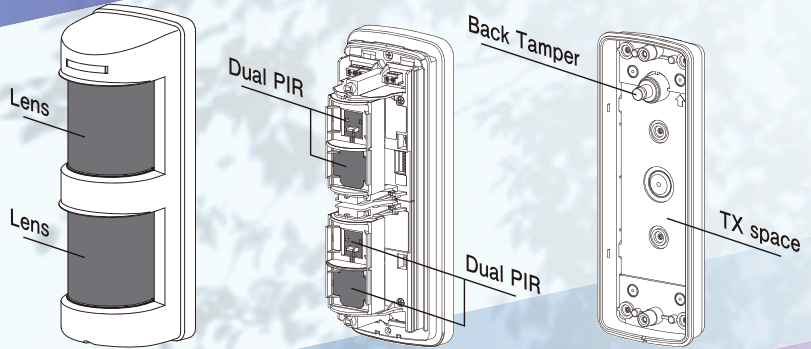


TX Series



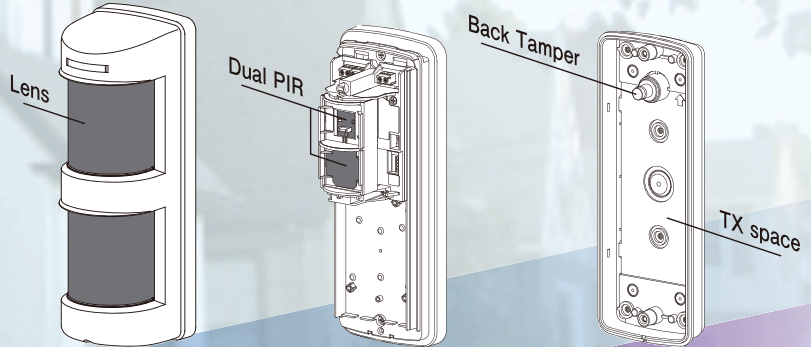
TX-114FR

Triple Tamper 180° Coverage



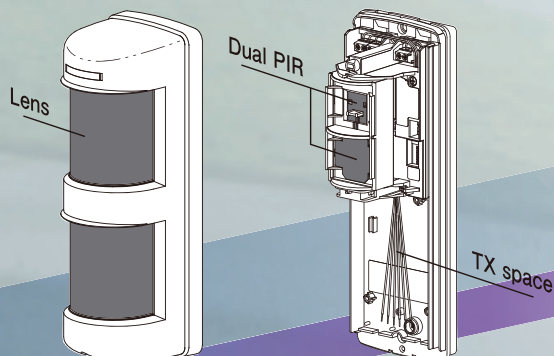
TX-114TR

Triple Tamper 90° Coverage



TX-114SR

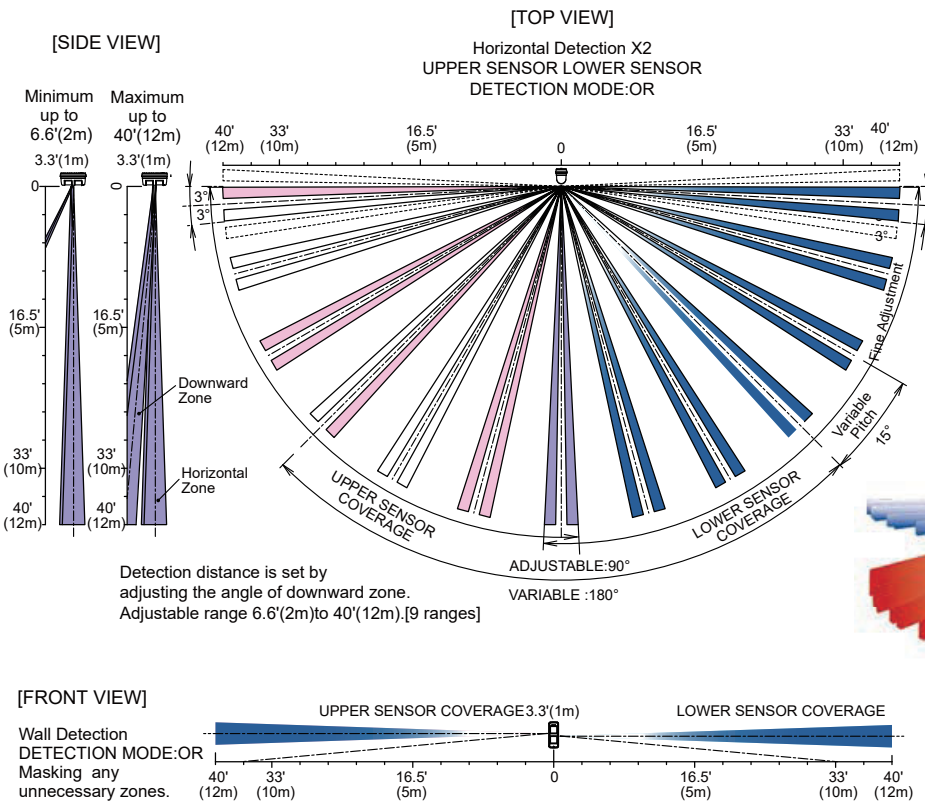
Basic Version 90° Coverage



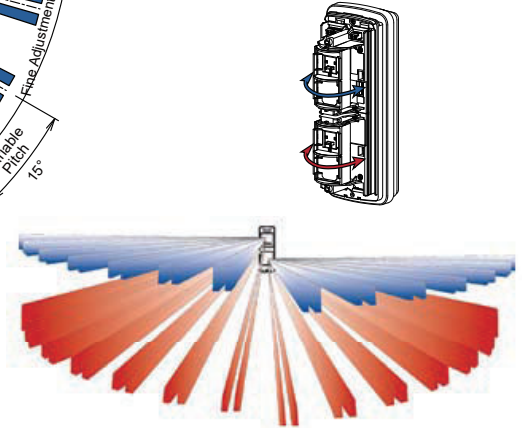
DETECTION AREA

TX-114FR

Two discrete head Dual PIRs



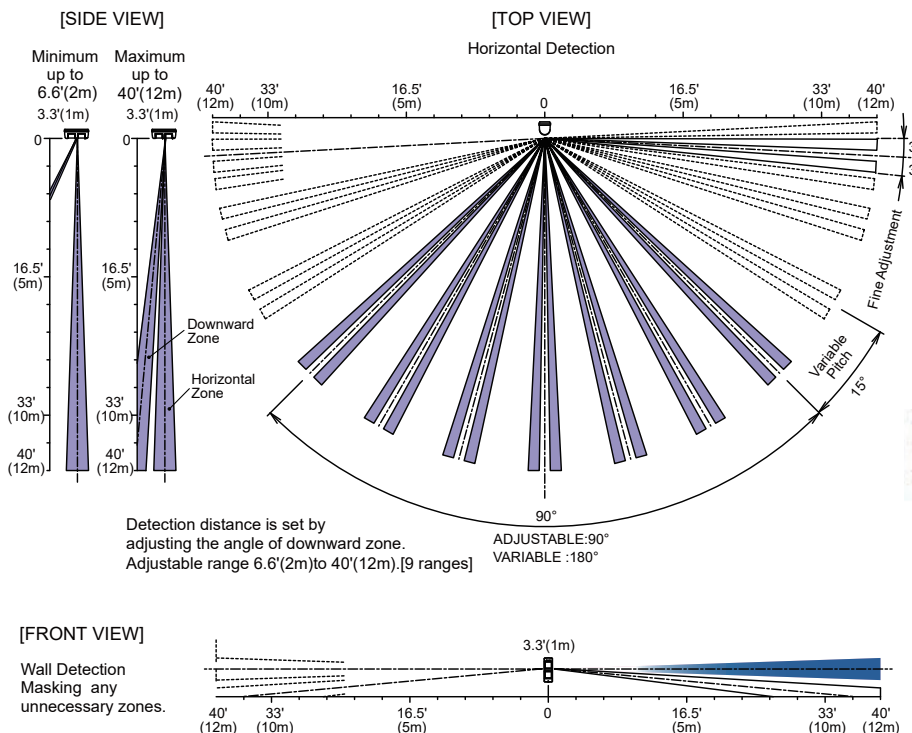
[COVERAGE PATTERN]



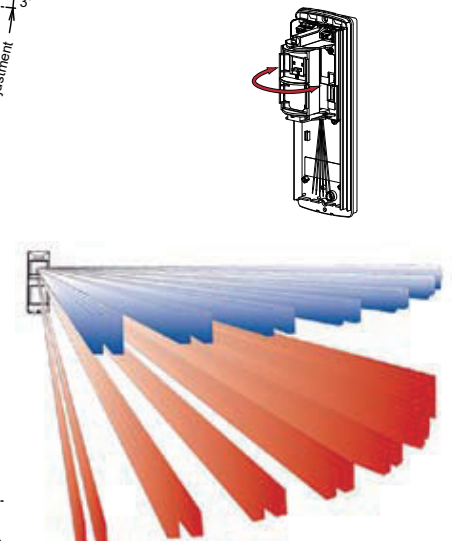
Two discrete Dual PIRs in a single housing, 2 detection areas - upper and lower can be covered respectively. Each detection direction can be moved 180 degree respectively.

TX-114TR / TX-114SR

Single Head Dual PIRs



[COVERAGE PATTERN]



Adjustment by 180 degree assures full and flexible coverage, it can meet almost every requirement of installation sites.

DETECTION AREA

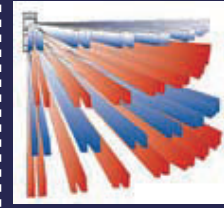
Detection zone of this unit consists of a horizontal zone and downward zone.
 Alarm signal is issued only when both detection zones detect objects.
 Detection distance can be set by adjusting the angle of downward zone.
 TX-114TR / TX-114SR is equipped with 1 set of sensor on the upper side.
 TX-114FR is equipped with 2 sets of sensor on the upper and lower side, making it possible to select AND mode or OR mode.

- A. Alarm signal is issued only when both horizontal and downward zone detect objects.
- B. It does not detect small animals which are not likely to reach the height of horizontal zone.
- C. It does not detect moving vehicles in the area outside the range of the downward zone.

TX-114TR / TX-114SR



TX-114FR (AND Mode)

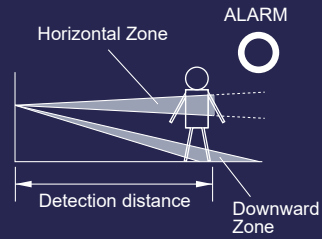


TX-114FR (OR Mode)

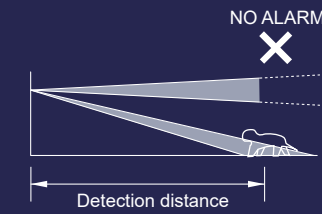


DETECTION PRINCIPLE

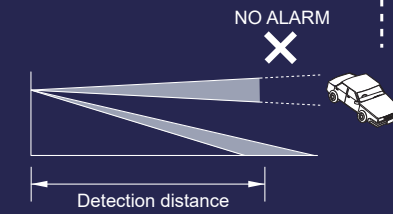
A. Both zones detect



B. Horizontal zone doesn't detect.

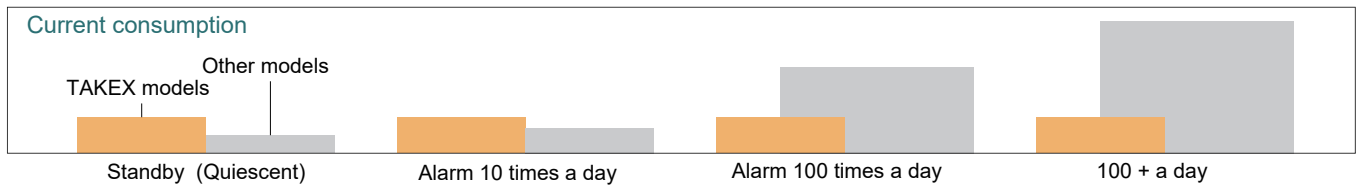


C. Downward zone doesn't detect.



Low Current Consumption

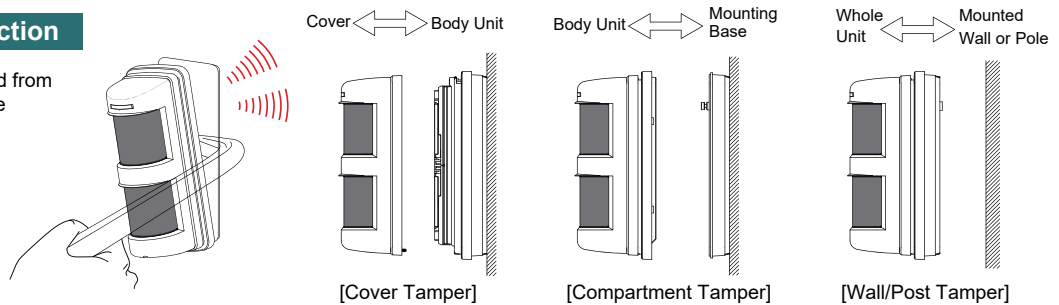
TAKEX TX series of Indoor/Outdoor PIRs exhibit extremely low current consumption while deployed in the field. The advantage of TAKEX models is illustrated below, when considering real installation, in relation to overall consumption (quiescent and alarm condition).



Triple Tamper Protection

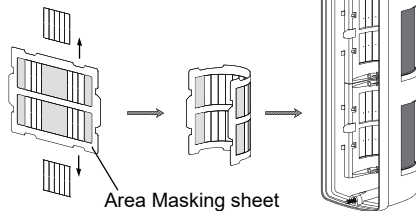
Cover removed or sensor pried from mounting location will generate tamper alarm.

(Only TX-114TR / FR)



Area Masking Sheet

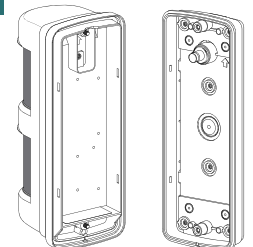
Customizing coverage or mask unwanted zones easily, with the included area masking sheet.



Abundant Storage Compartment

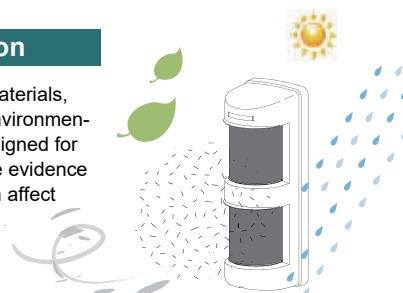
Very large compartment accommodates most commercially available transmitters and batteries.

(Back storage only TX-114FR / TR)

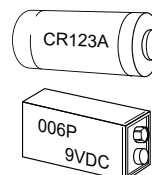


Proprietary Polymer Formulation

Rated as IP54, Takex engineered Polymer materials, seal out and withstand the effects of harsh environmental conditions. Takex outdoor devices are designed for years of reliable use, even resisting negligible evidence of sun and environmental damage, which can affect long term plastic and sensor viability.



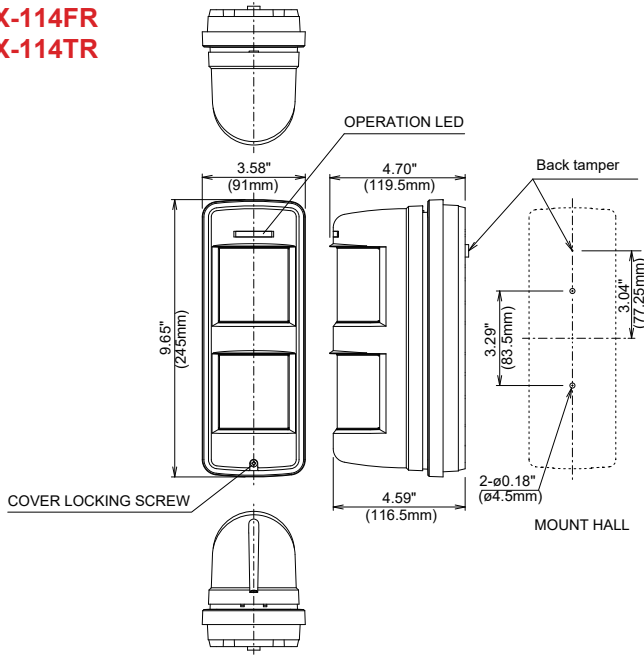
Flexible Battery Choices



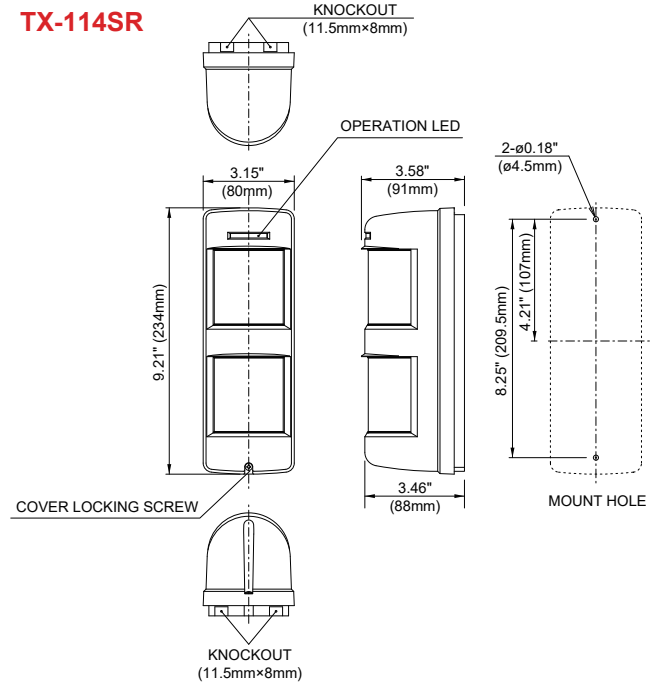
- Lithium Ion batteries are recommended
- Uses readily available 3 VDC (CR123) to 9VDC batteries
- Can be configured for shared power operation (sensor + TX)

EXTERNAL DIMENSIONS

TX-114FR
TX-114TR



TX-114SR



SPECIFICATIONS

Model	TX-114FR	TX-114TR	TX-114SR
Detection system	Passive infrared		
Coverage	Two discrete head Dual PIRs • When horizontal detection Angle : 90° • Detection distance : 12m (40') • Horizontal zone : 7 zones • Downward zone : 7 zones	Single head Dual PIRs • When horizontal detection Angle : 90° • Detection distance : 12m (40') • Horizontal zone : 7 zones • Downward zone : 7 zones	
Coverage adjustment	Horizontal: 90 degrees Detection distance: 2m to 12m (6.6' to 40') (Adjustable by changing the vertical angle of downward curtain)		
Supply power	3V to 9VDC Alkaline or Lithium Battery		
Operation voltage	2.3V to 10VDC		
Current consumption	35µA	25µA	
Operation	5mA/3V (Test mode)		
Operation	Solid State Switch N.C./N.O. selectable 10VDC · 0.01A Max • Alarm output One shot output when detecting objects (approx. 2sec) • Tamper output Real time output · when the cover is detached from the unit · when the unit is detached from the installed wall or pole · when compartment is separated from back plate • Trouble output Real time output when the unit suffers functional trouble (from terminal of Alarm)		Solid State Switch N.C./N.O. selectable 10VDC · 0.01A Max • Alarm output (Blue wires) One shot output when detecting objects (approx. 2sec) • Tamper output (Green wires) Real time output · when the cover is detached from the unit • Trouble output Real time output when the unit suffers functional trouble. (from wire of Alarm)
Operation LED	Red LED • Blinking for approx. 1min at warming-up • Lighting for 1sec at detection during walk-test (LED lights only in a test-mode) • Blinking when trouble alarm is issued (Lights once every 5 sec)		
Sensitivity adjustment	Approx. 30% to 170% (by rotary switch)		
Pulse count	Once/Three times selectable (by dip switch)		
Alarm prohibition time	10sec/120sec/300sec/900sec selectable (by dip switches)		
Detection mode	AND/OR selectable		
Ambient temperature	- 4°F to +122°F (-20°C to +50°C)		
Mounting position	Indoor/Outdoor [Wall or Pole]		
Weight	20oz (620g)	18oz (560g)	14.1oz (400g)
Appearance	Body: AES resin Lens: PE resin		
Accessories	Mounting screw : 2pcs Adhesive sheet : 1pc Area masking sheet : 1pc B.T.Killer : 1pc Battery holder : 1pc		Adhesive sheet: 1pc Mounting screw: 2pcs Battery holder: 1pc Area masking sheet: 1pc Battery leads: 2pcs
Optional	Pole attachment (BP-32)		Pole attachment (BP-22)

* Specifications and design are subject to change without prior notice.

TAKEX