

# 4MP HD ColorHunter Wide Angle Fixed Bullet Network Camera

IPC2K24SE-ADF40KMC-WL-I0



## Key Features



- High quality image with 4MP, 1/2.9" CMOS sensor
- 4MP (3840\*1080)@25fps (Human Body Detection off) ; 4MP (3840\*1080)@20fps (Human Body Detection on)
- The double lens splicing technology is adopted to realize the horizontal viewing angle of  $160.00^{\circ} \pm 10^{\circ}$
- Ultra 265, H.265, H.264, MJPEG
- Support Human Body Detection
- Colorhunter technology ensures 24-hour full-color images
- Alarm:1 in/1 out
- Audio: 1 in/1 out
- Built-in speaker and dual mics
- Support 256 GB micro SD card
- 12V DC/PoE power supply

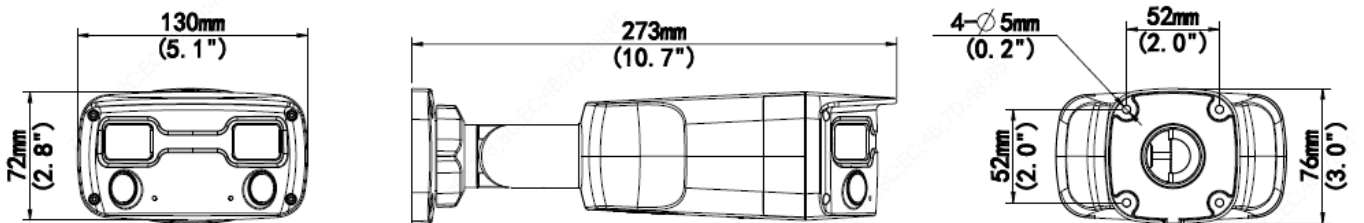
# Specifications

IPC2K24SE-ADF40KMC-WL-I0					
<b>Camera</b>					
Sensor	1/2.9", 4.0 megapixel, progressive scan, CMOS				
Minimum Illumination	Colour: 0.0005 lux (F1.0, AGC ON)				
Shutter	Auto/Manual, 1 ~ 1/100000s				
Adjustment angle	Pan: 0° ~ 360°	Tilt: 0° ~ 90°	Rotate: 0° ~ 360°		
WDR	DWDR				
S/N	>56dB				
<b>Lens</b>					
Lens	2 * 4.0mm@F1.0				
Iris	Fixed				
Field of View (H)	160.00° ± 10°				
Field of View (V)	43.22°				
Field of View (D)	180.13° ± 10°				
<b>DORI</b>					
DORI Distance	Lens (mm)	Detect (m)	Observe (m)	Recognize (m)	Identify (m)
	4.0	64.3	25.7	12.9	6.4
<b>Illuminator</b>					
LED Distance	Up to 30m (98ft)				
LEDs Number	2				
LED On/Off Control	Auto/Manual				
<b>Video</b>					
Video Compression	Ultra265, H.265, H.264, MJPEG				
H.264 code profile	Baseline profile, Main profile, High profile				
Frame Rate	Main Stream: 4MP (3840*1080), Max 25fps (Human Body Detection off) Sub Stream: 1920*540, Max 25fps				
Video Bit Rate	128 Kbps~16 Mbps				
U-code	Support				
OSD	Up to 8 OSDs				
Privacy Mask	Up to 4 areas				
ROI	Up to 8 areas				
Video Stream	Double streams				
<b>Image</b>					
White Balance	Auto/Outdoor/Fine Tune/Sodium Lamp/Locked/Auto2				
Digital noise reduction	2D/3D DNR				
Smart Illumination	Support				
Flip	N/A				
Dewarping	N/A				
HLC	Support				
BLC	Support				
Defog	Digital Defog				
<b>Events</b>					

Basic Detection	Human Body Detection ,motion detection, tampering alarm, audio detection
General Function	Watermark, IP address filtering, Alarm input, Alarm output, access policy, ARP protection, RTSP authentication, user authentication
<b>Audio</b>	
Audio Compression	G.711
Audio Bitrate	64 Kbps
Two-way audio	Support
Suppression	Support
Sampling Rate	8KHZ
<b>Storage</b>	
Edge Storage	Micro SD, up to 256GB
Network Storage	ANR, NAS(NFS)
<b>Network</b>	
Protocols	IPv4, IGMP, ICMP, ARP, TCP, UDP, DHCP, PPPoE, RTP, RTSP, RTCP, DNS, DDNS, NTP, FTP, UPnP, HTTP, HTTPS, SMTP, 802.1x, SNMP, QoS, RTMP,SSL/TLS, SSH
Compatible Integration	ONVIF (Profile S, Profile G, Profile T), API,SDK
User/Host	Up to 32 users. 2 user levels: administrator and common user
Security	Password protection, Strong password, HTTPS encryption, Export operation logs, Basic and digest authentication for RTSP, Digest authentication for HTTP, TLS 1.2, WSSE and digest authentication for ONVIF
Client	EZStation EZView EZLive
Web Browser	Plug-in required live view: IE9+, Chrome 41 and below, Firefox 52 and below
	Plug-in free live view: Chorme 57.0+, Firefox 58.0+, Edge 16+
<b>Interface</b>	
Audio I/O	Input: impedance 35kΩ; amplitude 2V [p-p]
	Output: impedance 600Ω; amplitude 2V [p-p]
Alarm I/O	1/1
RS485	N/A
Built-in Mic	Built-in two mics
Built-in Speaker	Support
WIFI	N/A
Network	1 * RJ45 10M/100M Base-TX Ethernet
Video Output	N/A
<b>Certifications</b>	
EMC	CE-EMC (EN 55032: 2015+A1:2020,EN 61000-3-3: 2013+A1: 2019,EN IEC 61000-3-2: 2019+A1: 2021,EN 55035: 2017+A11:2020) FCC (FCC CFR 47 part15 B, ANSI C63.4-2014)
Safety	CE LVD (EN 62368-1:2014+A11:2017) CB (IEC 62368-1:2014) UL (UL 62368-1, 2nd Ed., Issue Date: 2014-12-01)
Environment	CE-RoHS (2011/65/EU;(EU)2015/863); WEEE (2012/19/EU); Reach (Regulation (EC) No 1907/2006)
Protection	IP67 (IEC 60529:1989+AMD1:1999+AMD2:2013) IK10 (IEC 62262:2002)
<b>General</b>	
Power	DC 12V±25%, PoE (IEEE 802.3af)
	Power consumption: Max 6.5W

Power Interface	Ø 5.5mm coaxial power plug
Dimensions (L × W × H)	273 × 130 × 76mm (10.7" × 5.1" × 3.0")
Weight	0.95kg (2.09lb)
Material	Metal
Working Environment	-30°C ~ 60°C (-22°F ~ 140°F), Humidity: ≤95% RH (non-condensing)
Storage Environment	-30°C ~ 60°C (-22°F ~ 140°F), Humidity: ≤95% RH (non-condensing)
surge protection	4KV
Reset Button	Support

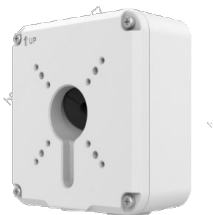
## Dimensions



## Accessories

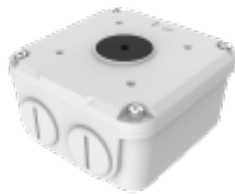
TR-JB07-D-IN

Junction Box



TR-JB06-A-IN

Junction Box



TR-UP06-B-IN

Pole Mount



TR-UP06-C-IN

Pole Mount



TR-A01-IN

Waterproof Joint

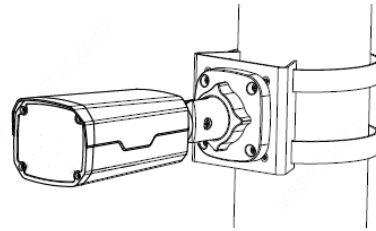
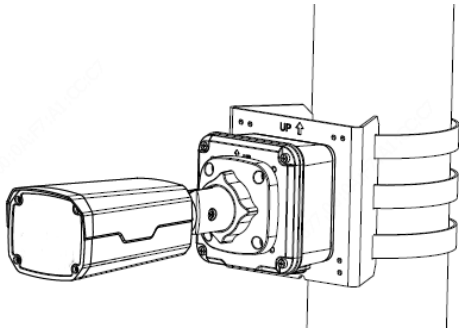


Junction Mount

Pole Mount

TR-JB07-D-IN(TR-JB06-A-IN)+ TR-UP06-C-IN

TR-UP06-B-IN



**Zhejiang Uniview Technologies Co., Ltd.**

Building No.10, Wanlun Science Park, Jiangling Road 88, Binjiang District, Hangzhou, Zhejiang, China (310051)

Email: [overseasbusiness@uniview.com](mailto:overseasbusiness@uniview.com); [globalsupport@uniview.com](mailto:globalsupport@uniview.com)

<http://www.uniview.com>

©2020 Zhejiang Uniview Technologies Co., Ltd. All rights reserved.

\*Product specifications and availability are subject to change without notice.