

## NDAA EYE-SIGHT SERIES

The new Eye-Sight series serves security professionals seeking a professional line featuring outstanding image quality, full connectivity, and enhanced video analytics functions based on **Artificial Intelligence**.



# DI-340IPEN-MVF

## 40M IR 4MP DDA ANALYTICS MOTORIZED LENS DOME/TURRET CAMERA

Equipped with a 2.8-12mm motorized lens, this 4MP Dome/Turret camera is designed for medium-distance surveillance (up to 40m) in indoor and outdoor scenarios. The camera offers broad possibilities for Analytics, from Face Detection to the outstanding DDA Analytics (Detect, Distinguish, Alert), which can perform object recognition and object counting. With various detection rules and triggers, the DI-340IPEN-MVF camera will help end false alarms.



**DDA**  
VIDEO ANALYTICS



**NDAA**  
Compliance



### MAIN FEATURES

- 4MP
- EYE-SIGHT
- 2592×1520 Resolution
- 2.8-12mm Motorized Vari-Focal (96°- 32° )
- 3D-DNR
- IP67
- DDA Analytics
- Audio in + Built-in microphone

### ANALYTICS

- General Analytics: Camera Tampering
- AI (Object Recognition): Humans, 2/4 wheel vehicles  
DDA Sterile Area  
DDA Line Crossing  
DDA Object Counting
- AI (Face Detection): 10 Faces per frame
- AI: Heatmap



## SPECIFICATIONS

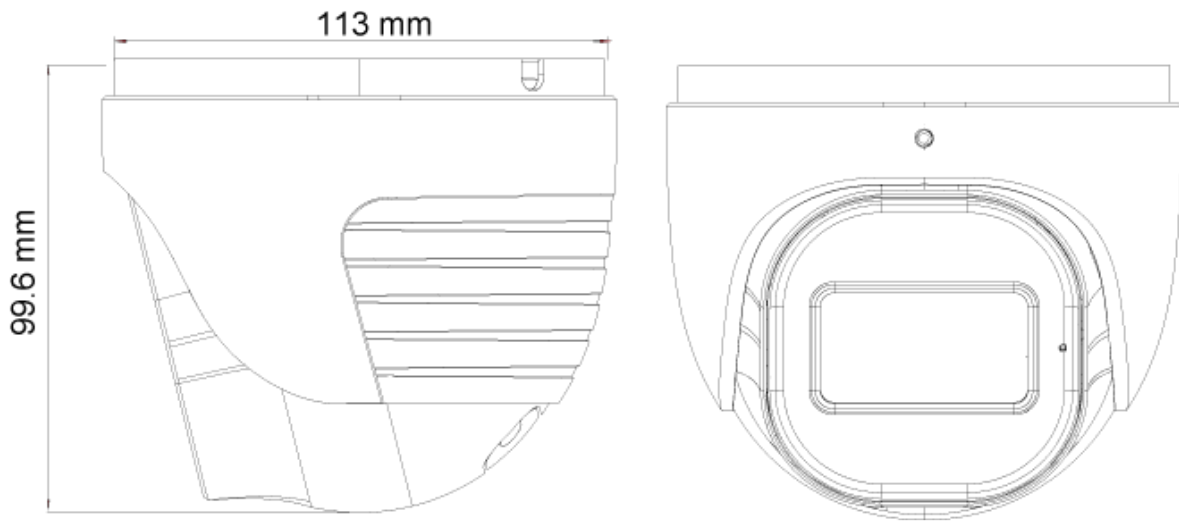
|                      |  |
|----------------------|--|
| Image Sensor         | 1/3" CMOS (16:9)   |
| Effective Pixels     | 2592X1520  |
| Electronic Shutter   | 1/25s ~ 1/100000s  |
| Frame Rate           | 1-25/30FPS in Normal Mode. 1-50/60FPS in HFR Mode***   |
| Day & Night          | ICR  |
| Min. Illumination    | Day: 0.1lux / Night: 0.005lux (@F1.6, AGC on) 0lux with IR on  |
| Audio compression    | G.711A/G.711U  |
| Communication        | One-way Audio  |
| Image Settings       | AWB, AGC Adjustable, Exposure Mode (Auto)<br>Sharpness, Saturation, Brightness & Contrast Adjustable   |
| Image Enhancement    | True WDR (120dB), BLC, HLC, ROI  |
| Noise Reduction      | 3D-DNR   |
| Image Orientation    | Mirror/Flip  |
| Privacy Zone         | Yes  |
| Motion Detection     | Yes  |
| Analytics            | General Analytics: Camera Tampering<br>AI (Object Recognition): DDA Sterile Area, DDA Line Crossing, DDA Object Counting<br>AI (Face Detection): 10 Faces per frame<br>AI: Heatmap |
| Video Compression    | H.265S/H.264S*, H.265+/H.264+/H.265/H.264/MJPEG  |
| Resolution           | 4MP / 2K / 3MP / 2MP / 1MP / D1 / QVGA / CIF   |
| Multi-Stream         | Master Stream: 4MP(2592x1520) / 2K (2560x1440) / 3MP / 2MP / 1MP<br>Substream: 1MP/QVGA/D1/CIF<br>Third Stream: QVGA/D1/CIF (1~30fps)  |
| Bit rate             | 64Kbps ~ 7Mbps@H.265 / 64Kbps ~ 8Mbps@H.264  |
| Encode Mode          | VBR/CBR  |
| Image Quality        | Five levels under VBR; Free adjustment under CBR   |
| IR Distance          | 40m (3 High-Power IR LED)  |
| Lens (Field of View) | 2.8-12mm MVF with Auto Focus (94.3°- 29.9°)  |

\*Main Stream Only, \*\*\*1080p,no true-WDR

## SPECIFICATIONS

|                     |   |
|---------------------|---|
| Iris                | DC Iris   |
| Lens Mount          | Ø14 Mount   |
| Protection Rate     | Water Proof: IP67   |
| Bracket             | 3-Axis Bracket  |
| Dimensions          | Ø113mm×99.6mm   |
| Weight (gross)      | ~640g   |
| Network             | RJ45 (+PoE)   |
| Power               | DC Socket   |
| Analog Video Output | No  |
| Audio Connectivity  | Built-in Microphone + Audio Input   |
| SD Card             | Event/Schedule based Main/Substream recording (Up to 128Gb)                                       |
| Hard Reset Button   | Yes   |
| Alarm               | No  |
| Remote Monitoring   | IE Browsing, VMS Software, Provision Cam2 Mobile App  |
| User Access         | Supports simultaneous monitoring of up to 10 users with multi-stream real-time transmission       |
| Network Protocol    | IPv4, IPv6, TCP, UDP, DHCP, NTP, DDNS, 802.1X, RTSP, Multicast, UPnP, Email, FTP, HTTPS, QoS, P2P |
| ONVIF               | Yes   |
| Ethernet            | 100Mbps   |
| PoE                 | Yes   |
| Power Supply        | DC12V/~900mA / PoE/~10W   |
| Work Environment    | -30°C~60°C, 10%~90% Humidity  |
| Junction Box        | PR-JB14IP66 - PR-JB14IP64 - PR-WB-A   |

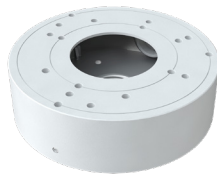
## DIMENSIONS



## ACCESSORIES



PR-JB14IP66



PR-JB14IP64



PR-WB-A