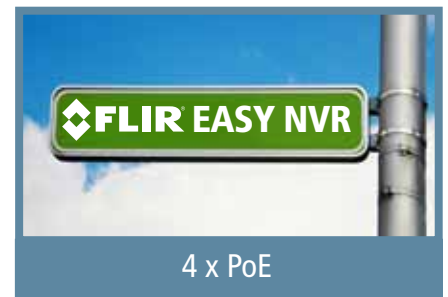


DNR200 Series

PoE HD Network Video Recorder

4-8-16 ch. 1080p, 4 PoE Ports, H.264, ONVIF 2.0, Mobile, PC/Mac



Enter a new era of easy and accessible all-digital HD recording with the FLIR SyncroIP Network Video Recorder. The SyncroIP NVR provides a robust yet user-friendly and affordable HD surveillance recording solution with 1080p resolution available in real-time.

Available in 4, 8 and 16 channel configurations, the DNR200 Series has 4 integrated PoE ports for convenient all-in-one connection that reduces setup time and cord clutter. IP Cameras are automatically discovered and the system is simple to navigate via the intuitive GUI.

ONVIF 2.0 conformance ensures compatibility with the industry's most popular IP Cameras – including the industry-leading SyncroIP Camera line-up. For managing multi-NVR applications, a powerful 64 Channel CMS by FLIR is included. Stay connected with an outstanding suite of mobile apps available for iPhone, iPad and Android in addition to PC and Mac.

Features

- ❖ Easy Connection and setup with 4 integrated Power over Ethernet (PoE) ports and auto-discovery of IP Cameras
- ❖ Full HD 1080P recording provides the most detailed picture and reliable identification with selectable area digital zoom
- ❖ Real-time recording: 120fps@1080p (4ch), 240fps@720p (8ch), and 480fps@D1 (16ch)
- ❖ Dual streaming (H.264) and dual core processing
- ❖ ONVIF 2.0 conformance ensures compatibility with the industry's major camera manufacturers
- ❖ 64 Channel CMS by FLIR included
- ❖ Fully PC / Mac compatible
- ❖ Mobile apps: iPhone, iPad, Android, Windows Phone 8* and BlackBerry 10*
- ❖ Advanced mobile app features: remote playback, push notifications for motion/alarm, E-map, manual record/snapshot to device
- ❖ HDMI / VGA / BNC simultaneous video output
- ❖ Free DDNS service by FLIR with secure and redundant servers
- ❖ Supports 2x SATA HDDs up to 3TB (6 TB total), 2x USB 2.0 ports
- ❖ 5/3/1 Fortress Vision warranty

*Under development; coming soon

Specifications

System

| | |
|---------------------|--|
| Main Processor | Dual-core embedded processor |
| Operating System | Embedded LINUX |
| Pentaplex Operation | Simultaneous View, Record, Playback, Backup, and Remote Monitoring |

Inputs/Outputs

| | |
|---------------------------|---|
| IP Camera Input | 4 channel / 8 channel / 16 channel |
| Power over Ethernet (PoE) | 4 integrated PoE ports |
| Audio | 1 channel input (BNC), 1 channel output (BNC) |
| PTZ | RS-485, supports Pelco-D and Pelco-P |
| USB | 2 ports |
| Alarm Input | 4 Channel / 8 Channel / 16 Channel |
| Relay Out | 3 Channel |

Display

| | |
|---------------|---|
| Interface | 1 HDMI, 1 VGA, 1 BNC |
| Resolution | 1920×1080, 1280×1024, 1280×720, 1024×768 |
| Display Split | 1/4, 1/4/8/9, 1/4/8/9/16 |
| OSD | Camera title, Time, Camera Lock, Motion Detection, Recording Status |

Recording

| | |
|-----------------|---|
| Compression | H.264 |
| Resolution | 1080P(1920×1080) / 720P(1280×720) / D1 (704×576/704×480) |
| Record Rate | 120fps@1080p (4ch), 240fps@720p (8ch), 480fps@D1 (16ch) |
| Bit Rate | 32Mbps |
| Record Mode | High Quality Stream/Sub-Stream Recording: Manual, Schedule, Motion Detection, Alarm |
| Record Interval | 1~120 min (default: 60 min), Pre-record: 1~30 sec, Post-record: 10~300 sec |

Video Detection and Alarm

| | |
|-----------------|---|
| Trigger Events | Recording, PTZ, Tour, Alarm, Video Push, Email, FTP, Buzzer & Screen tips |
| Video Detection | Motion Detection |

Playback and Backup

| | |
|----------------------|------------------------------------|
| Sync Playback | 1/4, 1/4/9, 1/4/9/16 |
| Playback Function | 4 Channel / 8 Channel / 16 Channel |
| Backup Mode | USB Device / Network |
| Configuration Backup | To USB Device |

Network

| | |
|----------------------|---|
| Ethernet | RJ-45 port (10/100M/1000M) |
| Network Function | HTTP, TCP/IP, IPv4/IPv6, UPNP, RTSP, UDP, SMTP, NTP, DHCP, DNS, IP Filter, PPPOE, DDNS, FTP, Alarm Server, IP Search |
| Max. User Access | 20 simultaneous users |
| Smart Phone | iPhone, iPad, Android, Windows Phone 8**, Blackberry 10* |
| IP Cameras Supported | FLIR, Digimerge, Panasonic, Sony, Dynacolor, Samsung, AXIS, Arecont, Bosch, Canon, Honeywell, Pelco, Panasonic, Vivotek |

Storage

| | |
|--------------------------|----------------------|
| Main Processor | 2 SATA ports (2HDDs) |
| Maximum Storage Capacity | 6TB (2 x 3TB) |

Dimensions

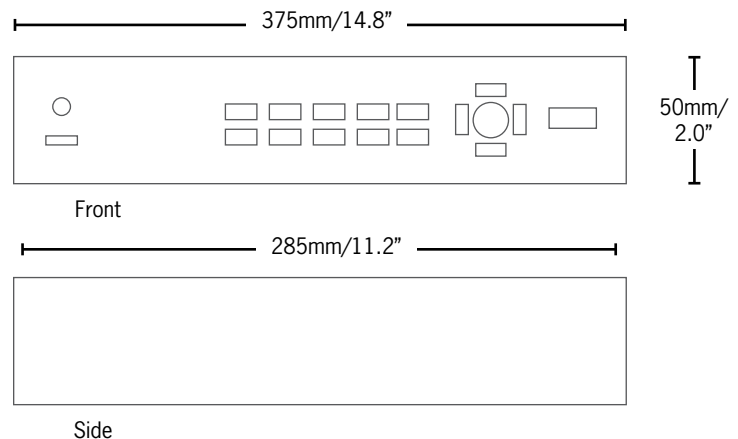
| | |
|--------|----------------|
| Weight | 2.3kg / 5.1lbs |
|--------|----------------|

Power

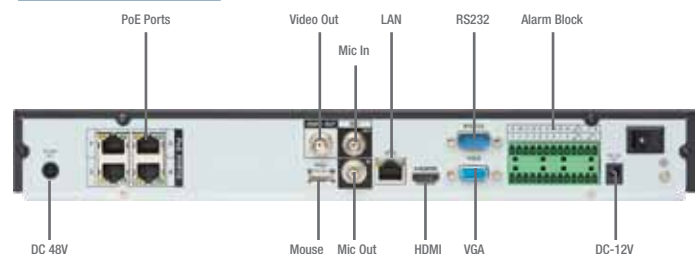
| | |
|--------------|--|
| Power Supply | 1x 12V DC 5A (for NVR); 1x 48V DC 1A (for PoE) |
|--------------|--|

Package Dimensions

| | |
|---------------------|--|
| Weight: | 3.9kg/8.5lbs |
| Package Dimensions: | 438mm x 153mm x 343mm / 17.2" x 6.0" x 13.5" (W x H x D) |
| Cube: | 0.023 Cubic Metres / 0.81 Cubic Feet |



Back Panel



Product Information

| | | |
|------|------------------------------------|-----------------|
| UPC: | DNR204P1 4 Channel 1TB HDD | 8-41430-00799-9 |
| | DNR208P1 8 Channel 1TB HDD | 8-41430-00802-6 |
| | DNR216P1 16 Channel 1TB HDD | 8-41430-00805-7 |

Includes: NVR, 1TB HDD, Remote Control, 2 x Power Supply, Software application CD, 3ft Ethernet Cable

*Under development; coming soon

Digimerge is a FLIR® company.

Because our products are subject to continuous improvement, Digimerge reserves the right to modify product design and specifications without notice and without incurring any obligation. E&O.E.