

## 80W Solar panel specifications

Our range of solar panels are constructed from ultra-efficient polycrystalline and have been designed to provide a reliable and cost-effective alternative energy solution for applications where mains power is either not available, or not desirable.

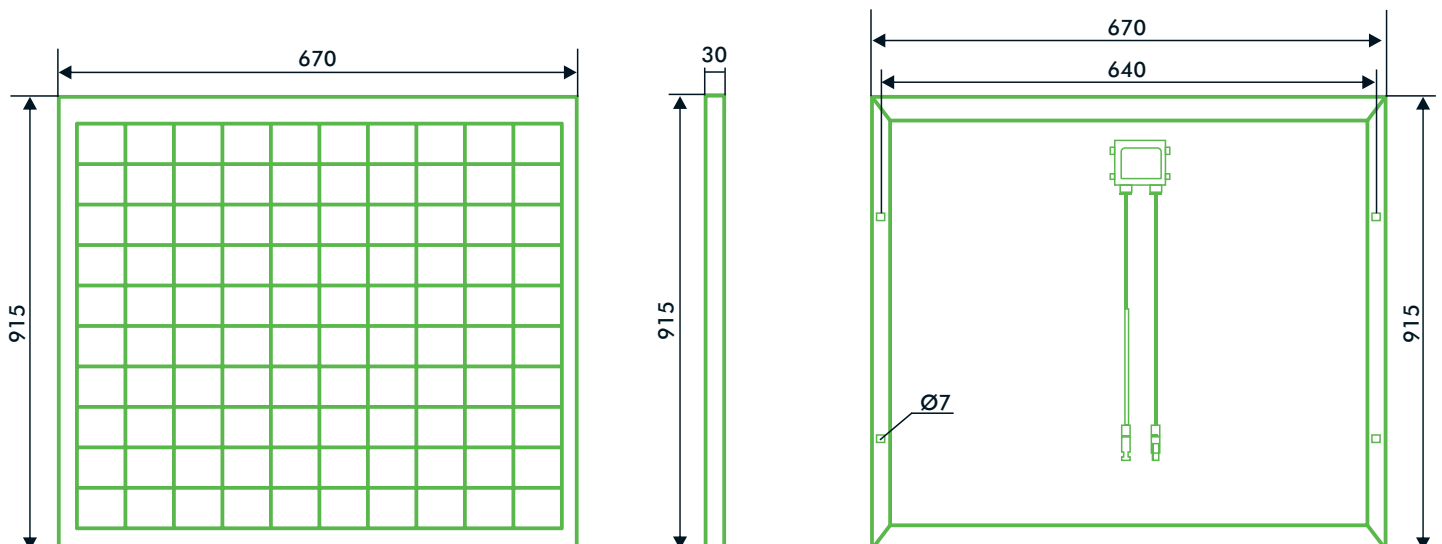
### Main features:

- Clever engineering makes for minimal power losses during prolonged periods in shade
- Fully weather-resistant - durable white tempered glass, EVA resin and weather-resistant film enclosed in anodised aluminium frame

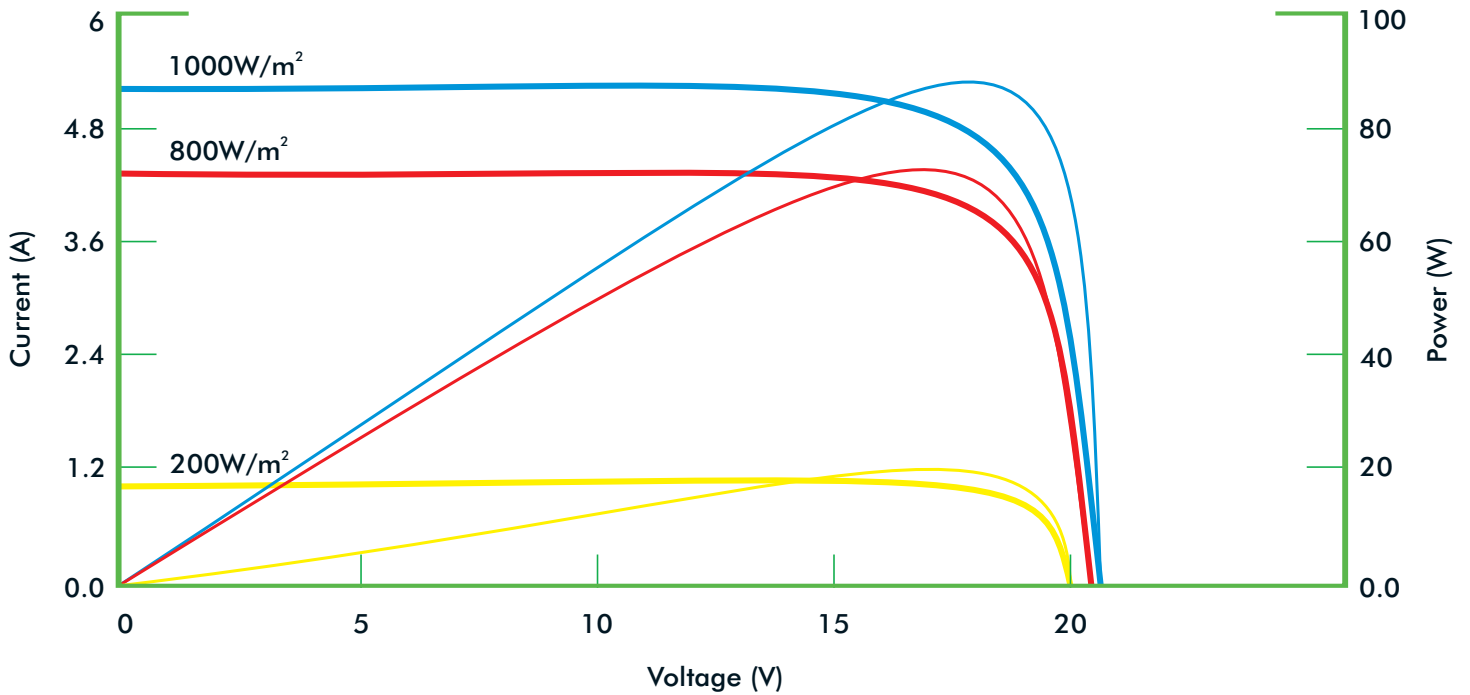
### Technical specifications

Type Of Module	80W
Maximum Power	80W
Tolerance	± 3%
Open Circuit Voltage	22V
Short Circuit Current	4.85A
Maximum Power Voltage	18V
Maximum Power Current	4.44A
Module Efficiency	13.05%
Solar Cell Efficiency	17.2%
Series Fuse Rating	15A
Terminal Box	IP65
Maximum system voltage	1000V DC
Operating Temperature	-40°C - 85°C
Dimensions	915mm x 670mm x 30mm
Weight	7.3kg

### Physical dimensions



## Current-voltage and power-voltage characteristics - various irradiance levels



Current and voltage

Power and voltage

### Electrical characteristics

#### Electric performance typical performance characteristics

Current Temperature Coefficient %/°C	+0.06
Voltage Temperature Coefficient %/°C	-0.34
Power Temperature Coefficient %/°C	-0.47

Performance Warranty: 90%output, 12 year  
80%output, 25 years