

NEZ-A4-BUB-CTIP Bubble, tinted, for in-ceiling model AUTODOME 4000 HD



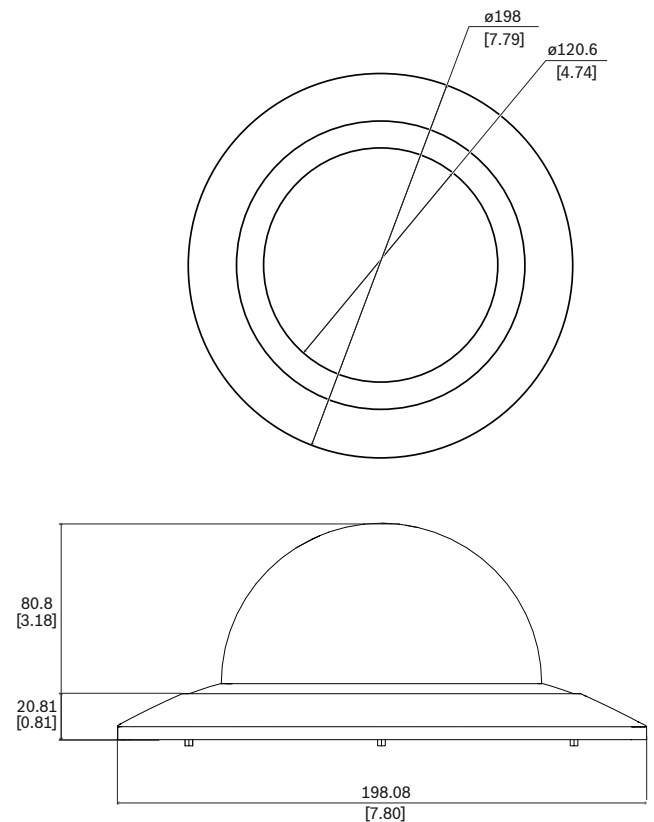
- ▶ Tinted
- ▶ Easy installation

Tinted bubble accessories allow for an easy replacement of the device's original bubble, providing a colored bubble alternative with a light opacity level.

Functions

Tinted bubble specifically designed for use with AUTODOME IP 4000i in-ceiling models.

Installation/configuration notes



Dimensions in mm (inch)

Parts included

Quantity	Component
1	Tinted bubble with housing
1	T10 Allen key
1	Quick installation guide

Technical specifications

Mechanical

Dimension (Ø x H) (mm)	198 mm x 80.8 mm
Dimension (Ø x H) (in)	7.80 in x 3.18 in
Weight (g)	160 g
Weight (lb)	0.35 lb
Material	Trim ring: PC/ABS
Color in RAL	RAL 9003 Signal white
Bubble material	Polycarbonate
Bubble color	Tinted

Ordering information

NEZ-A4-BUB-CTIP Bubble, tinted, for in-ceiling model

Tinted bubble for in-ceiling model of AUTODOME IP 4000i cameras.

Order number **NEZ-A4-BUB-CTIP | F.01U.396.551**

F.01U.313.100

Represented by:

Europe, Middle East, Africa:
Bosch Security Systems B.V.
P.O. Box 80002
5600 JB Eindhoven, The Netherlands
Phone: + 31 40 2577 284
www.boschsecurity.com/xc/en/contact/
www.boschsecurity.com

Germany:
Bosch Sicherheitssysteme GmbH
Robert-Bosch-Ring 5
85630 Grasbrunn
Tel.: +49 (0)89 6290 0
Fax: +49 (0)89 6290 1020
de.securitysystems@bosch.com
www.boschsecurity.com

North America:
Bosch Security Systems, LLC
130 Perinton Parkway
Fairport, New York, 14450, USA
Phone: +1 800 289 0096
Fax: +1 585 223 9180
onlinehelp@us.bosch.com
www.boschsecurity.com

Asia-Pacific:
Robert Bosch (SEA) Pte Ltd, Security Systems
11 Bishan Street 21
Singapore 573943
Phone: +65 6571 2808
Fax: +65 6571 2699
www.boschsecurity.com/xc/en/contact/
www.boschsecurity.com