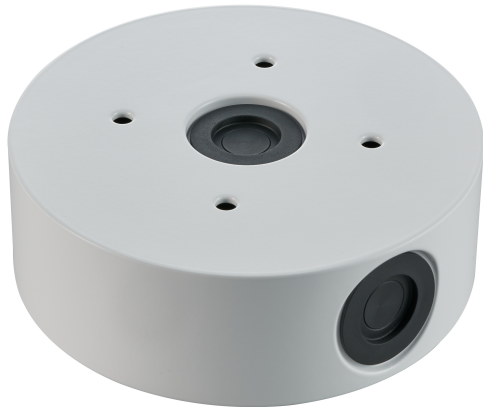


NDA-U-CBB Conduit back box, 148mm



The modular camera mounts & accessories are a family of mounts, mounting adapters, pendant interface plates and surveillance cabinets which can be used with a wide range of Bosch cameras. The accessories are easy to install and can be combined to simplify installation in multiple locations while retaining the same look and feel.

Functions

The conduit back box is designed for use with the FLEXIDOME panoramic 5100i IR. It is also compatible with the DINION 5100i IR.

This accessory comes ready for installation to a wall or ceiling. To adapt it to be mounted to a pole or corner, the following accessories must be used with:

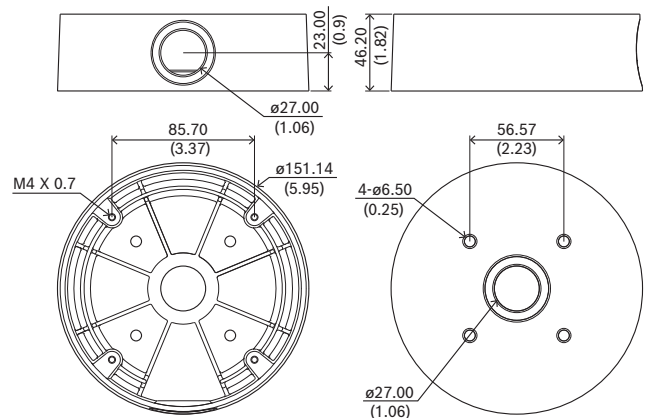
- NDA-U-PMAL Pole mount adapter large
- NDA-U-CMT Corner mount adapter

Regulatory information

Environmental	
Salt mist	IEC60068-2-52
Vibration	IEC60068-2-6, NEMA TS2
Shock	IEC60068-2-27, NEMA TS2
Impact	IK10

- ▶ Modular design for fast and easy installation
- ▶ Weather resistant finish to maintain cosmetic appearance
- ▶ Vandal resistant design for indoor and outdoor use
- ▶ Impact, shock and vibration resistant

Installation/configuration notes



Dimensions in mm (inch)

Parts included

Quantity	Component
1	Back box base
2	Rubber cap
4	M4 x 12 mm T20 screw
1	Quick installation guide

Technical specifications

Mechanical

Dimensions (Ø x H) (mm)	151.14 mm x 46.20 mm
-------------------------	----------------------

Dimensions (Ø x H) (in)	5.95 in x 1.82 in
Conduit dimensions Ø	M25 max.
Weight (g)	467 g
Weight (lb)	1.03 lb
Material	Aluminum
Color in RAL	RAL 9003 Signal white

Ordering information

NDA-U-CBB Conduit back box, 148mm

Outdoor conduit back box, 148mm, IP66 rated

Order number **NDA-U-CBB | F.01U.394.006**

Represented by:

Europe, Middle East, Africa:
 Bosch Security Systems B.V.
 P.O. Box 80002
 5600 JB Eindhoven, The Netherlands
 Phone: + 31 40 2577 284
www.boschsecurity.com/xc/en/contact/
www.boschsecurity.com

Germany:
 Bosch Sicherheitssysteme GmbH
 Robert-Bosch-Ring 5
 85630 Grasbrunn
 Tel.: +49 (0)89 6290 0
 Fax: +49 (0)89 6290 1020
de.securitysystems@bosch.com
www.boschsecurity.com

North America:
 Bosch Security Systems, LLC
 130 Perinton Parkway
 Fairport, New York, 14450, USA
 Phone: +1 800 289 0096
 Fax: +1 585 223 9180
onlinehelp@us.bosch.com
www.boschsecurity.com

Asia-Pacific:
 Robert Bosch (SEA) Pte Ltd, Security Systems
 11 Bishan Street 21
 Singapore 573943
 Phone: +65 6571 2808
 Fax: +65 6571 2699
www.boschsecurity.com/xc/en/contact/
www.boschsecurity.com