

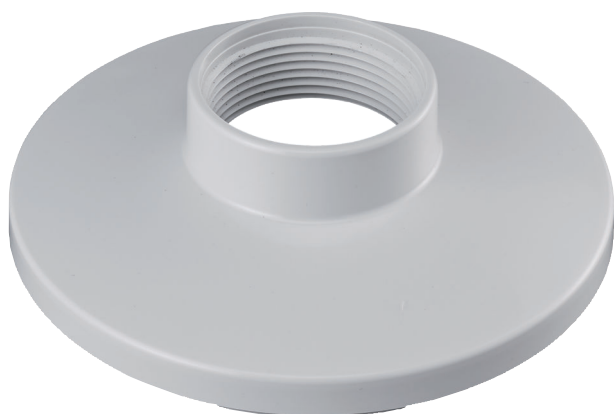
NDA-5031-PIP Pendant interface plate NDI-4/5000

www.boschsecurity.com



BOSCH

Invented for life



- ▶ Pendant interface plate for indoor FLEXIDOME IP 4/5000i
- ▶ Modular design for fast and easy installation
- ▶ Weather resistant finish to maintain cosmetic appearance

This camera-specific accessory is designed for use with the new line of Bosch's universal accessories. The modular camera mounts & accessories are a family of mounts, mounting adapters, pendant interface plates and surveillance cabinets which can be used with a wide range of Bosch cameras. The accessories are easy to install and can be combined to simplify installation in multiple locations whilst retaining the same look and feel.

Functions

The NDA-5031-PIP is designed especially for indoor use with the FLEXIDOME 4/5000i family.

It provides a safe and robust solution to mount the camera to:

- NDA-U-WMT Pendant wall mount
- NDA-U-PMT Pendant pipe mount

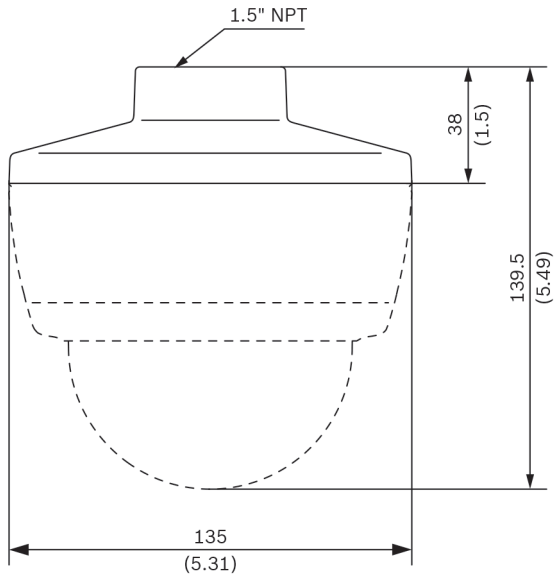
Parts included

Quantity	Component
1	Pendant interface plate
1	M4 x 12 mm T20 screw

Quantity	Component
4	M4 x 8 mm T20 screw
1	Quick Installation Guide

Technical specifications

Mechanical	
Dimensions	Φ 135 mm (5 in), H = 38 (1.5 in)
Weight	110 g (0.24 lb)
Standard Color	White (RAL 9003)
Construction Material	Polycarbonate



Dimensions in mm (inch)

Ordering information

NDA-5031-PIP Pendant interface plate NDI-4/5000
Pendant interface plate for indoor FLEXIDOME IP
4000i / 5000i.
Order number **NDA-5031-PIP**

Represented by:

Europe, Middle East, Africa:
Bosch Security Systems B.V.
P.O. Box 80002
5600 JB Eindhoven, The Netherlands
Phone: + 31 40 2577 284
emea.securitysystems@bosch.com
emea.boschsecurity.com

Germany:
Bosch Sicherheitssysteme GmbH
Robert-Bosch-Ring 5
85630 Grasbrunn
Germany
www.boschsecurity.com

North America:
Bosch Security Systems, Inc.
130 Perinton Parkway
Fairport, New York, 14450, USA
Phone: +1 800 289 0096
Fax: +1 585 223 9180
onlinehelp@us.bosch.com
www.boschsecurity.us

Asia-Pacific:
Robert Bosch (SEA) Pte Ltd, Security Systems
11 Bishan Street 21
Singapore 573943
Phone: +65 6571 2808
Fax: +65 6571 2699
apr.securitysystems@bosch.com
www.boschsecurity.asia