

Earth Neutral Bridge Box

ACDB-ARENB-50A

Application

This product is an essential component needed for the safe operation of back up and hybrid solar systems. The function is replacing the earth neutral bridge that exists when normal power is supplied from the utility. The ACDB-ARENB-50A automatically creates a temporary earth/neutral bridge when the inverter goes back to back p mode due to loss of grid, thus avoiding the forming of earth bound loops. The enclosure provides excellent protection against the elements and is UV stabilised. Pre-wired internal switchgear makes the system installation time fast. Connectors are clearly marked to streamline installation.

Enclosure Characteristics

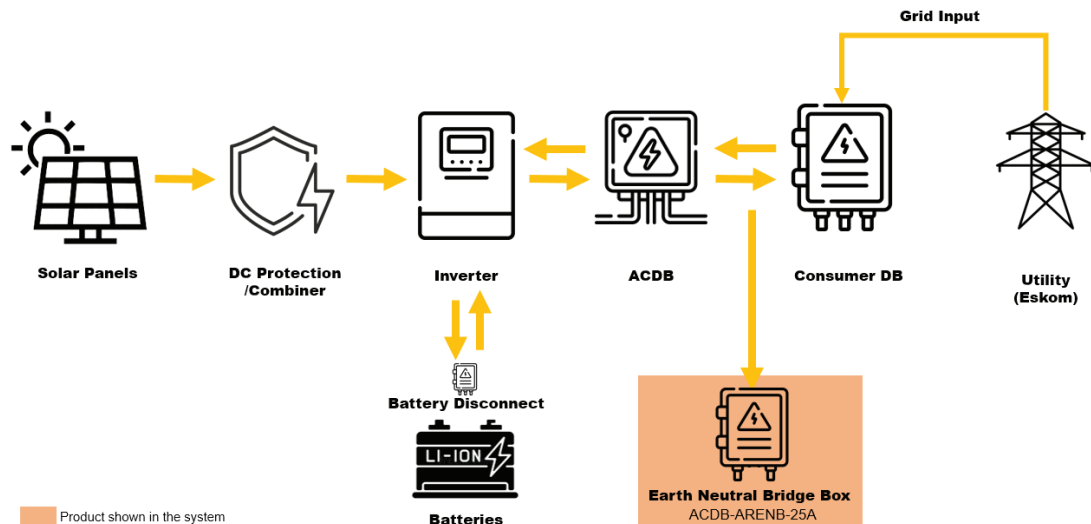
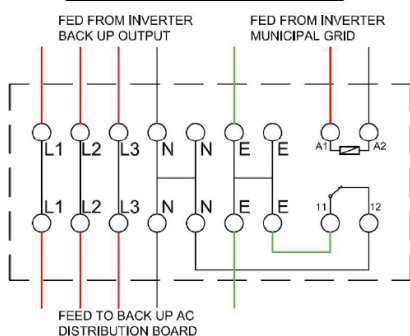
- IP65
- Glass Reinforced Polyester Base
- Polycarbonate Lid
- RAL 7032 Base
- Impact Resistant
- Double Insulated - Class II
- Ambient Temperature range: -25°C / +40°C
- Max Operating Voltage: 1000V AC / 1500V DC
- External Earth Stud

Technical Data

Number of Inputs	1 AC in
Number of Outputs	1 AC out
Surge Protection Device	No
Max current Battery Pack	50A
Max Voltage	230Vac
Cable Entry	Gland Entry
IP Rating	IP 65
Enclosure Material	Glass Reinforced Polyester
Enclosure Color	RAL 7032
UV Stabilized	Yes
Additional Heat Dissipation	M12 ventilation plug
NRCS Regulatory Approval	Yes - certified under NRCS
Enclosure size	231 x 166 x 113mm



WIRING DIAGRAM



Product shown in the system