

OSSIA VMS - HARDWARE

PROVISION-ISR dedicated VMS hardware is planned, designed, and built by Provision-ISR with the sole purpose of running OSSIA VMS: a top-quality Central Management System allowing the user to view and manage multiple devices from remote.



OC-MSCL-S (DT)

OSSIA VMS EMBEDDED MANAGEMENT SERVER / CLIENT SUPPORTING UP TO 256 CHANNELS

The end of the PC Era.

Used for VMS monitoring, with two work modes to choose from, the OC-MSCL-S(DT) can be a Management Server for recorders and cameras or a Client connecting to other Ossia VMS servers. Small, powerful, and elegant: OC-MSCL-S(DT) can fit everywhere. Provision-ISR delivers a winning solution to the security field with designated hardware that runs embedded Ossia VMS. This design makes the system far more stable, cost-worthy, and simple. As a result, the device is fully dedicated to its CCTV management and operation tasks.



MAIN FEATURES

- 256 Channel supportt
- 64 Recorder support
- 8GB DDR RAM
- Live View and Playback
- E-Map Monitoring
- Analytics Support
- ONVIF Camera Support
- Auto Report Service Support
- PTZ Support
- Audio Support
- Alarm Support
- Mobile App Support



SPECIFICATIONS

MODULES

| | |
|---------------------------|---|
| Live View | Live view of cameras including groups, alarm views and E-Map monitoring, Two-Way Audio and AudioBroadcasting |
| Playback | Multi Channel playback based on Time Search, Events, Time Slice and Tags |
| E-Map Support | Based on Static JPEG image / Live Google Maps® Location |
| TV Wall Management | Set TV Wall, and Encoders view (Including Live View, Playback and Alarm Popup Windows) |
| Resource Management | Manage your Cameras, recording devices and optional Ossia VMS hardware |
| Account and Permission | Up to 256 Accounts and Permission groups defined by the user |
| Alarm Center | View and configure alarm events and system responses |
| LPR Monitoring | Configure your LPR monitoring points, vehicles and access barriers |
| Face Recognition | Supporting All Provsion-ISR Face Recognition Devices + Multiple Device Database Sync. |
| Face Greeting | Have an external screen showing a greeting message for recognized faces |
| Face Attendance | Use the Ossia VMS as a simple attendance system based on face recognition |
| People Counting | Configure counting tasks for multiple supporting DDA cameras |
| Operation and Maintenance | See logs, and overall system status |
| Temperature Units | Set and monitor EC-001 devices including alarm events |
| Local Configuration | Configure all local settings regarding the Ossia VMS server / client configuration |
| Web-Client | Supporting Live View, PTZ Operation, Two-Way Audio, Event Search and Playback, Backup, E-Map Monitoring, System Status and System Configuration |

HARDWARE

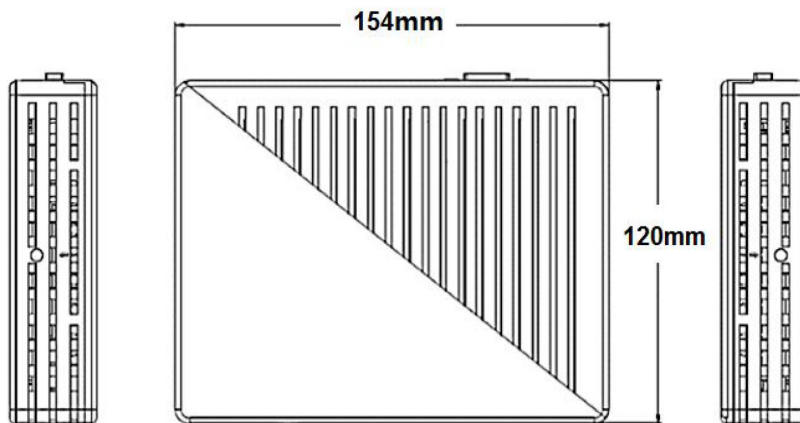
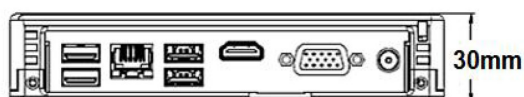
| | |
|---------------|---|
| CPU | Intel Pentium 4405U |
| GPU | Integrated Graphics, Intel HD Graphics 510 |
| RAM | 8GB DDR RAM (Non-Expandable) |
| Network Card | RJ45 10M/100M/1000M self-adaptive Ethernet port |
| HDD | Built-in 128GB SSD |
| PCI Expansion | None |
| SATA | None |

INTERFACE

| | |
|------------------|---|
| Display | 1 x HDMI (4K), 1 x VGA (1080P) |
| LAN | 1 x 1Gbps |
| Keyboard / Mouse | By USB only |
| USB | 6 Total (2 x USB3.0 + 2 x USB2.0 (Rear Panel) + 2 x USB3.0 (Front Panel)) |

| PERFORMANCE | |
|---------------------------|--|
| Display | HDMI + VGA Independent Display |
| Max Channels | 256 |
| Max Devices | 64 |
| Device Group Support | Yes |
| Local Decoding Capability | 32ch Single monitor 1080P: Up to 28 CH @ D1 - Dual monitor 1080P: Up to 12 CH @ D1 per monitor - Single monitor 4K: Up to 26 CH @ 720P - Dual monitor 4K+1080P: Up to 12 CH @ 720P per monitor |
| Incoming Bandwidth | 100Mbps |
| Outgoing Bandwidth | 100Mbps (Live + Transfer) |
| Max Streaming Capability | Depends on Bandwidth |
| Registered Users | Up to 256 |
| Max Online Users | 36 (4 By PC client, 32 by mobile App) |
| Fish-Eye Support | No Dewarping |
| PTZ Support | Movement / Presets Management |
| Recording | On storage server (when on server mode) |
| Local Playback | Up to 32ch |
| Remote Playback | Bandwidth / Client / Recording device restrictions apply |
| PLATFORM CONNECTIVITY | |
| Video Decoder | Yes (Up to 64 HDMI Outputs) |
| Storage Server | Yes (when on server mode) |
| Video Transfer Server | Yes (when on server mode) |
| Joystick | Yes |
| Client Support | Yes (4 By PC Client, 32 by Mobile App. Outgoing Bandwidth restriction apply) |
| Web-Client Support | No |
| GENERAL | |
| Management | Local Configuration, Remote management by PC Client |
| Installation | Desktop |
| Power | DC 12V/3A |
| Operation Temperature | Working: -5°C ~ 45°C, Standby: -20°C ~ 70°C |
| Noise | N/A |
| Protection Rate | None (Indoor Installation) |
| Dimensions | 154mm x 120mm x 30mm |
| Net Weight | ~0.47 |

OC-MSCL-S (DT)



RELATED PRODUCTS

MANAGEMENT SERVER + STORAGE SERVER:
OC-RS-16(3U)



DECODER
DEC-0104(1U)

