

RADWIN

2.5Gbps AC POE

Data Sheet



RW-9921-400X Series

Product Description

- » Indoor AC POE device for RADWIN radios
- » Up to 2.5Gbps Ethernet interface
- » 56Watts POE power output

Product Highlights

- » Carrier class POE injector
- » Supports up to 2.5GBASE-T Ethernet
- » Safety and EMC Certified for FCC/CE
- » Short Circuit and Overcurrent output protection
- » Standard IEC320 C6 AC inlet
- » Country specific AC cable is bundled per PN

Product Specifications:

Output	
DC Output Voltage – Rated	53-57V
POE scheme	4-pair passive POE (positive wires: 1,2,4,5, negative wires: 3,6,7,8)
DC Current per wire pair	250mA
Rated Power	56W
Output Ripple	Less than 500mV
LED Status Indicator	Power, Active
Input	
Voltage Range (Max)	90Vac to 264VAC
Frequency Range (Max)	47-63 Hz
Efficiency (Typical)	>85%
AC Current (Max)	Max 1300mA @ 90Vac
Inrush Current (Max)	150A/ 240VAC
Leakage Current (Max)	0.25mA (At nominal AC input voltage)
Protections	
Output Overcurrent	Limited between 1300 ~ 2000mA
Output Short Circuit	Supported
Electrostatic discharge	Direct discharge: ±6kV, Air discharge: ±10kV
Environmental	
Operating Temperature	0 deg to +40 deg
Humidity	35% ~ 95% RH non-condensing
Vibration	IEC publ. 68-2-6 (Non-Operational)
Other	
Dimension	138.5*62.5*32.3mm (L*W*H)
Weight	240g

Regulatory compliance:

Safety	
Safety Standards	EN/IEC 62368-1, UL 60950-1, CAN/CSA C22.2 No. 60950-1, BIS 13252
Isolation resistance	I/P-O/P:50MOhms / 500VDC / 25 / 70% RH
EMC	
EMC Standards	EN 55032, EN 55024, CISPR 32, CISPR 24, FCC Part 15 Subpart B
Other	
MTBF	50khrs min. MIL-HDBK-217F @ 25 Deg C

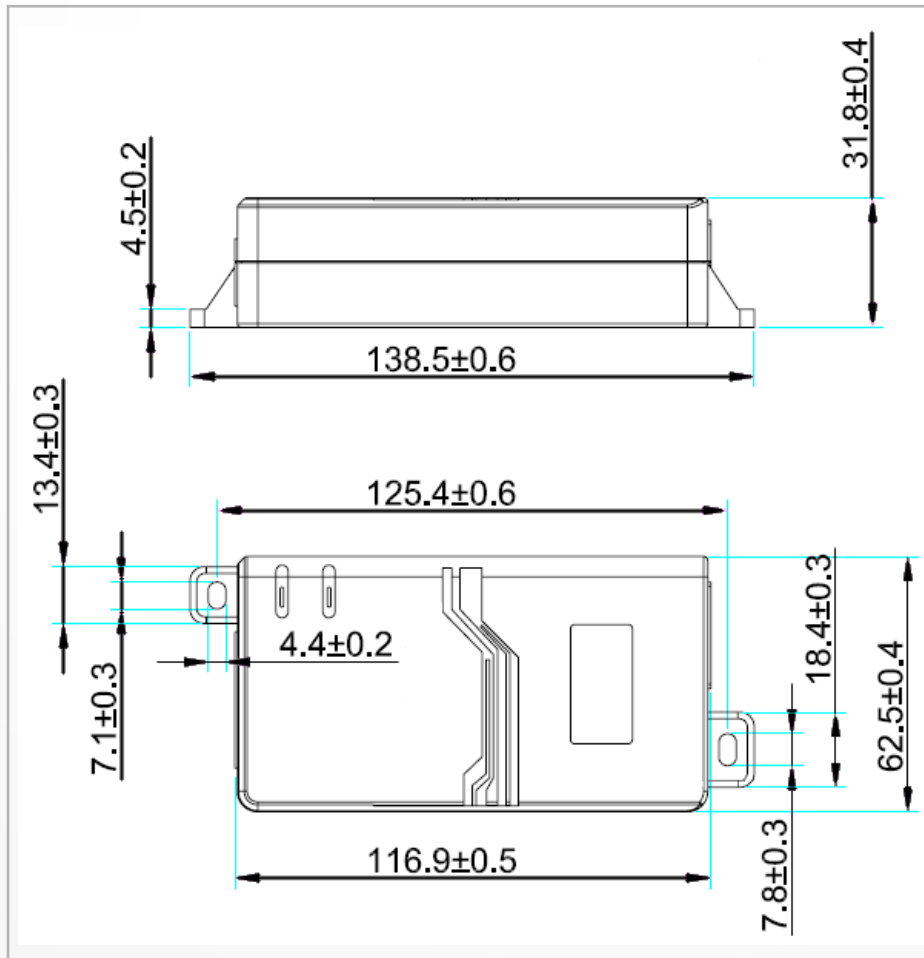
Product ordering:

Product Number	Name/Description	Plug type Details*
RW-9921-4001	2.5Gbe 56W AC POE 0.6m EU power cable	Type E (EU) 3 pin plug
RW-9921-4002	2.5Gbe 56W AC POE, 0.6m USA power cable	Type B (North/Central America) 3 pin plug
RW-9921-4003	2.5Gbe 56W AC POE, 0.6m UK power cable	Type G (UK) 3 pin plug
RW-9921-4004	2.5Gbe 56W AC POE, 0.6m India power cable	Type D (India) 3 pin plug
RW-9921-4005	2.5Gbe 56W AC POE, 0.6m China power cable	Type I (China) 3 pin plug
RW-9921-4006	2.5Gbe 56W AC POE, 0.6m Open connection	18AWG wires (Brown/Blue/Y-G)
RW-9921-4007	2.5Gbe 56W AC POE, 0.6m Argentina power cable	Type I (Argentina) 3 pin plug
RW-9921-4008	2.5Gbe 56W AC POE, 0.6m South Africa power cable	Type M (SA) 3 pin plug

*Plug types are according to IEC information that can be found at www.iec.ch/worldplugs/

Mechanical information:

The product has two fixing lugs as shown in the diagram below.



Datasheet information can be changed by manufacturer without prior notice