

# RADWIN

## 1Gbps 24W DC POE

### Data Sheet



RW-9921-1039

### Product Description

- » Low-cost DC POE device for RADWIN radios
- » 1Gbps interface
- » Up to 24 Watts POE power output

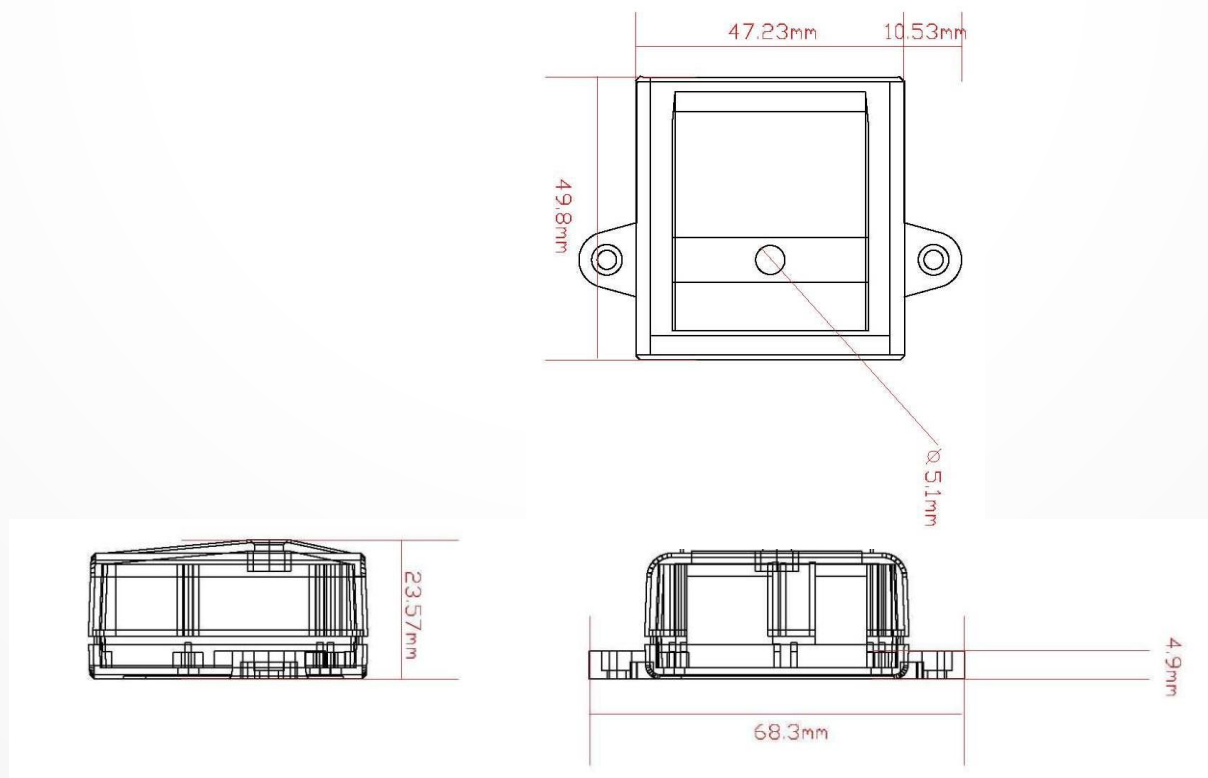
### Product Highlights

- » Passive POE injector
- » Supports up to 1000BASE-T Ethernet
- » Enables simple DC input feed for the radio device
- » Designed for shelf / wall installation

## Product Specifications:

<b>Output</b>	
DC Output Voltage	24-57VDC (passive device, output voltage same as input voltage)
POE scheme	2-pair passive POE (positive wires: 4,5, negative wires: 7,8)
DC Current per wire pair	0.5A@24W
Rated Power	24W
LED Status Indicator	Power
<b>Input</b>	
Voltage Range	24-57VDC
<b>Protections</b>	
Output Overcurrent	Not supported
Output Short Circuit	Not supported
<b>Environmental</b>	
Operating Temperature	0C to +40 C
Humidity	0% to 95% RH Non-Condensing
<b>Other</b>	
Dimension	49.8*68.3*23.6mm (L*W*H)
Weight	40g

## Mechanical drawing:



Datasheet information can be changed by manufacturer without prior notice