

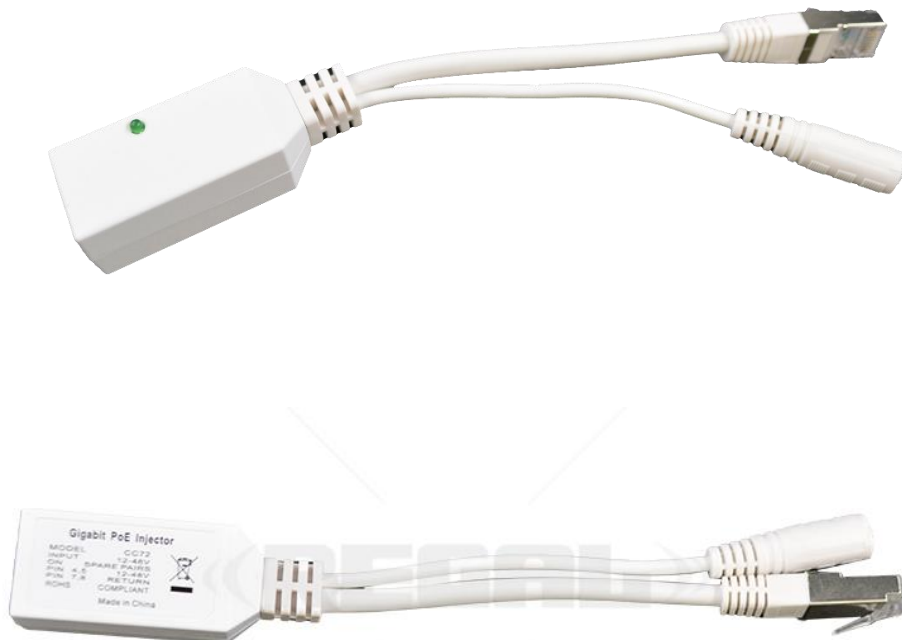


CC72 – Passive Gigabit PoE Injector or Splitter from 12V to 56V

The CC72 Gigabit PoE injector allows you to connect and power any device (Wi-Fi, IP Camera, Intercom and VoIP phone) that supports 12 to 56V PoE

Reduce the amount of cabling required by connecting the power source to the injector and using an ethernet cable to connect the injector to the device

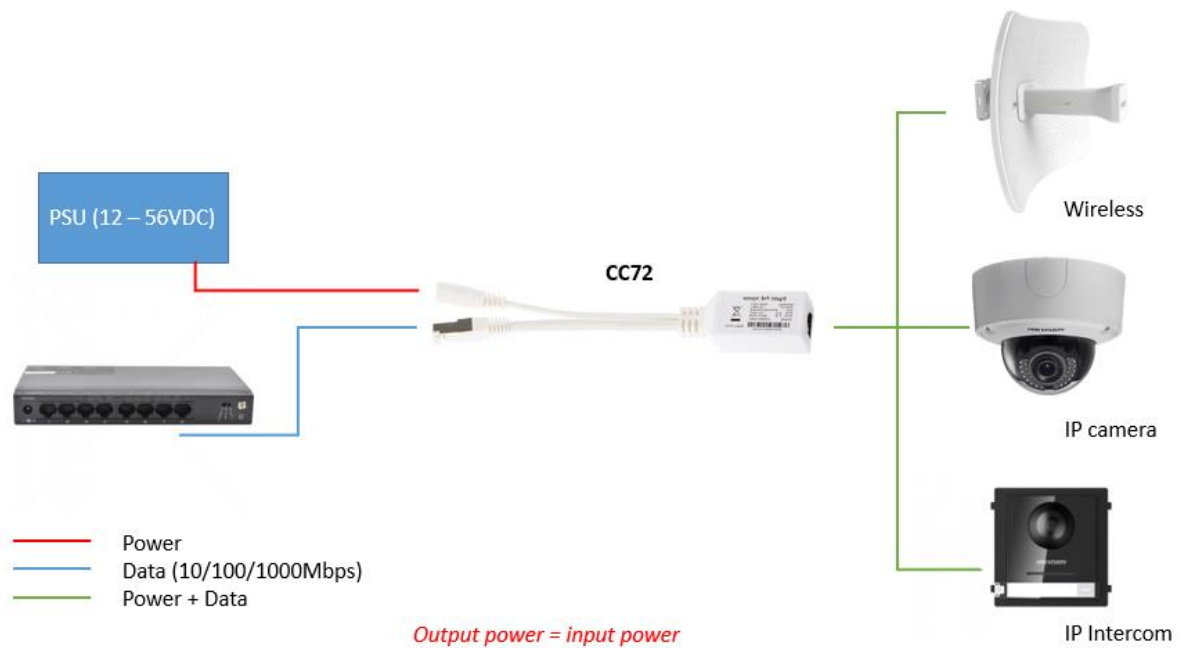
Front and Rear View



Features

- 1 x 10/100/1000 Shielded RJ45 Lan Port
- 1 x 10/100/1000 RJ45 Lan Port
- 1 x standard female power connector (2.1mm x 5.5mm)
- LED status indicator
- Operating Temperature – 0 to 65 °C
- **Power is always on**, - No auto-negotiation, Powers 802.3af / 802.3at devices passively
- Select the power supply you need 12 to 56 volts

Application



Technical Specifications

Hardware	
Ports	<ul style="list-style-type: none"> • 1 x Shielded RJ45 LAN Port • 1 x RJ45 LAN Port • 1 x Standard Female Power Connector (2.1mm x 5.5mm)
Power support	<ul style="list-style-type: none"> • Power input: 12VDC to 56VDC • Power output: matched to Input power • Power is always on, No auto-negotiation, Powers 802.3af / 802.3at devices “passively” • Maximum Current -1000mA (not fused)
PoE Operation	<p>Mode B Pins 4+5 (+) Pins 7+8 (-)</p>
Performance Specification	10/100/1000Mbps
Application	Ideal for IP Cameras, VOIP phone, Wi-Fi Access Points
Physical Specifications	Size(L*W*H) : 150mm*29mm*22mm
Working Environment	Operating Temperature: -0°C ~65°C
	LED Status Indicator
	Operating Humidity: 10%~90% non-condensing
	Storage Humidity: 5%~90% non-condensing

Packaging List

Item	Quantity
CC72	1