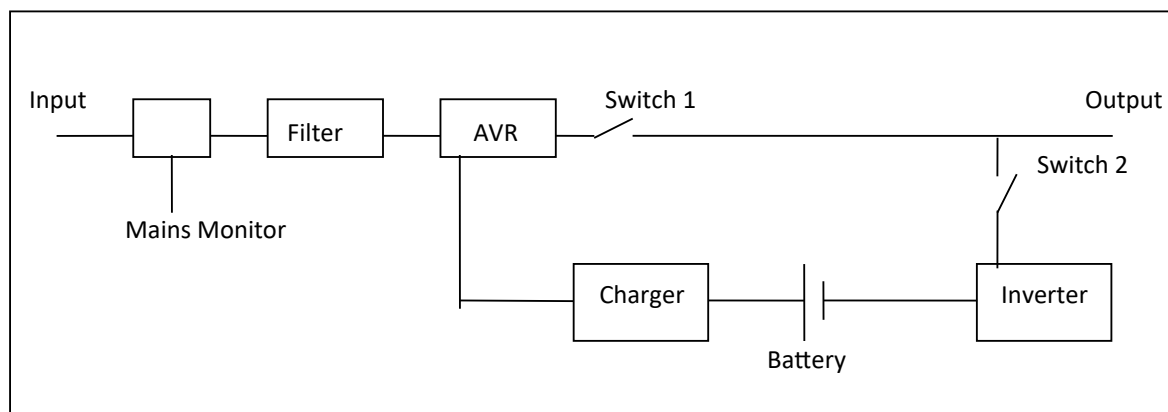


PM2300E-100LFP - 3 KVA Line Interactive Long Run Time UPS with Lithium-Iron battery pack

The PM200E Range is manufactured using a line Interactive design principal, and operates using a 220/240V 50Hz single phase input.

The UPS is designed to interact with the mains to supply a steady flow of power to computer equipment. A high powered filter is incorporated into the machine to protect against spikes and surges, as well as an automatic voltage regulator (AVR) to correct high or low voltage fluctuations on the input. The use of an AVR will help to increase the battery life of the UPS as it will be able to switch to battery power at a much lower (or higher) input voltage. The input is monitored and as soon as the mains drops below a preset level or fails completely the unit switches to battery inverted power. Switching time is well within the tolerance of modern computer power supplies, and the output is a pure sine wave matching the mains. The units are designed to run with external battery packs.



| Features | Benefits |
|------------------------------------|---|
| Line Interactive UPS Design | The PowerMan PM200 range is designed to operate as a UPS to offer extra protection to sensitive electronic equipment. The unit has a built in two step Automatic Voltage Regulator (AVR) will reduce high input voltages and increase low level input voltages. |
| Spike and Surge Protection | Built in filters to protect computers against harmful spikes and surges when ESKOM switches on or off, or other loads that may have an impact on the supply voltage. |
| Sine Wave Output | The inverter produces a pure sine wave output similar to normal mains so can be used to power any equipment. |
| Lithium-Iron Battery Pack | The LiFePo4 (Lithium-Iron Phosphate) battery offers many advantages over the traditional lead acid batteries. Fast recharge time (4 to 5 hours), ability to cycle ten times more than a traditional battery, smaller and lighter than a traditional battery |
| Generator Compatible Input | All units are compatible with a generator providing the generator frequency is within 5 Hz. |
| DC Start Capability | Units are able to start and run with no mains input. Essentially the units can be run as a straightforward inverter if necessary. |
| Communication Ports | Units are fitted with a USB communication port. This can be connected to the USB port of a computer, and in conjunction with various software packages can supply information on the status of the UPS and perform an unattended shut down of the computer. |

Specifications

| | | | | | |
|---|--|-------------------|--------------------|--------------------|---------------------|
| Model No. | PM2300E-100LFP | | | | |
| Capacity VA (Watts) | 3000 (2400) | | | | |
| Input Voltage | 230V AC \pm 25% | | | | |
| Input Frequency | 50 Hz \pm 10% | | | | |
| Transfer Time | Typical 2 to 7ms, maximum 10ms | | | | |
| Output Voltage On Inverter | 230V AC \pm 3% | | | | |
| Frequency on Inverter | 50 Hz Crystal Controlled | | | | |
| Inverter Wave Form | Sine Wave | | | | |
| Total Harmonic Distortion (THD) | < 3% | | | | |
| Efficiency At Full Load | > 90% | | | | |
| Overload Capability | 150% For 30 seconds, then by-pass | | | | |
| Ambient Operation | 3000M Max Elevation, 0 to 40 C, 20 to 90% Humidity | | | | |
| Audible Noise At 1 M | < 45 dbA | | | | |
| Short Circuit Protection | Yes | | | | |
| Low Battery Shutdown | Yes | | | | |
| Controls | Mains Fail Alarm (Slow intermittent beep), Low Battery Alarm (Continuous beep), Mains on indicator, Charging indicator, Diagnostic software via USB port | | | | |
| UPS Dimensions (w x d x h) mm & Weight | 190 x 467 x 336 @ 28 Kgs | | | | |
| UPS Warranty | 24-Months Carry In | | | | |
| Battery Pack | 1 x 48V100Ah LiFePo4 Battery (10 year / 6000 cycle design @ 80% DOD) | | | | |
| Dimensions (W x L x H) | 442mm x 420mm x 135mm @ 45Kg | | | | |
| Battery Pack Warranty | 5 Years or 3000 Cycles @ 80% depth of discharge (DOD) | | | | |
| Backup Time | Load | 600W (25%) | 1,2KW (50%) | 1,8KW (75%) | 2,4KW (100%) |
| | | Time | 8 Hours | 4 Hours | 2,6 Hours |

Specifications are subject to change without notification

