

NDA-U-PMTS Pendant pipe mount, 4" (11 cm)

www.boschsecurity.com



BOSCH

Invented for life



- ▶ Short pendant pipe mount for suspended camera installation
- ▶ Modular design for fast and easy installation
- ▶ Weather resistant finish to maintain cosmetic appearance
- ▶ Vandal resistant design for indoor and outdoor use

The modular camera mounts & accessories are a family of mounts, mounting adapters, pendant interface plates and surveillance cabinets which can be used with a wide range of Bosch cameras. The accessories are easy to install and can be combined to simplify installation in multiple locations whilst retaining the same look and feel.

Functions

Short pendant pipe mount



The short pendant pipe mount allows the installation of a camera suspended from a ceiling. The mount supports easy cable management or can be combined with an additional surface mount box for conduit connections.

Universal accessory combinations

It provides a safe and robust solution to mount cameras directly to a ceiling, or it can be used in combination with:

- NDA-U-PSMB Pendant wall/ceiling mount SMB
- NDA-U-PA0/1/2 Surveillance cabinet
- NDA-U-WMP Wall mount plate

Certifications and approvals

Environmental

Salt mist	IEC60068-2-52
Vibration	NEMA TS2
Shock	IEC60068-2-27
Impact	IK10

Parts included

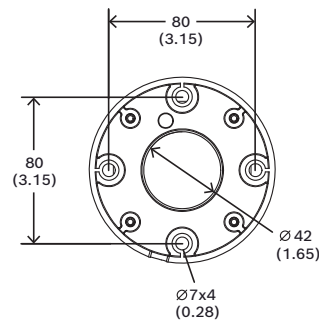
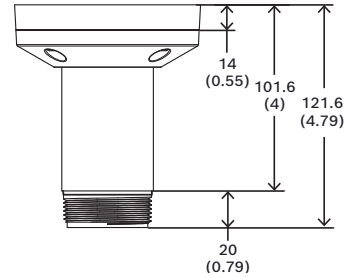
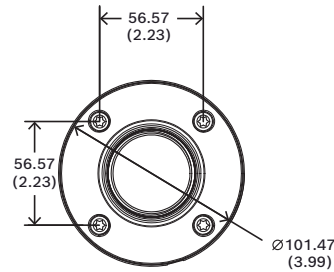
Quantity	Component
1	Universal short straight pipe, 4"
1	Universal flange cover

Quantity	Component
1	Universal direct connect plate
4	M5 x 16 mm pan head Torx screw with Zinc coating
1	T25 Torx key
1	Thread seal tape: PTFE tape
1	Quick installation guide

Technical specifications

Mechanical

	NDA-U-PMTS Pendant pipe mount, 4" (11 cm)
Dimensions (with mounting flange)	Φ 101.5 mm (4 in.); L = 101.6 mm (4 in.)
Weight (g)	351 g
Weight (lb)	0,77 lb
Color in RAL	RAL 9003 Signal white
Material	Aluminum



Dimensions in mm (inch)

Ordering information

NDA-U-PMTS Pendant pipe mount, 4" (11 cm)

Universal pendant pipe mount for dome cameras, 11 cm (4"), white
Order number **NDA-U-PMTS**

Represented by:

Europe, Middle East, Africa:
Bosch Security Systems B.V.
P.O. Box 80002
5600 JB Eindhoven, The Netherlands
Phone: + 31 40 2577 284
emea.securitysystems@bosch.com
emea.boschsecurity.com

Germany:
Bosch Sicherheitssysteme GmbH
Robert-Bosch-Ring 5
85630 Grasbrunn
Germany
www.boschsecurity.com

North America:
Bosch Security Systems, LLC
130 Perinton Parkway
Fairport, New York, 14450, USA
Phone: +1 800 289 0096
Fax: +1 585 223 9180
onlinehelp@us.bosch.com
www.boschsecurity.us

Asia-Pacific:
Robert Bosch (SEA) Pte Ltd, Security Systems
11 Bishan Street 21
Singapore 573943
Phone: +65 6571 2808
Fax: +65 6571 2699
apr.securitysystems@bosch.com
www.boschsecurity.asia