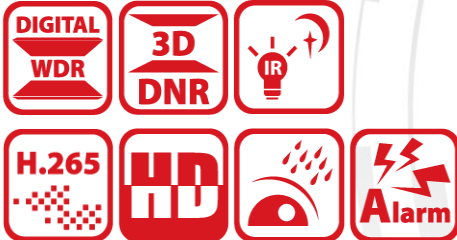


iDS-MCD202-B 2 MP Network Portable IR Speed Dome



Introduction

iDS-MCD202-B is a high-definition integrated portable IR speed dome embedded with audio encoding/decoding, video encoding/decoding, 3G/4G, Wi-Fi, and satellite positioning. It integrates vehicle arming, etc., widely applied in temporary operation scenes.

Key Feature

Video

- 1/2.8" progressive scan CMOS; 1920 × 1080/1280 × 720 resolution
- H.265/H.264/MJPEG video compression
- 30× optical zoom, 16× digital zoom
- HLC/BLC/3D DNR/Defog/EIS
- Up to 100 m IR distance

Storage

Built-in dual TF card slots, up to 256 GB for each TF card

Communication Module

One 4G module and two extended 4G modules; 802.11 b/g/n/ac Wi-Fi; GPS positioning module; Bluetooth 4.0

Usability

- Quick installation with the magnetic base and the tripod bracket
- Wi-Fi AP, which allows you to connect the mobile phone to the camera directly and control the camera conveniently
- Pluggable battery for continuous work for 9 hours
- Replaceable battery for sustainable work
- 360° endless pan and -20° to 90° (auto-flip) tilt movement range for PTZ
- Embedded screen for status display, e.g. battery, GPS, 3G/4G, record status, storage capacity, Bluetooth, platform access, Wi-Fi, and smart algorithm mode
- Supports accessing via IE browser and client, and remote operation
- Supports importing customized audio, linking with smart analysis alarm



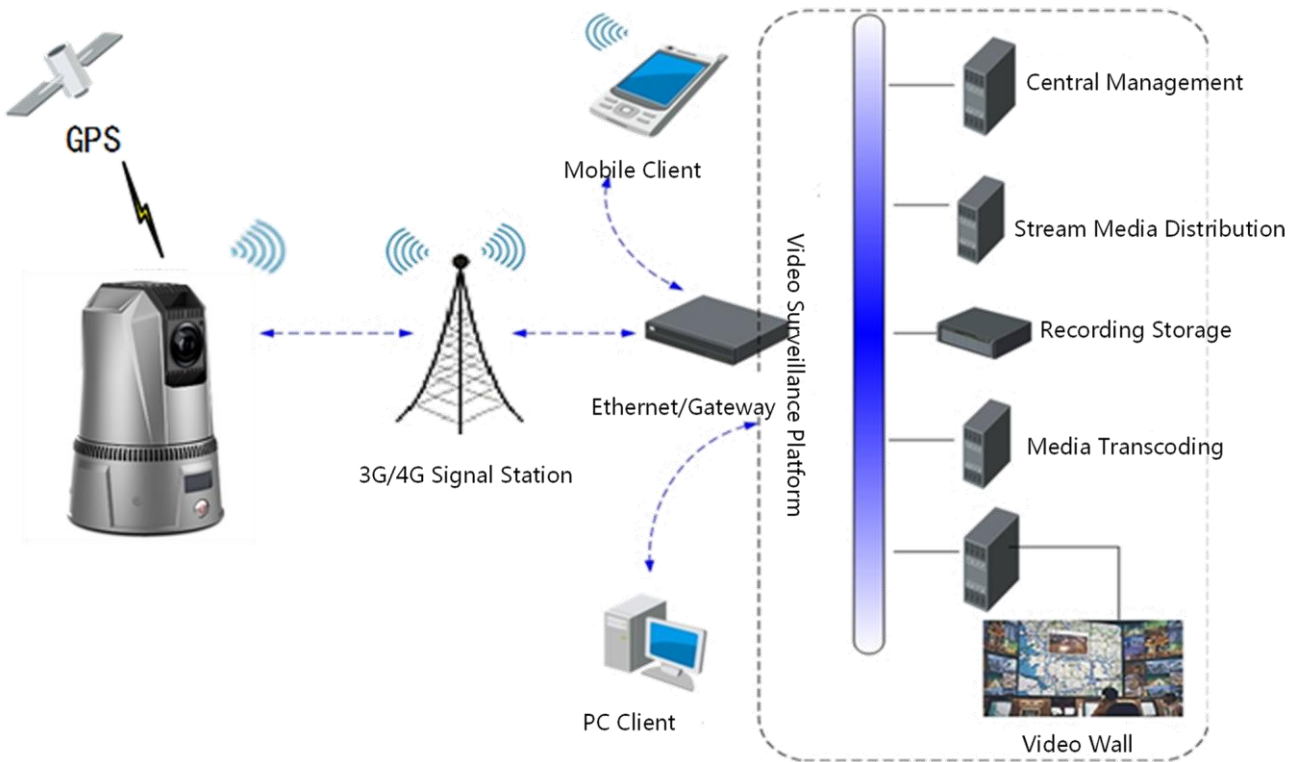
Smart Function

Vehicle detection and capture

Available Model

iDS-MCD202-B/30X/N/GLE

Typical Application



Specification

Camera Module	
Image Sensor	1/2.8" progressive scan CMOS
Min. Illumination	Color: 0.05 Lux@(F1.6, AGC ON) B/W: 0.01 Lux@(F1.6, AGC ON) 0 Lux with IR
S/N Ratio	> 56 dB
TF Card	Built-in dual TF card slots, up to 256 GB per card
Video Standard	PAL/NTSC
White Balance	Auto
Shutter Time	1/1 s to 1/30,000 s
Day & Night	IR cut filter
Digital Zoom	16×
Focus Mode	Auto/Semi-automatic/Manual
WDR	Digital WDR
Lens	
Focal Length	4.5 mm to 135 mm, 30× optical
Zoom Speed	Approx. 4 s (optical lens, wide-tele)
FOV	Horizontal: 60.5° Vertical: 36°
Minimum Photographic Distance	10 mm to 1500 mm (wide-tele)
Aperture Range	F1.6 to F4.4
IR	
IR Distance	Up to 100 m (body outline is available)
IR Intensity	Automatically adjustable, depending on the zoom ratio
Compression Standard	
Video Compression	H.265/MJPEG/H.264
H.264 Type	Baseline profile/Main profile/High profile
H.265 Type	Main profile
Video Bitrate	32 Kbps to 16 Mbps
Audio Compression	G.711a, G.711u, G.722.1
Image	
Resolution	Main stream: 50 Hz: 25 fps (1920 × 1080), 60 Hz: 30 fps (1920 × 1080) Sub-stream: 50 Hz: 25 fps (1920 × 1080), 60 Hz: 30 fps (1920 × 1080)
Image Enhancement	HLC/BLC/3D DNR/Defog/EIS
PTZ	
Movement Range (Pan)	360° endless
Movement Range (Tilt)	-20° to 90° (Auto-flip)
Arming Location	256 arming locations 8 scan patrols

Network	
Communication	FDD LTE (Band 1, Band 3, Band 7, Band 8, and Band 20), WCDMA/HSDPA/HSUPA/HSPA+ (Band 1, Band 8), GSM/GPRS/EDGE (900 MHz/1800 MHz), Double 3G/4G modules (customized)
Wi-Fi	802.11 b/g/n/ac, 2.4 GHz/5 GHz, supporting Wi-Fi AP remote live view
GPS System	Supports GPS/BDS/mixed positioning
Protocols	EHome 2.0, ISUP, ISAPI, SDK, ONVIF
Interface	
Network Interface	1 RJ45 10 M/100 M Ethernet Interface
Bluetooth	BT 4.0
Audio Input	Dual mic
Audio Output	Loudspeaker
Smart Function	
Vehicle Arming	Supports checkpoint. Supports recognition of vehicle license plate number, color, type, and brand.
External Interface	
10-Core Main Aviation Plug	RS-232, RJ45, power supply
9-Core Secondary Aviation Plug (optional)	RS-485, 1 LINE IN/LINE OUT, 5 V output, 1 alarm input/output
General	
Power	12 VDC
Consumption	10 W in typical when 4G, Wi-Fi, Bluetooth, and PTZ rotating are off
Battery Capacity	13400 mAh
Working Environment	Working Temperature: -10 °C to 55 °C (14 °F to 131 °F) Working Humidity: ≤ 95% (no condensation)
Protection Level	IP66 standard; TVS 2000 V lightning protection, surge protection, and voltage transient protection
Package Dimension	340 × 235 × 330 mm (13.4" × 9.3" × 13")
Net Weight	Approx. 3.7 kg (8.16 lb)
Rough Weight	Approx. 5.9 kg (13 lb)
Accessory	1 × AC power cable 1 × adapter 1 × battery 1 × safety rope 1 × screwdriver 1 × 10-core main aviation cable

Note:

- Battery life is affected by environment and device configuration. In general condition, the battery capacity will reduce after one-year usage.
- About 9-hour working time in standby status when 4G, IR, Wi-Fi, PTZ, and storage are disabled.

Accessory (Optional)

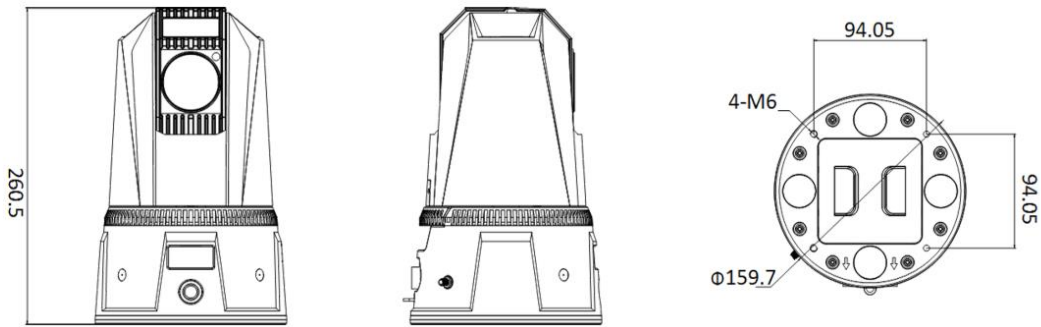


Battery Charger
DS-MH1491



Tripod
DS-MH1691-H

Dimension



Unit: mm

Distributed by



HIKVISION

Headquarters
No.555 Qianmo Road, Binjiang District,
Hangzhou 310051, China
T +86-571-8807-5998
overseasbusiness@hikvision.com