

MEGAenclosures Access Chamber (300x300mm)

The FTTx Access Box is a micro handhole that provides easy access to feeder distribution cables and/or ducts. This box allows for mid-span breakout from distribution cable, or duct, to the customer premises for FTTH/FTTB network deployment, configured to house enclosures and cable slack.



Features

- The lid is removable to provide maximum entry into the Access Box and is tethered to the top.
- Customer branding can be accommodated by utilising the 70x30mm space provided on the lid.
- Lid colour is tailored to customer requirements.
- The unit is lockable using a mechanical lock with a universal key.
- A dust cap prevents the soiling of the mechanical lock.
- The top is designed with a gutter to drain water run-off from the lid and therefore requires no rubber seal between the lid and top.
- The main body was designed with a ribbed structure for increased compression strength.
- Tested for mechanical strength in accordance with SANS 554: 2016
- Equipped with a quick clip mechanism to secure the top to the base with little effort. This provides for rapid assembly time.
- The top and base are split for retrofitting onto an existing plant. It can be split post-installation for maintenance.
- Drainage is provided in the base.
- The Access Box is equipped with port caps and knockouts of variable sizes ranging between 8.0mm to 50mm. A split port cap is available for retrofitting over the existing plant.

Application

- FTTH & FTTB Optical Network deployment

Product Specification

Description	Value
Main Entry Ports	4
Port Cap Range	32mm 40mm 50mm
Split Port Cap Range	32mm to 50mm
Supplementary Ports	4
Knock-Out Port Range	8.0mm 20.0mm PG13.5 Gland ready port
Material	PP80 Cal 20, UV Stabilised
Load Bearing Strength	1 800kg
Dimensions	Top footprint – 190mm x 190mm Base footprint – 330mm x 330mm Height – 300mm



Standard Contents

- 1 x Box Lid
- 1 x Mechanical Lock
- 1 x Dust Cap
- 1 x Access Box Top
- 1 x Access Box Base
- 4 x Main Entry Port Caps

Optional

- Universal Key on Request
- Split Port Cap
- Bespoke Lid Colour
- Customer Branding



Box Lid



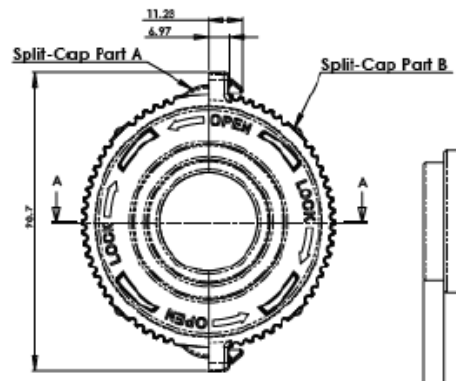
Box Bottom



Box Top



Box Port Caps



Box Split Port Cap

Ordering Information

Product Code	Description
MEGAMEXFSM02	MEGAenclosures Access Chamber (300x300mm)

V 2021/01