

## DS-2CV2026G0-IDW

### 2 MP EXIR Fixed Bullet Wi-Fi Network Camera



- 1/2.8" Progressive Scan 2MP CMOS
- Human and Vehicle Classification
- Strobe Light and Audible Warning
- Built-in dual antenna 2.4G Wi-Fi, up to 120m range in open area
- Built-in microphone and speaker, support two-way audio
- H.265,H.264
- EXIR, 30m IR range
- IP66 Dust and water proof
- Built-in micro SD/SDHC/SDXC card slot, up to 256 GB



## ▪ Specification

Camera	
Image Sensor	1/2.8" Progressive Scan CMOS
Min. Illumination	Color: 0.009 Lux @ (F1.6, AGC ON), 0 Lux with IR on
Shutter Speed	1/3 s to 1/100,000 s
Slow Shutter	Yes
Wide Dynamic Range	120 dB
Day & Night	ICR Cut
Angle Adjustment	Pan: 0° to 360°, tilt: 0° to 90°, rotate: 0° to 360°
Lens	
Lens Type & FOV	2.8 mm, horizontal FOV: 101°, vertical FOV: 54°, diagonal FOV: 119°; 4 mm, horizontal FOV: 82°, vertical FOV: 44°, diagonal FOV: 97°
Aperture	F1.6
Lens Mount	M12
Illuminator	
IR Range	Up to 30 m
Wavelength	850 nm
Smart Supplement Light	Yes
Visual Alarm	Yes
Video	
Max. Resolution	1920 × 1080
Main Stream	50Hz: 25 fps (1920 × 1080, 1280 × 720) 60Hz: 30 fps (1920 × 1080, 1280 × 720)
Sub Stream	50Hz: 25 fps (640 × 360) 60Hz: 30 fps (640 × 360)
Video Compression	Main stream/Sub-stream: H.265/H.264
Video Bit Rate	32 Kbps to 8Mbps
H.264 Type	BaseLine Profile/Main Profile
H.265 Type	Main Profile
Stream Type	Main stream and sub-stream
Region of Interest (ROI)	1 fixed region for main stream
Audio	
Environment Noise Filtering	Yes
Audio Sampling Rate	8 kHz/16 kHz
Audio Compression	G.711/G.722.1/G.726/MP2L2/PCM
Audio Bit Rate	64Kbps(G.711)/16Kbps(G.722.1)/16Kbps(G.726)/32-160Kbps(MP2L2)
Network	
Simultaneous Live View	Up to 6 channels
API	ISAPI, SDK
Protocols	TCP/IP, ICMP, HTTP, DHCP, DNS, DDNS, RTP, RTSP, R TCP, NTP, UPnP, SMTP, IGMP, QoS, IPv6, UDP, Bonjour, SSL/TLS
User/Host	Up to 32 users 3 levels: administrator, operator and user

Security	Password protection, complicated password, HTTPS encryption, 802.1X authentication (EAP-TLS, EAP-LEAP, EAP-MD5), watermark, IP address filter, basic and digest authentication for HTTP/HTTPS, WSSE and digest authentication for ONVIF, RTP/RTSP OVER HTTPS, Control Timeout Settings, Security Audit Log, TLS 1.2
Network Storage	NAS (NFS, SMB/CIFS)
Client	Wired network: Hik-Connect, iVMS-4200 Wi-Fi: iVMS-4200 *Wi-Fi connection with Hik-Connect directly is not possible.
Web Browser	Plug-in required live view: IE8+, Chrome41.0-44, Firefox30.0-51, Safari8.0-11 Plug-in free live view: Chrome 45.0+, Firefox 52.0+
<b>Wi-Fi</b>	
Encryption Mode	64/128-bit WEP, WPA-EAP/WPA2-EAP, WPA-PSK/WPA4-PSK
Wi-Fi Protocol	IEEE802.11b, 802.11g, 802.11n
Frequency Range	2.4 GHz - 2.4835 GHz
Channel Bandwidth	20/40 MHz
Modulation	802.11b: CCK, QPSK, BPSK 802.11g/n: OFDM
Wireless Range	Up to 120 m (The performance varies based on actual environment.)
<b>Image</b>	
Day/Night Switch	Day/Night/Auto/Schedule
Image Enhancement	BLC, HLC, 3D DNR
Image Settings	Saturation, brightness, contrast, sharpness, AGC, and white balance are adjustable by client software or web browser
<b>Interface</b>	
On-board Storage	Built-in micro SD/SDHC/SDXC slot, up to 256 GB
Hardware Reset	Yes
Communication Interface	1 RJ45 10M/100M self-adaptive Ethernet port
<b>Event</b>	
Smart Event	Intrusion detection, line crossing detection, region entrance detection, region exiting detection
<b>Intelligent (Traditional Algorithm)</b>	
Basic Event	Motion detection, flashing alarm light output, audible alarm output, exception (network disconnected, IP address conflict, illegal login, HDD full, HDD error)
<b>General</b>	
Linkage Method	Upload to NAS/memory card, notify surveillance center, trigger record, trigger capture, strobe light, audible warning
Online Upgrade	Yes
Firmware Version	V5.5.132
General Function	One-key reset, anti-flicker, heartbeat, mirror, password protection, watermark, IP address filter, flash log, pixel counter
Software Reset	Yes
Storage Conditions	-30 °C to 60 °C (-22 °F to 140 °F)
Startup and Operating Conditions	-30 °C to 60 °C (-22 °F to 140 °F)
Power Supply	12 VDC ± 25%, reverse polarity protection

Power Consumption and Current	12 VDC, 0.67 A, max. 8.0 W
Power Interface	Ø5.5 mm coaxial power plug
Material	Front cover: metal, back cover: plastic
Camera Dimension	175.6× 73.0 × 89.1mm (6.91" × 2.87" × 3.51")
Package Dimension	260 × 125 × 125 mm (10.24" × 4.92" × 4.92")
Camera Weight	Approx. 450 g (0.99 lb.)
With Package Weight	Approx. 770 g (1.70 lb.)
<b>Approval</b>	
EMC	FCC ID (47 CFR Part 15, Subpart B); CE-EMC (EN 55032: 2015, EN 61000-3-2: 2014, EN 61000-3-3: 2013, EN 50130-4: 2011 +A1: 2014); RCM (AS/NZS CISPR 32: 2015); IC (ICES-003: Issue 6, 2016); KC (KN 32: 2015, KN 35: 2015)
RF	FCC ID (FCC Part 15.247 (BT or 2.4G)); IC ID (RSS-247 (BT or 2.4G)); CE-RED (EN 301489-1 V2.1.1(BT or 2.4G); EN 301489-17 V3.1.1(BT or 2.4G); EN 300328 V2.1.1(BT or 2.4G); EN 62311:2008(BT or 2.4G)); WPC (EN 301 489-1 V2.1.1(BT or 2.4G); EN 301 489-17 V3.1.1(BT or 2.4G); EN 300 328 V2.1.1(BT or 2.4G); EN 62311:2008(BT or 2.4G); EN 55032:2015; EN 61000-3-2:2014; EN 61000-3-3:2013; EN 50130-4:2011 +A1:2014); KC (KN 32:2015; KN 35: 2015; KN 301489-1; KN 301489-17); ICASA (EN 301 489-1 V2.1.1(BT or 2.4G); EN 301 489-17 V3.1.1(BT or 2.4G); EN 300 328 V2.1.1(BT or 2.4G); EN 62311:2008(BT or 2.4G); EN 55032:2015; EN 61000-3-2:2014; EN 61000-3-3:2013; EN 50130-4:2011 +A1:2014; EN 60950-1:2005 + Am 1:2009 + Am 2:2013)
Safety	UL (UL 60950-1); CB (IEC 60950-1:2005 + Am 1:2009 + Am 2:2013); CE-LVD (EN 60950-1:2005 + Am 1:2009 + Am 2:2013); BIS (IS 13252(Part 1):2010+A1:2013+A2:2015); LOA (IEC/EN 60950-1)
Environment	CE-RoHS (2011/65/EU); WEEE (2012/19/EU); Reach (Regulation (EC) No 1907/2006) Reach Regulation (EC) No 1907/2006
Protection	Ingress protection: IP66 (IEC 60529-2013)

### ▪ Available Model

DS-2CV2026G0-IDW(2.8/4 mm)

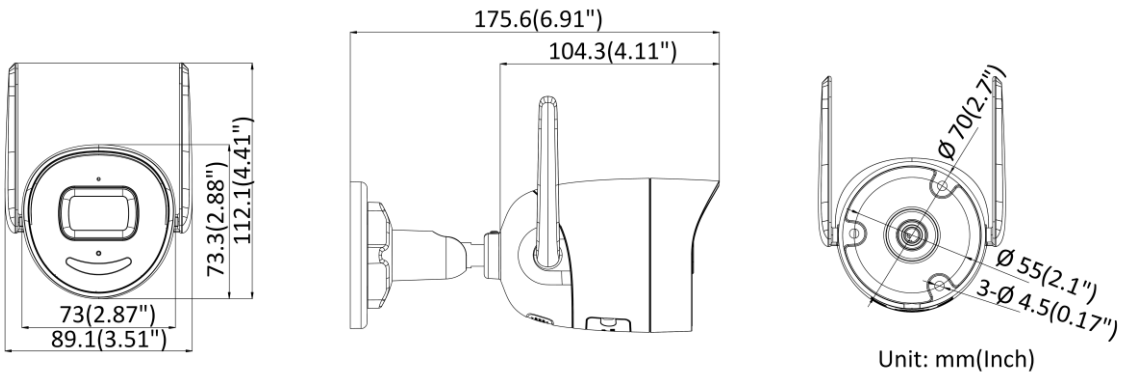
### ▪ Typical Application

Hikvision products are classified into three levels according to their anti-corrosion performance. Refer to the following description to choose for your using environment.

This model has NO SPECIFIC PROTECTION.

<b>Level</b>	<b>Description</b>
Top-level protection	Hikvision products at this level are equipped for use in areas where professional anti-corrosion protection is a must. Typical application scenarios include coastlines, docks, chemical plants, and more.
Moderate protection	Hikvision products at this level are equipped for use in areas with moderate anti-corrosion demands. Typical application scenarios include coastal areas about 2 kilometers (1.24 miles) away from coastlines, as well as areas affected by acid rain.
No specific protection	Hikvision products at this level are equipped for use in areas where no specific anti-corrosion protection is needed.

▪ **Dimension**



▪ **Accessory**

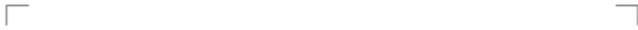
▪ **Optional**

**DS-1280ZJ-XS**

**Junction box**



Distributed by



**HIKVISION®**

**Headquarters**

No.555 Qianmo Road, Binjiang District,  
Hangzhou 310051, China  
T +86-571-8807-5998  
overseasbusiness@hikvision.com