

Paxton10 Single Door Controller

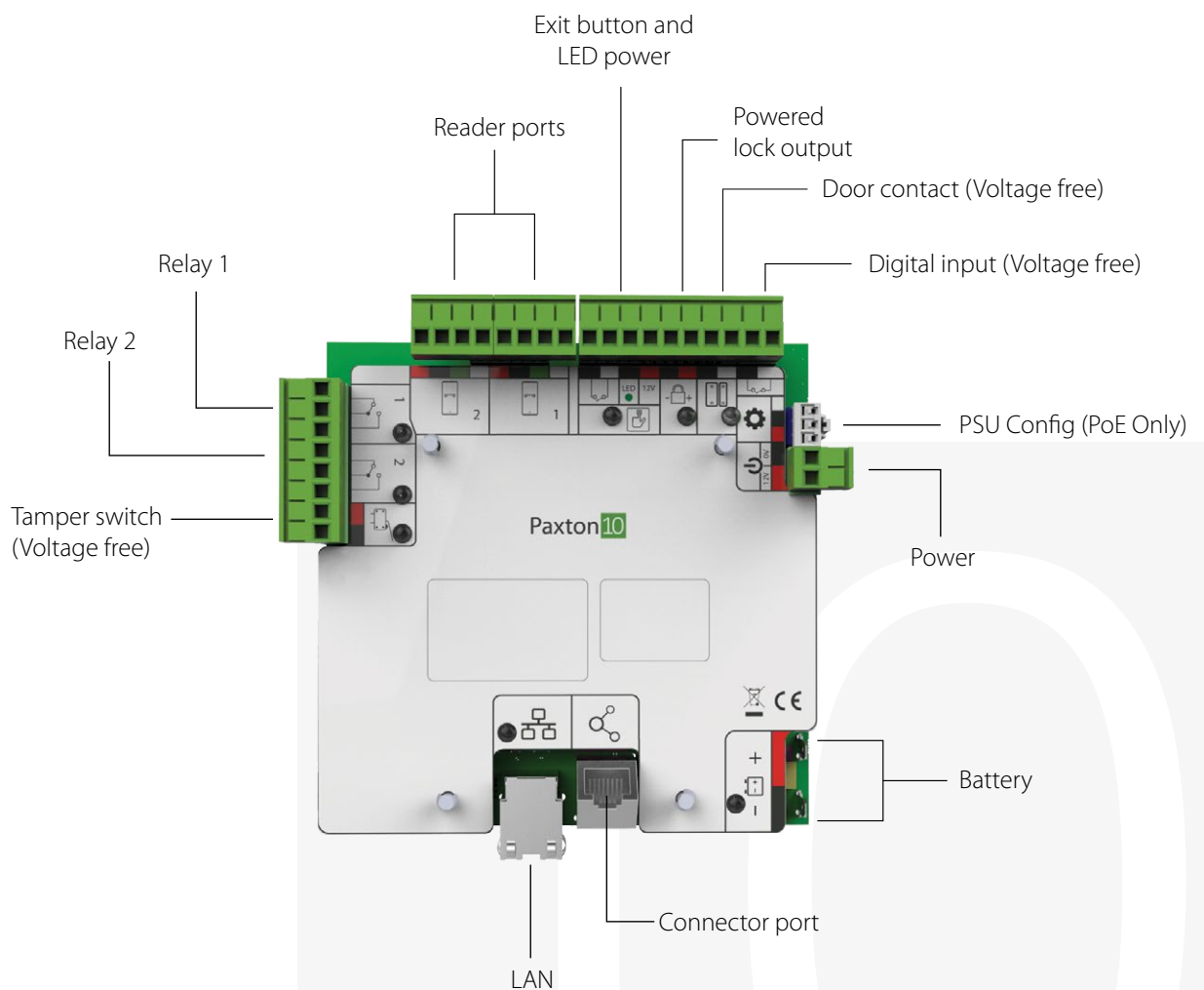
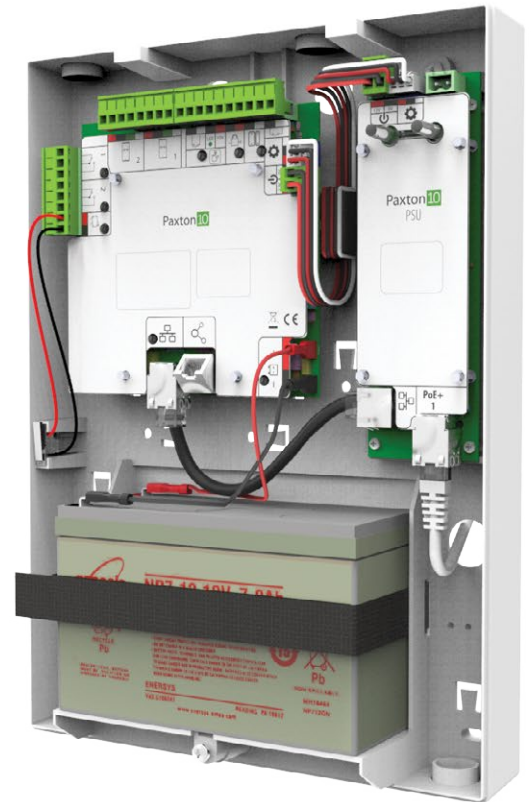
Overview

The Paxton10 Single Door Controller has been designed with simplicity in mind. Clearly labelled terminals result in hassle free installation for control and monitoring of a door.

Offering installation flexibility with the option to power either by 12Vdc or making use of existing network infrastructure to power via PoE.

Features

- Simple plug-and-play installation
- Locally stored programming enables the system to continue working if connection to the server is lost
- 5 year warranty
- Available with either PoE or 12Vdc power supply
- Backup battery connectors
- Powered lock output





Electrical

Power consumption	
While battery charging	Idle – 97ma/5.08W Max -108ma/5.6W
While battery full	Idle – 48ma/2.53W Max – 105ma/5.5W
Controller input voltage	12V dc
Backup battery	12V dc, 7Ah (Optional)
Lock output	12V dc/ 1A
Relay rating	30V dc/ 2A
RS485 connector output	24V dc, 750mA max (Paxton connectors only)
RS485 reader output	12V dc, 1A max (Paxton readers only)
PoE Power Supply	INPUT: 36-57V dc, 25.5W (IEEE 802.3at Type 2) OUTPUT: 12.8V dc, 1.8A
2A Power Supply	INPUT: 100-240V AC, 50/60Hz, 1.2A OUTPUT: 13.8V dc, 2A



Communication

Data connection	IP
-----------------	----



Hardware

Dimensions (W x H x D)	236mm x 322mm x 77mm
Door contact input	Yes
Voltage free digital input	1
Exit button input	Push to make
Tamper input	Yes
Relays	2
Maximum number of readers/keypads per door	2
Warranty	Paxton 5 year



Environment

Operating temperature	0-45 degrees
IP Rating	N/A
Mounting	Wall