

IPC-T200

1 MP IR Fixed Turret Network Camera



Key Features

- 1/4" progressive scan CMOS
- 1280 × 720@30fps
- 2.8, 4, 6 mm fixed lens
- H.264+, H.264
- Color: 0.01 Lux @(F1.2, AGC ON), 0.028 Lux @(F2.0, AGC ON)
- BLC/3D DNR
- IP67
- Digital WDR

Specification

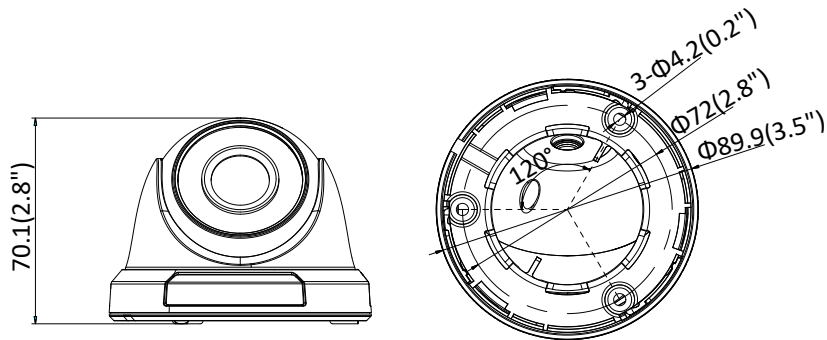
Camera	
Image Sensor	1/4" Progressive Scan CMOS
Min. Illumination	Color: 0.01 Lux @(F1.2, AGC ON), 0.028 Lux @(F2.0, AGC ON); B/W: 0.0024 Lux @(F1.2, AGC ON), 0.0067 Lux @(F2.0, AGC ON), 0 Lux with IR
Shutter Speed	1/3 s to 1/100, 000 s
Slow Shutter	Yes
Auto-Iris	No
Day & Night	IR cut filter
Digital Noise Reduction	3D DNR
WDR	Digital WDR
Angle Adjustment	Pan: 0° to 360°, tilt: 0° to 75°, rotation: 0° to 360°
Lens	
Focal Length	2.8, 4, 6 mm
Aperture	F2.0
Focus	No
FOV	2.8 mm @F2.0, horizontal FOV 89°, vertical FOV 50°, diagonal FOV: 102° 4 mm @F2.0, horizontal FOV 68°, vertical FOV 38°, diagonal FOV: 78° 6 mm @F2.0, horizontal FOV 56°, vertical FOV 31°, diagonal FOV: 64°
Lens Mount	M12
IR	
IR Range	2.8/4 mm: up to 20 m 6 mm: up to 30 m
Wavelength	850 nm
Compression Standard	
Video Compression	Main stream: H.264 Sub-stream: H.264/MJPEG
H.264 Type	Baseline Profile/Main Profile
H.264+	Main stream supports
Video Bit Rate	32 Kbps to 2 Mbps
Smart Feature-set	
Region of Interest	Support 1 fixed region for main stream and sub-stream separately
Image	
Max. Resolution	1280 × 720
Main Stream Max. Frame Rate	50Hz: 25fps (1280 × 720) 60Hz: 30fps (1280 × 720)
Sub-stream Max. Frame Rate	50Hz: 25fps (640 × 480, 640 × 360, 320 × 240) 60Hz: 30fps (640 × 480, 640 × 360, 320 × 240)
Image Enhancement	BLC, 3D DNR
Image Settings	Saturation, brightness, contrast, sharpness, AGC, white balance adjustable by client software or web browser
Day/Night Switch	Day, Night, Auto, Scheduled
Network	
Alarm Trigger	Motion detection, video tampering alarm, illegal login
Protocols	TCP/IP, ICMP, HTTP, HTTPS, FTP, DHCP, DNS, DDNS, RTP, RTSP, RTCP, NTP, UPnP™, SMTP, IGMP, 802.1X, QoS, IPv6, UDP, Bonjour
General Function	Anti-flicker, heartbeat, mirror, password protection, privacy mask, watermark
Firmware Version	5.5.5

API	ONVIF (PROFILE S), ISAPI
Simultaneous Live View	Up to 6 channels
User/Host	Up to 32 users 3 levels: Administrator, Operator and User
Client	iVMS-4200, iVMS-4500, iVMS-5200, Hik-Connect
Web Browser	IE8+, Chrome 31.0-44, Firefox 30.0-51, Safari 8.0+
Interface	
Communication Interface	1 RJ45 10M/100M self-adaptive Ethernet port
General	
Operating Conditions	-30 °C to 60 °C (-22 °F to 140 °F), humidity: 95% or less (non-condensing)
Power Supply	12 VDC ± 25%, 5.5 mm coaxial power plug PoE (802.3af, class 3)
Power Consumption and Current	12 VDC, 0.5 A, max. 5 W, PoE: (802.3af, 36 V to 57 V), 0.2 A to 0.1 A, max. 6.5 W
Protection Level	IP67
Material	Camera body: metal, bottom base: plastic
Dimensions	Φ 89.9 mm × 70.1 mm (Φ 3.5" × 2.8")
Weight	200 g (0.4 lb.)

Available Models

IPC-T200 (2.8/4/6 mm)

Dimension



Accessory



DS-1272ZJ-110-TRS
Wall Mounting Bracket



DS-1275ZJ
Vertical Pole Mounting Bracket



DS-1280ZJ-XS
Inclined Base Mounting Bracket



DS-1276ZJ
Corner Mounting Bracket