

HIKVISION[®]

AE-DC5013-F6 PRO

Artificial Intelligent Dashcamera



A. Packing List

1. Lens

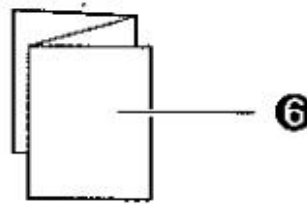
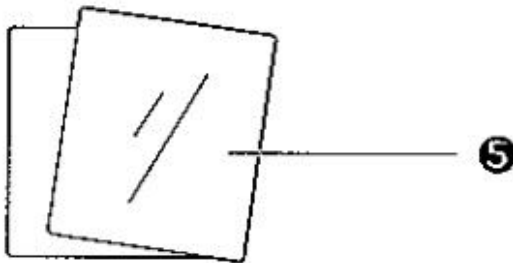
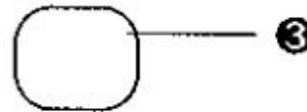
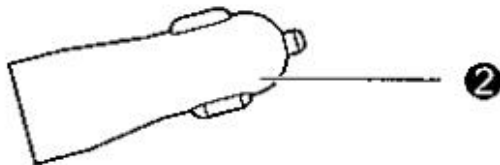
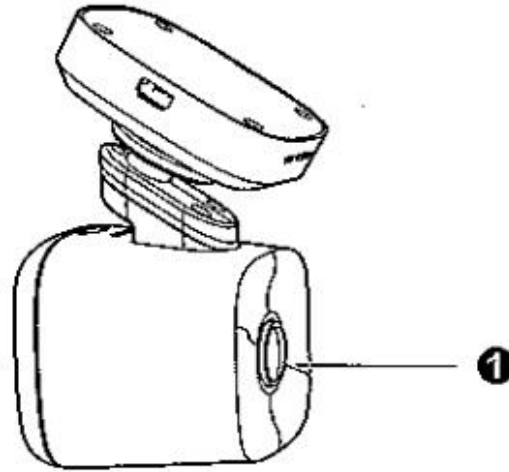
2. Power Supply

3. Adhesive Tape

4. Power Cable

5. Static Film

6. User Manual



B. Descriptions

1. Power Supply Port

2. 4G Cloud Storage Box (Not available in SA)

3. Speaker

4. SD Card Slot

5. Recording Indicator (red/blue)

Steady Blue: Recording is Normal
Solid Red: Abnormal Recording
LED flashes: APP is connected

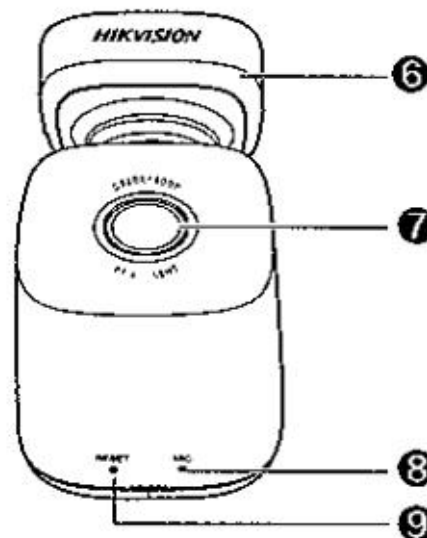
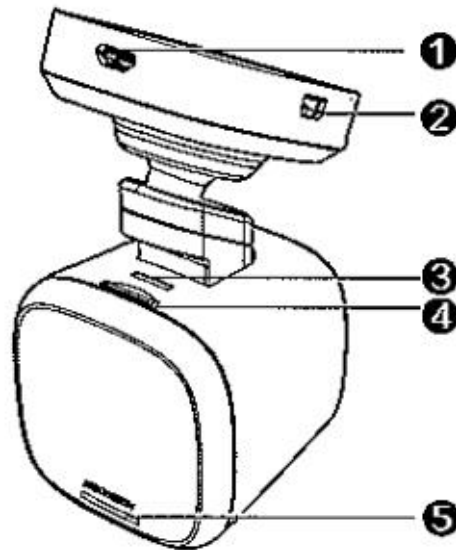
6. Bracket

7. Lens

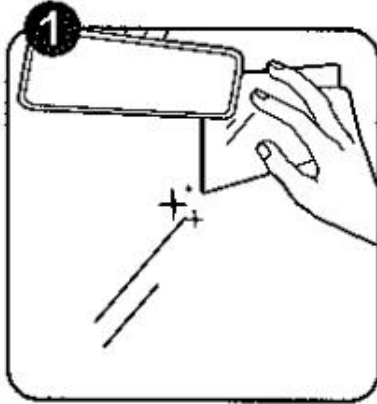
8. Microphone

9. RESET (Restart)

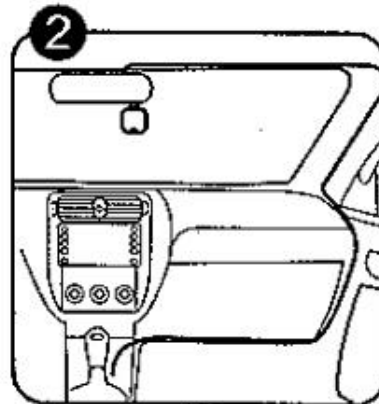
Short Press: Restart Recorder
Long Press till music sounds:
Device Factory reset



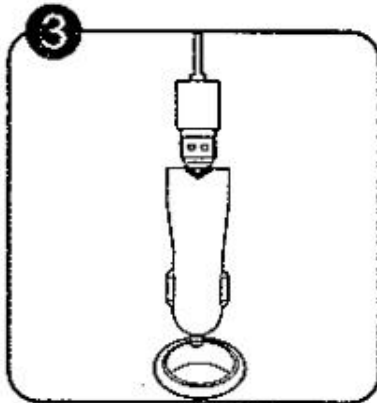
C. Installation Steps



Wipe clean the front window and make sure that there is no dust particles on the window. The film is affixed to the glass to ensure no bubbles or static electricity.



Install the recorder in the center of the corresponding electrostatic film. Connect the power cord to recorder and complete the wiring.



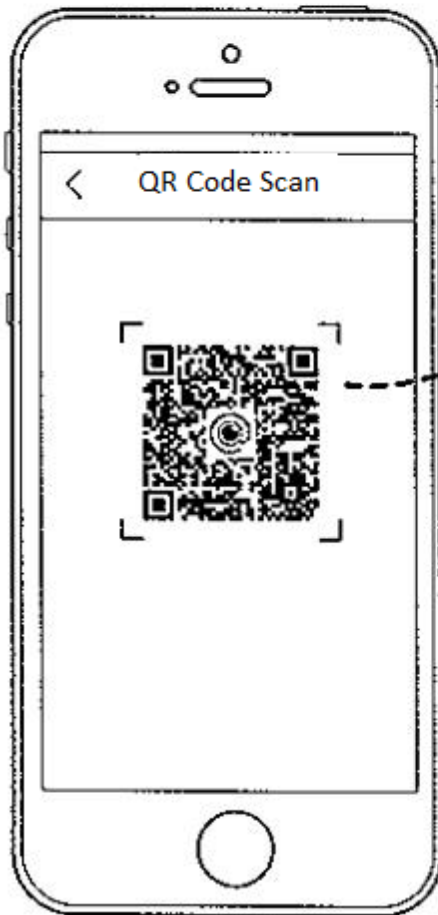
Plug the USB cable into the charger and plug the charger into the cigarette lighter socket of car.



Adjust the angle of the recorder to a suitable monitoring scene.

The Installation is complete

D. Phone Connection



- 1 Using mobile phone QR scanner, scan above code and install app
- 2 Open the Hik Dashcam app and click "WiFi Connect"
 - Select the wifi name corresponding to device in WiFi list.
 - Enter Password to connect device.

i IOS will need to connect to device WiFi first

- 3 WiFi password is 1234567890, you will be asked to change password once connected

E. Specifications

Startup and Shutdown

Once car is powered on the recorder will switch on and start recording.
When vehicle is switched off unit power will be switched off

Video

The video stored will be divided into ordinary video and emergency recording.

Basic Parameters

Model	AE-DC5013-F6
Main Lens	F16 Aperture
Camera pixels	500W
Image Resolution	1600P@30fps
Picture Perspective	130°
Screen	No
Storage	TF card, support 16GB-128GB
G-Sensor	Built in, Collision Recording
Wifi	Supported
Bluetooth	No
When Recording	Stand By
Power requirements	DC5V 2A
Constant power	3.5W
Operating temperature & Humidity	-20°C - 70°C, 95%
Installation Type	Universal
Size	52(L) x 50(W) x 97(H) mm.
Weight	135g

F. Cautions

Notes on using the Recorder

- *Please use recorder within the law of your area
- *Please keep the recorder manual properly as manual contains initial recorder connection information.
- *When purchasing a SD Card make sure that it is a class 10 SD Card.
- *Make sure power is switched off when inserting or removing SD Card.
- *Avoid exposing the product to water or excessive rain.



UD16519B-A