

TOUCHLOCK keypad - K38/K50/K75/K75 screw connector

System specifications

Cable Length	5m/16ft (Screw connector - None)	
Cable extension length and type	≤ 25m/82ft ≤ 100m/328ft	Belden 9538/ Belden 5506FE (USA) Belden 9540/ Belden 5306FE (USA)
Backlit Keypad	Yes	
Electrical		
Operating Voltage	10V - 14V DC	
Current consumption	180mA	
Environment		
Operating temperature	-35°C - +66°C -31°F - +151°F	
Moisture resistance	IPX7 (Screw connector- No)	
Vandal Resistance	Medium	



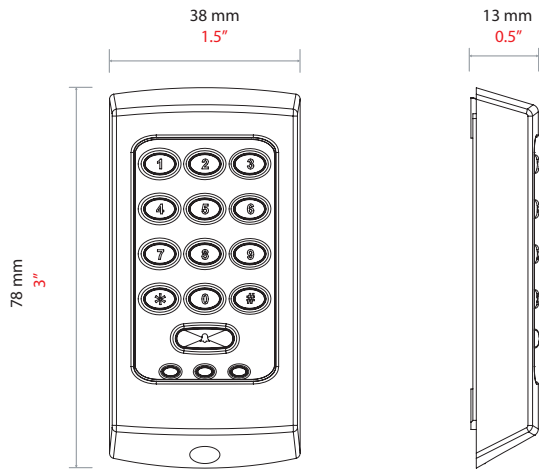
The K38/K50/K75/K75 screw connector Keypads are devices that offer the simplicity of PIN or Code authentication for system users.

They are available for use with both Switch2 and Net2 systems. The readers are supplied with a choice of black or white covers/bezels. The reader is wired as shown on the control unit label.

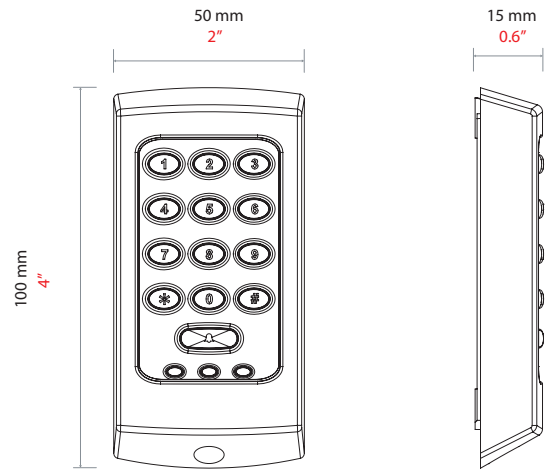
The 75 Series variant is also optionally available with a screw connector version making cabling even simpler.

By default, all 3 LEDs are lit. If access is granted, the green LED flashes and an audible tone is emitted. Incorrect PIN's will not return an access denied response.

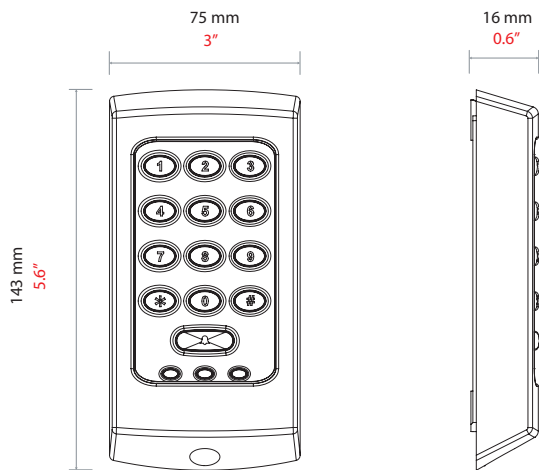
K38



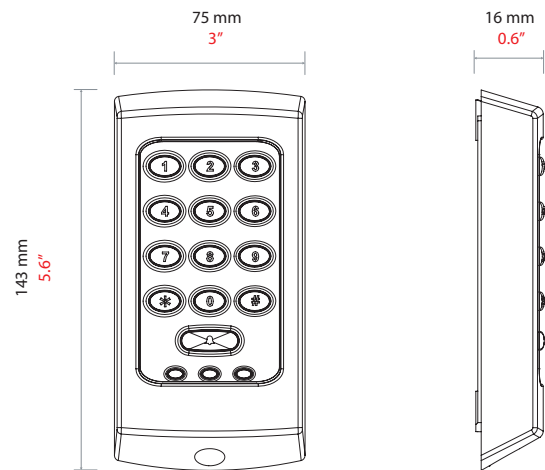
K50



K75



K75sc



Accessories and sales codes

TOUCHLOCK keypad - K38 331-110

TOUCHLOCK keypad - K75 371-110

TOUCHLOCK keypad - K50 351-110

TOUCHLOCK keypad - K75, Screw connector 371-120