

# PROXIMITY Reader - KP50/KP75/KP75 screw connector

## System specifications

Cable Length	5m/16ft (Screw connector - None)				
Cable extension length and type	<table border="0"> <tr> <td>≤ 25m/82ft</td> <td>Belden 9538/ Belden 5506FE (USA)</td> </tr> <tr> <td>≤ 100m/328ft</td> <td>Belden 9540/ Belden 5306FE (USA)</td> </tr> </table>	≤ 25m/82ft	Belden 9538/ Belden 5506FE (USA)	≤ 100m/328ft	Belden 9540/ Belden 5306FE (USA)
≤ 25m/82ft	Belden 9538/ Belden 5506FE (USA)				
≤ 100m/328ft	Belden 9540/ Belden 5306FE (USA)				
Token compatibility	Paxton, EM HID® Prox (activation required)				

Additional coloured covers available Yes

Handsfree compatible Yes

## Electrical

Operating Voltage	10V - 14V DC
Current consumption	180mA

## Environment

Operating temperature	-35°C - +66°C -31°F - +151°F
Moisture resistance	IPX7 (Screw connector- No)
Vandal Resistance	Medium



The KP50/KP75/KP75 Screw connector keypad readers are RFID/ Keypad combinations devices that offer the convenience of contactless authentication, or the added security of PIN/Prox entry, for system users.

They are available for use with both Switch2 and Net2 systems. The readers are supplied with a choice of black or white covers/bezels. The reader is wired as shown on the control unit label.

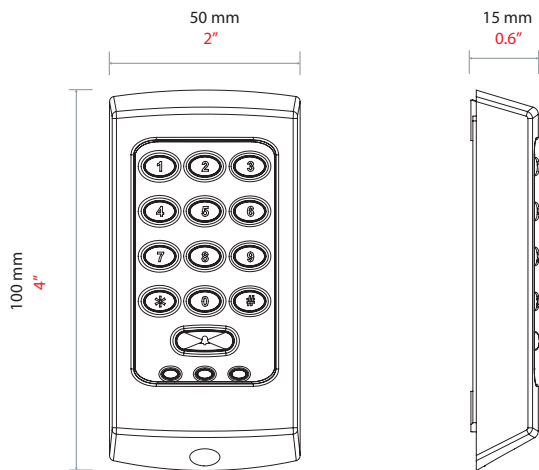
The 75 Series variant is also optionally available with a screw connector version making cabling even simpler.

Note: Be sure to avoid mounting proximity readers on metal surfaces or near other proximity readers as this will affect the read range.

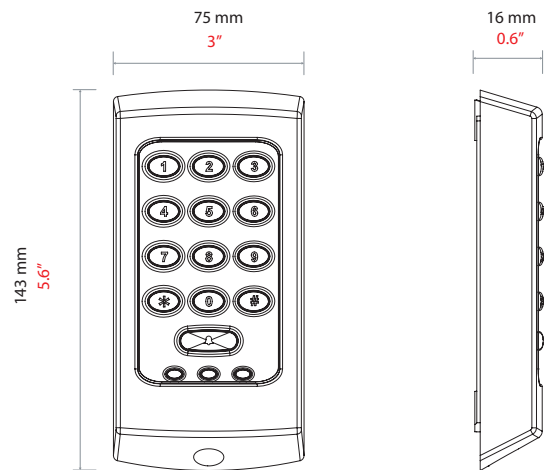
A token is read by holding it within close proximity of the reader. Once a token has been read the control unit looks up the access permissions of that user. The control unit verifies the information and grants or denies access as appropriate.

By default, all 3 LEDs are lit. If access is granted, the green LED flashes. An audible tone is emitted. When using Token + PIN, the Amber LED will flash after the token has been presented, indicating the need to enter a PIN. If an incorrect PIN is entered, access is denied and the red LED flashes. An audible tone is emitted. Using PIN ONLY, incorrect PIN's will not return an access denied response.

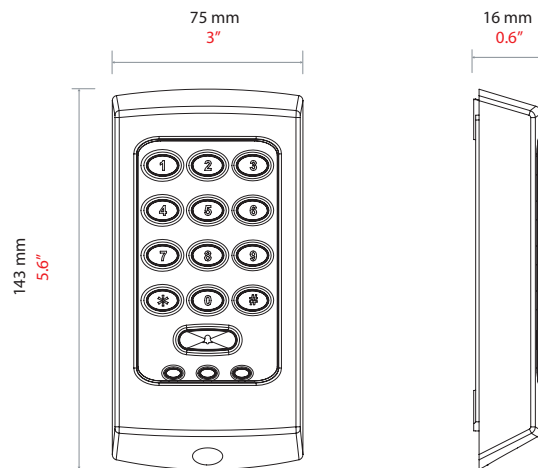
KP50



KP75



KP75sc



Accessories and sales codes

PROXIMITY Keypad - KP50	355-110	PROXIMITY Keypad - KP75	375-110
PROXIMITY Keypad - KP75, Screw connector	375-120		