

## CAT 6 FAST ETHERNET PROTECTED PATCH CORD

### Features

- All 8 lines protected
- Each pair supports 250Mbps/s
- Negligible insertion loss

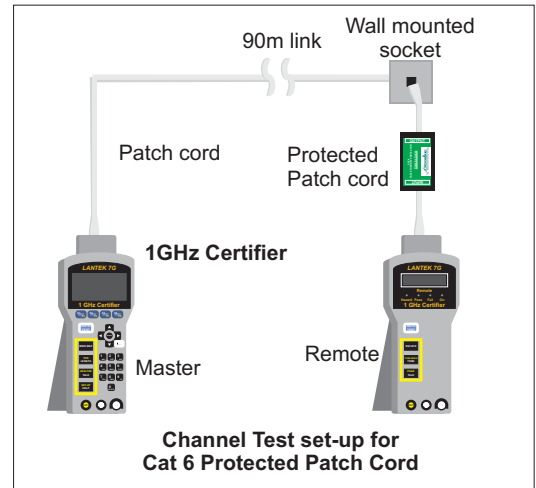
Protects fast ethernet LAN equipment such as hubs, switches and network interface cards from induced lightning and electrostatic discharge.

Complies to category 6 configurations:  
Compatible to 100Base-T and 1000Base-T

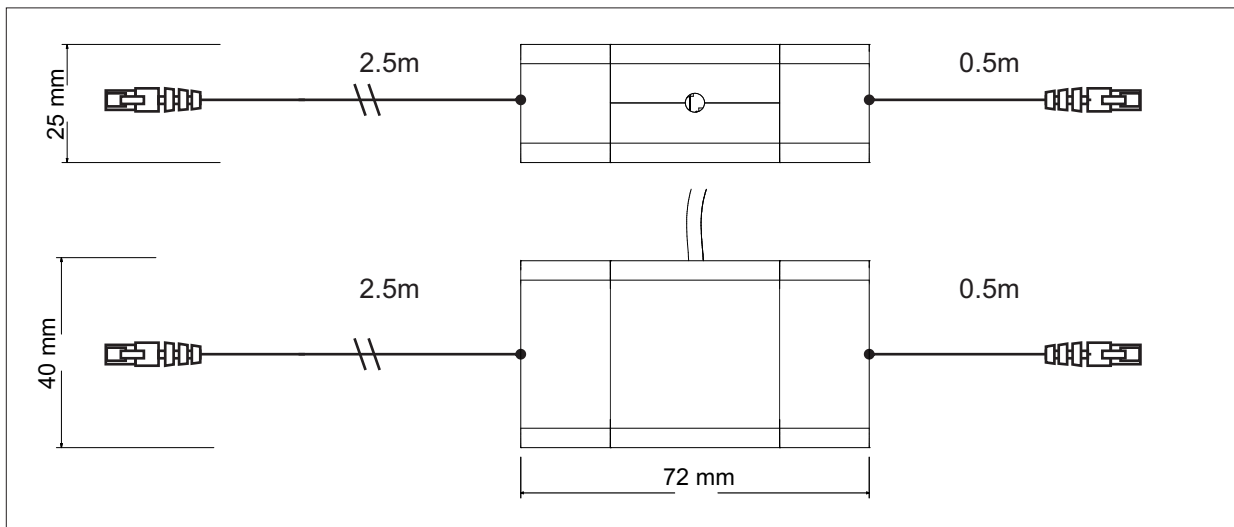
Cord connects via RJ45 sockets between wall connection point and local PC. Unit must be mounted on PC chassis for earthing. PC chassis must be earthed.



Specifications	
Clamping voltage	<10V
Maximum discharge current - coarse protection	10kA (8/20)
Maximum discharge current - fine protection	40A (8/20)
Pairs protected	1-2, 3-6, 5-4, 7-8
Standards compliance	802.3u and IEEE 802.3
Test frequencies in MHz	100      250
NEXT (Limits as per IEC 802.3)	<39.9      <33.1
Return loss (Limits as per IEC 802.3)	<10.2      < 8.0
Attenuation (Limits as per IEC 802.3)	<20.8      <33.8
Data rate	1000 Mbps/s
Frequency	250MHz



### Dimensions



### Designed and Manufactured by:

#### Clearline Protection Systems (Pty) Ltd

Roan Crescent Corporate Park North, Old Pta Road, Midrand, South Africa

P.O. Box 5985, Halfway House, 1685

Tel: +27 (0) 11 848-1100

Fax: +27 (0) 11 314-3880

E-mail: sales@clearline.co.za

www.clearline.co.za

