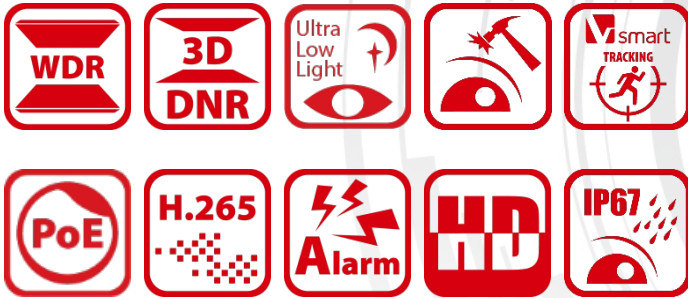


DS-2DF8225IX-AEL(W) (B) 2MP 25× Network IR Speed Dome

DarkFighter



Hikvision DS-2DF8225IX-AEL(W) 2MP 25× Network IR Speed Dome adopts 1/1.8" progressive scan CMOS chip. With the 25× optical zoom lens, the camera offers more details over expansive areas.

This series of cameras can be widely used for wide ranges of high-definition, such as the rivers, forests, roads, railways, airports, ports, squares, parks, scenic spots, stations and large venues, etc.

Key Features

- 1/1.8" progressive scan CMOS
- Up to 1920 × 1080 resolution
- Min. Illumination
Color: 0.002 Lux @(F1.5, AGC ON)
B/W: 0.0002 Lux @(F1.5, AGC ON)
0 Lux with IR
- 25× optical zoom, 16× digital zoom
- 120dB WDR, 3D DNR, HLC, Smart IR
- 24 VAC & Hi-PoE
- Up to 200 m IR distance
- Support H.265+/H.265 video compression
- Support rapid focus
- Deep-learning-based target classification algorithm for auto-tracking 2.0 and perimeter protection
- IP67, IK10



Specification

| Camera Module | |
|-----------------------|--|
| Image Sensor | 1/1.8" progressive scan CMOS |
| Min. Illumination | Color: 0.002 Lux @(F1.5, AGC ON) B/W: 0.0002 Lux @(F1.5, AGC ON) 0 Lux with IR |
| Shutter Time | 1/1 s to 1/30,000 s |
| White Balance | Auto/Manual/ATW (Auto-tracking White Balance)/Indoor/Outdoor/Fluorescent Lamp/Sodium Lamp |
| AGC | Auto/Manual |
| Day & Night | IR cut filter |
| Digital Zoom | 16× |
| Privacy Mask | 24 programmable polygon privacy masks, mask color or mosaic configurable |
| Focus Mode | Auto/Semi-automatic/Manual |
| 3D DNR | Yes |
| BLC | Yes |
| HLC | Yes |
| WDR | 120dB |
| Optical Defog | Yes |
| EIS | Yes |
| Regional Exposure | Yes |
| Regional Focus | Yes |
| Rapid Focus | Yes |
| Lens | |
| Focal Length | 5.7 mm to 142.5 mm, 25× Optical |
| Zoom Speed | Approx. 3.7 s (optical lens, wide-tele) |
| Field of View | Horizontal field of view: 59.8° to 2.8° (wide-tele) Vertical field of view: 33.6° to 1.6° (wide-tele) Diagonal field of view: 68.6° to 3.2° (wide-tele) |
| Working Distance | 10 mm to 1500 mm (wide-tele) |
| Aperture Range | F1.5 to F3.4 |
| PTZ | |
| Movement Range (Pan) | 360° endless |
| Pan Speed | Configurable, from 0.1°/s to 210°/s, Preset Speed: 280°/s |
| Movement Range (Tilt) | From -20° to 90° |
| Tilt Speed | Configurable, from 0.1°/s to 150°/s, Preset Speed: 250°/s |
| Proportional Zoom | Yes |
| Presets | 300 |
| Patrol Scan | 8 patrols, up to 32 presets for each patrol |
| Pattern Scan | 4 pattern scans, record time over 10 minutes for each scan |
| Power-off Memory: | Yes |
| Park Action | Preset/Pattern Scan/Patrol Scan/Auto Scan/Tilt Scan/Random Scan/Frame Scan/Panorama Scan |
| PTZ Status Display | Yes |
| Preset Freezing | Yes |
| Scheduled Task | Preset/Pattern Scan/Patrol Scan/Auto Scan/Tilt Scan/Random Scan/Frame Scan/Panorama Scan/Dome Reboot/Dome Adjust/Aux Output |
| Smart Features | |
| Perimeter Protection | Intrusion, Line Crossing, Region Entrance, Region Exiting Support alarm triggering by specified target types (human and vehicle) Filtering out mistaken alarm caused by target types such as leaf, light, animal, and flag, etc. |
| Event Detection | Unattended Baggage Detection, Object Removal Detection, Face Detection, Audio Exception Detection |
| Smart Tracking | Manual Tracking, Auto Tracking (support tracking specified target types such as human and vehicle), Event Tracking |

| | |
|-------------------------------|---|
| Smart Record | ANR (Automatic Network Replenishment), Dual-VCA |
| ROI | Eight fixed region for each stream |
| IR | |
| IR Distance | 200 m |
| Smart IR | Yes |
| Network | |
| Max. Resolution | 1920 × 1080 |
| Main Stream | 50Hz: 25fps (1920 × 1080, 1280 × 960, 1280 × 720) 50fps (1920 × 1080, 1280 × 960, 1280 × 720) 60Hz: 30fps (1920 × 1080, 1280 × 960, 1280 × 720) 60fps (1920 × 1080, 1280 × 960, 1280 × 720) |
| Sub-Stream | 50Hz: 25fps (704 × 576, 640 × 480, 352 × 288) 60Hz: 30fps (704 × 480, 640 × 480, 352 × 240) |
| Third Stream | 50Hz: 25fps (1920 × 1080, 1280 × 960, 1280 × 720, 704 × 576, 640 × 480, 352 × 288) 60Hz: 30fps (1920 × 1080, 1280 × 960, 1280 × 720, 704 × 480, 640 × 480, 352 × 240) |
| SVC | Yes |
| Video Compression | Main Stream: H.265+/H.265/H.264+/H.264 Sub-Stream: H.265/H.264/MJPEG Third Stream: H.265/H.264/MJPEG H.264 with Baseline/Main/High Profile |
| Audio compression | G.711alaw/G.711ulaw/G.722.1/G.726/MP2L2/PCM |
| Protocols | IPv4/IPv6, HTTP, HTTPS, 802.1x, Qos, FTP, SMTP, UPnP, SNMP, DNS, DDNS, NTP, RTSP, RTP, TCP/IP, DHCP, PPPoE, UDP, IGMP, ICMP, Bonjour |
| Simultaneous Live View | Up to 20 channels |
| User/Host | Up to 32 users 3 levels: Administrator, Operator and User |
| Security Measures | User authentication (ID and PW), Host authentication (MAC address); HTTPS encryption; IEEE 802.1x port-based network access control; IP address filtering |
| System Integration | |
| Alarm Interface | 7-ch alarm input/2-ch alarm output |
| Audio Interface | 1-ch audio input, 2 to 2.4 V[p-p], 1 KΩ ± 10% 1-ch audio output, line level, impedance: 600 Ω |
| Alarm Linkage | Alarm actions, such as Preset, Patrol Scan, Pattern Scan, Memory Card Video Record, Trigger Recording, Notify Surveillance Center, Upload to FTP/Memory Card/NAS, Send Email, etc. |
| Network Interface | 1 RJ45 10 M/100 M Ethernet Interface; Hi-PoE |
| CVBS | Yes |
| RS-485 | HIKVISION, Pelco-P, Pelco-D, self-adaptive |
| Storage | Built-in memory card slot, support Micro SD/SDHC/SDXC, up to 256 GB; NAS (NFS, SMB/CIFS), ANR |
| API | ONVIF (Profile S, Profile G, Profile T), ISAPI, SDK |
| Client | iVMS-4200, iVMS-4500, iVMS-5200, Hik-Connect |
| Web Browser | IE 8 to 11, Chrome 31.0+, Firefox 30.0+, Edge 16.16299+, Safari 11+ |
| General | |
| Language (Web Browser Access) | 32 languages. English, Russian, Estonian, Bulgarian, Hungarian, Greek, German, Italian, Czech, Slovak, French, Polish, Dutch, Portuguese, Spanish, Romanian, Danish, Swedish, Norwegian, Finnish, Croatian, Slovenian, Serbian, Turkish, Korean, Traditional Chinese, Thai, Vietnamese, Japanese, Latvian, Lithuanian, Portuguese (Brazil) |
| Power | 24 VAC (Max. 60 W, including max. 18 W for IR and max. 6 W for heater) Hi-PoE (Max. 50 W, including max. 18 W for IR and max. 6 W for heater) |
| Working Temperature | Outdoor: -40°C to 70°C (-40°F to 158°F) |
| Working Humidity | ≤ 95% |
| Protection Level | IP67 Standard, IK10 (only supported by camera without wiper), 6,000V Lightning Protection, Surge Protection and Voltage Transient Protection |
| Dimensions | Φ 266.6 mm × 410 mm (Φ10.50" × 16.14") |

| | |
|--------|-------------------------|
| Weight | Approx. 8 kg (17.64 lb) |
|--------|-------------------------|

DORI

The DORI (detect, observe, recognize, identify) distance gives the general idea of the camera ability to distinguish persons or objects within its field of view.

It is calculated based on the camera sensor specification and the criteria given by EN 62676-4: 2015.

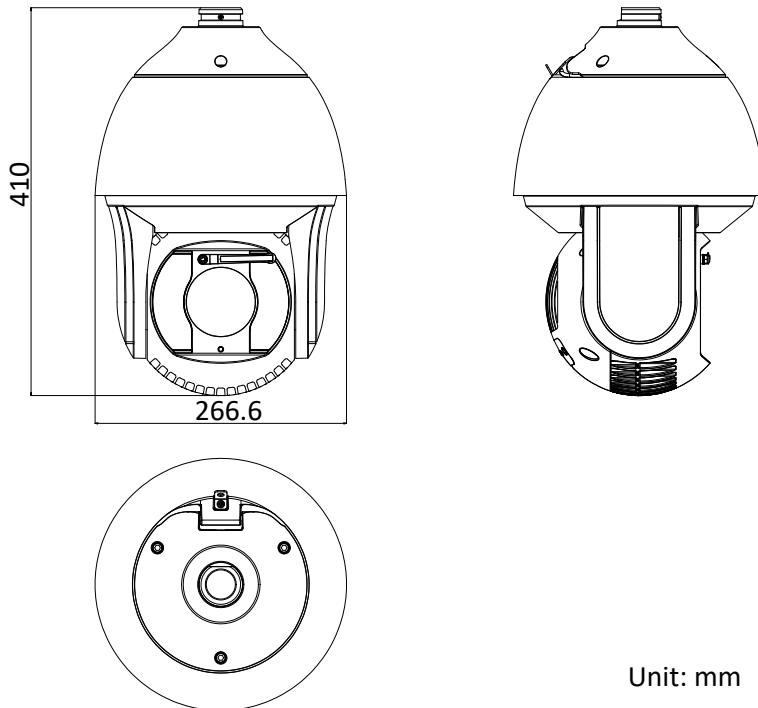
| DORI | Detect | Observe | Recognize | Identify |
|-----------------|----------------------|---------------------|--------------------|--------------------|
| Definition | 25 px/m | 63 px/m | 125 px/m | 250 px/m |
| Distance (Tele) | 1493.3 m (4899.4 ft) | 592.6 m (1944.2 ft) | 298.7 m (979.9 ft) | 149.3 m (489.9 ft) |

Order Model

DS-2DF8225IX-AEL (B), without wiper, 24 VAC & Hi-PoE

DS-2DF8225IX-AELW (B), with wiper, 24 VAC & Hi-PoE

Dimensions



Unit: mm

Accessory

Included:

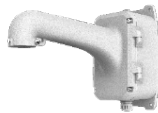


Installation Adapter

Optional:



DS-1604ZJ
Wall Mount



DS-1604ZJ-box
Wall Mount with Junction
Box



DS-1604ZJ-box-pole
Vertical Pole Mount with
Junction Box



DS-1604ZJ-box-corner
Corner Mount with
Junction Box



DS-1660ZJ
Parapet Mount



DS-1619ZJ
Gooseneck Mount



DS-1661ZJ
Pendant Mount



DS-1662ZJ
Pendant Mount



DS-1663ZJ
Ceiling Mount



DS-1667ZJ
Extendable Pole for
Pendant Mount



DS-1673ZJ
Horizontal Pole Mount



DS-1682ZJ
Extendable Pole for
Pendant Mount

Distributed by



LAS60-57CN-RJ45
Hi-PoE Midspan



TEAC-66-243000V (EU)
MKAC-66-243000U (USA)
TEAC-66-243000VB (UK)
Power Adapter

HIKVISION®

Headquarters

No.555 Qianmo Road, Binjiang District,
Hangzhou 310051, China
T +86-571-8807-5998
overseasbusiness@hikvision.com

Hikvision USA
T +1-909-895-0400
sales.usa@hikvision.com

Hikvision Australia
T +61-2-8599-4233
salesau@hikvision.com

Hikvision India
T +91-22-28469900
sales@pramahikvision.com

Hikvision Canada
T +1-866-200-6690
sales.canada@hikvision.com

Hikvision Thailand
T +662-275-9949
sales.thailand@hikvision.com

Hikvision Europe
T +31-23-5542770
sales.eu@hikvision.com

Hikvision Italy
T +39-0438-6902
info.it@hikvision.com

Hikvision Brazil
T +55 11 3318-0050
Latam.support@hikvision.com

Hikvision Turkey
T +90 (216)521 7070- 7074
sales.tr@hikvision.com

Hikvision Malaysia
T +601-7652-2413
sales.my@hikvision.com

Hikvision UK & Ireland
T +01628-902140
sales.uk@hikvision.com

Hikvision South Africa
Tel: +27 (10) 0351172
sale.africa@hikvision.com

Hikvision France
T +33(0)1-85-330-450
info.fr@hikvision.com

Hikvision Kazakhstan
T +7-727-9730667
nikia.panfilov@hikvision.ru

Hikvision Vietnam
T +84-974270888
sales.vt@hikvision.com

Hikvision UAE
T +971-4-4432090
salesme@hikvision.com

Hikvision Singapore
T +65-6684-4718
sg@hikvision.com

Hikvision Spain
T +34-91-737-16-55
info.es@hikvision.com

Hikvision Tashkent
T +99-87-1238-9438
uzb@hikvision.ru

Hikvision Hong Kong
T +852-2151-1761
info.hk@hikvision.com

Hikvision Russia
T +7-495-669-67-99
saleru@hikvision.com

Hikvision Korea
T +82-[0]31-731-8817
sales.korea@hikvision.com

Hikvision Poland
T +48-22-460-01-50
info.pl@hikvision.com

Hikvision Indonesia
T +62-21-2933759
Sales.Indonesia@hikvision.com

Hikvision Colombia
sales.colombia@hikvision.com