

## DS-2XM6756FWD-I(S)(M) 5 MP IR Mobile Dome Network Camera



### smart IPC

- 1/2.9" Progressive Scan CMOS
- 3072 × 2048 @ 20fps
- 2.0/2.8/4/6/8 mm fixed lens
- Three streams
- 120dB WDR
- 3D DNR
- 4 behavior analyses and face detection
- Audio and alarm I/O (-S)
- Smart encoding: low bit rate, low latency
- ROI
- IP67, IK10
- H.265, H.265+



## Specifications

<b>Camera</b>			
Image Sensor	1/2.9" Progressive Scan CMOS		
Min. Illumination	Color: 0.01 Lux @ (F1.2, AGC ON), 0.018 Lux @ (F1.6, AGC ON), 0 Lux with IR		
Shutter Speed	1/3 s to 1/100,000 s		
Slow Shutter	Yes		
Auto-Iris	No		
Day & Night	IR Cut Filter		
Digital Noise Reduction	3D DNR		
WDR	120 dB		
Angle Adjustment	Pan: -30° to +30°, Tilt: 0° to 75°, Rotate: 0° to 360°		
<b>Lens</b>			
Focal length	2.0/2.8/4/6/8 mm fixed lens		
Aperture	F1.6		
FOV	2.0 mm @ F1.6, horizontal FOV 119.5°, vertical FOV 69.8°, diagonal FOV 136° 2.8 mm @ F1.6, horizontal FOV 97.6°, vertical FOV 53.5°, diagonal FOV 113.6° 4 mm @ F1.6, horizontal FOV 73°, vertical FOV 40.3°, diagonal FOV 85.3° 6 mm @ F1.6, horizontal FOV 50.2°, vertical FOV 28°, diagonal FOV 57.7° 8 mm @ F1.6, horizontal FOV 36°, vertical FOV 20°, diagonal FOV 41.6°		
Lens Mount	M12		
<b>IR</b>			
IR Range	up to 30 m		
Wavelength	850 nm		
<b>Compression Standard</b>			
Video Compression	Main stream: H.265/H.264 Sub-stream: H.265/H.264/MJPEG Third stream: H.265/H.264		
H.264 Type	Main Profile/High Profile		
H.264+	Main stream support.		
H.265 Type	Main Profile		
H.265+	Main stream support.		
Video Bit Rate	32 Kbps to 16 Mbps		
Audio Compression	G.711/G.722.1/G.726/MP2L2/PCM		
Audio Bit Rate	64Kbps(G.711)/16Kbps(G.722.1)/16Kbps(G.726)/32-192Kbps(MP2L2)		
<b>Smart Feature-set</b>			
Behavior Analysis	Line crossing detection, intrusion detection, unattended baggage detection, object removal detection		
Exception Detection	No		
Face Detection	Yes		
Region of Interest	1 fixed region for main stream and sub stream		
<b>Image</b>			
Max. Resolution	3072 × 2048		
Main Stream	<table border="0" style="width: 100%;"> <tr> <td style="width: 150px;">H.265/H.264</td> <td>50Hz: 20fps (3072 × 2048, 3072 × 1728, 2944 × 1656) 25fps (2560 × 1440, 1920 × 1080, 1280 × 720) 60Hz: 20fps (3072 × 2048, 3072 × 1728, 2944 × 1656) 30fps (2560 × 1440, 1920 × 1080, 1280 × 720)</td> </tr> </table>	H.265/H.264	50Hz: 20fps (3072 × 2048, 3072 × 1728, 2944 × 1656) 25fps (2560 × 1440, 1920 × 1080, 1280 × 720) 60Hz: 20fps (3072 × 2048, 3072 × 1728, 2944 × 1656) 30fps (2560 × 1440, 1920 × 1080, 1280 × 720)
H.265/H.264	50Hz: 20fps (3072 × 2048, 3072 × 1728, 2944 × 1656) 25fps (2560 × 1440, 1920 × 1080, 1280 × 720) 60Hz: 20fps (3072 × 2048, 3072 × 1728, 2944 × 1656) 30fps (2560 × 1440, 1920 × 1080, 1280 × 720)		

Sub Stream	H.265/H.264/MJPEG	50Hz: 25fps (640 × 480, 640 × 360, 320 × 240) 60Hz: 30fps (640 × 480, 640 × 360, 320 × 240)
Third Stream	H.265/H.264	50Hz: 25fps (1280 × 720, 640 × 360, 352 × 288) 60Hz: 30fps (1280 × 720, 640 × 360, 352 × 240)
Image Enhancement	BLC, 3D DNR	
Image Setting	Rotate mode, saturation, brightness, contrast, sharpness adjustable by client software or web browser	
Target Cropping	No	
SVC	H.264 and H.265 encoding	
Day/Night Switch	Day/Night/Auto/Schedule/Triggered by Alarm In (-S)	
Picture Overlay	No	
<b>Network</b>		
Network Storage	Micro SD/SDHC/SDXC card (128G), local storage and NAS (NFS,SMB/CIFS), ANR	
Alarm Trigger	Motion detection, video tampering alarm, network disconnected, IP address conflict, illegal login, HDD full, HDD error	
Protocols	TCP/IP, ICMP, HTTP, HTTPS, FTP, DHCP, DNS, DDNS, RTP, RTSP, RTCP, PPPoE, NTP, UPnP, SMTP, SNMP, IGMP, 802.1X, QoS, IPv6, UDP, Bonjour	
General Function	One-key reset, anti-flicker, three streams, heartbeat, password protection, privacy mask, watermark, IP address filter	
Firmware Version	V5.5.4	
API	ONVIF (PROFILE S, PROFILE G), ISAPI	
Simultaneous Live View	Up to 6 channels	
User/Host	Up to 32 users 3 levels: Administrator, Operator and User	
Client	iVMS-4200, iVMS-4500, iVMS-5200, Hik-Connect	
Web Browser	IE8+, Chrome31.0-44, Firefox30.0-51, Safari8.0+	
<b>Interface</b>		
Audio (-S)	1 input (line in), 1 built-in mic, 1 output (line out), mono	
Alarm (-S)	1 input, 1 output (up to 12VDC, 30mA)	
Communication Interface	1 RJ45 10M/100M Ethernet port	
On-board storage	Built-in micro SD/SDHC/SDXC slot, up to 128 GB	
Reset Button	Yes	
<b>Audio (-S)</b>		
Environment Noise Filtering	Yes	
Audio Sampling Rate	8kHz/16kHz/32kHz/44.1kHz/48kHz	
<b>General</b>		
Operating Conditions	-30 °C to 60 °C (-22 °F to 140 °F), humidity less than 95% or less (non-condensing)	
Power Supply	-I, -IS: 12 VDC ± 25%, Coaxial power plug ( Ø 5.5 mm) for DC input, -IM: 12 VDC ± 25%, Molex plug for DC input	
Power Consumption and Current	12 V DC ± 25%, 0.5 A, max. 6 W PoE: (802.3af,36V-57V), 0.2A to 0.13A, Max:7.5W	
Protection Level	IP67, IK10	
Material	Metal	
Dimensions	Camera: Φ 110 mm × 57.4 mm (4.3" × 2.3"), with base: Φ 110 mm × 69.4 mm (4.3" × 2.7") With package: 252 mm × 160 mm × 95 mm (9.9" × 6.3" × 3.7")	
Weight	Camera: Approx. 580 g (1.3 lb.) With package: 860 g (1.9 lb)	

## Available Model

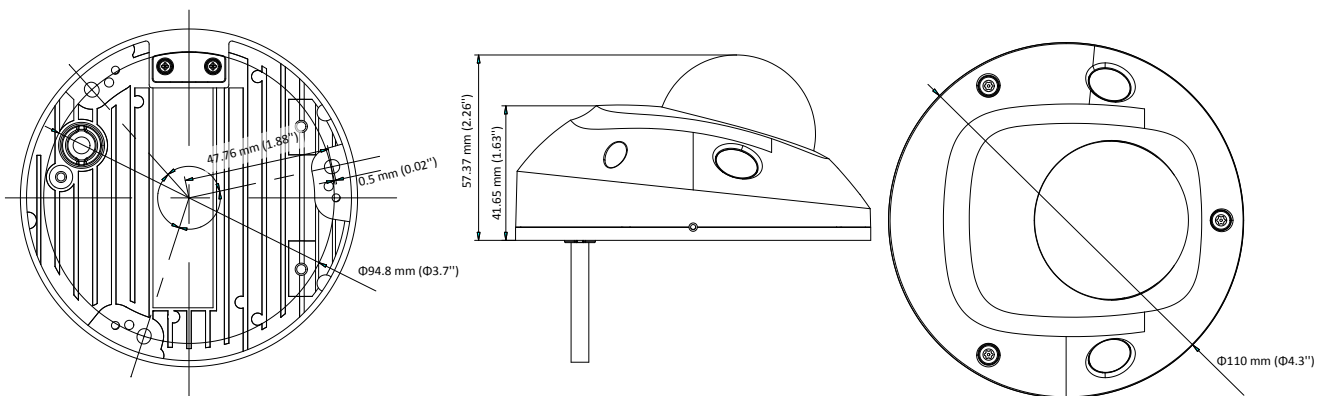
DS-2XM6756FWD-I  
 DS-2XM6756FWD-IS  
 DS-2XM6756FWD-IM

*-I: with Coaxial power plug (  $\varnothing$  5.5 mm) for DC input, 1 RJ45 10M/100M Ethernet port*

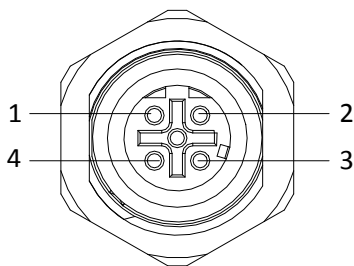
*-IS: with Coaxial power plug (  $\varnothing$  5.5 mm) for DC input, 1 RJ45 10M/100M Ethernet port, 1 audio input (line in), 1 audio output, 1 alarm input and 1 alarm output,*

*-IM: with 1 M12 aviation plug, 1 Molex plug for DC input*

## Dimension

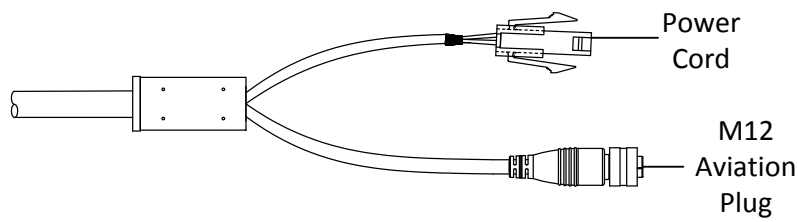


## Interface Description

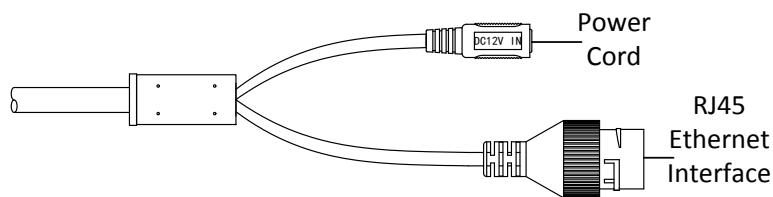


	M12 Wire	R-J45 Wire
<b>TX+</b>	1	1
<b>TX-</b>	3	2
<b>RX+</b>	2	3
<b>RX-</b>	4	6

M12 Interface Description



DS-2XM6726FWD-IM Cable Interface Description



DS-2XM6726FWD-I Cable Interface Description

Distributed by



**HIKVISION**

**Headquarters**

No.555 Qianmo Road, Binjiang District,  
Hangzhou 310051, China  
T +86-571-8807-5998  
overseasbusiness@hikvision.com

**Hikvision USA**  
T +1-909-895-0400  
sales.usa@hikvision.com

**Hikvision Europe**  
T +31-23-55-42-770  
info.eu@hikvision.com

**Hikvision Middle East**  
T +971-4-8816086  
salesme@hikvision.com

**Hikvision Russia**  
T +7-495-669-67-99  
saleru@hikvision.com

**Hikvision India**  
T +91-22-28469900  
sales@pramahikvision.com

**Hikvision Italy**  
T +39-0438-6902  
info.it@hikvision.com

**Hikvision France**  
T +33(0)1-85-330-450  
info.fr@hikvision.com

**Hikvision Spain**  
T +34-91-737-16-55  
info.es@hikvision.com

**Hikvision Poland**  
T +48-22-460-01-50  
poland@hikvision.com

**Hikvision UK**  
T +01628-902140  
support.uk@hikvision.com

**Hikvision Singapore**  
T +65-6684-4718  
sg@hikvision.com

**Hikvision Oceania**  
T +61-2-8599-4233  
salesau@hikvision.com

**Hikvision Canada**  
T +1-909-895-0400  
sales.usa@hikvision.com

**Hikvision Korea**  
T +82-31-731-8841  
sales.korea@hikvision.com

**Hikvision Brazil**  
T +55 11 3318-0050  
Latam.support@hikvision.com

**Hikvision Africa**  
T +27 (10) 0351172  
sale.africa@hikvision.com

**Hikvision Hong Kong**  
T +852-2151-1761