

15-Slot Media Converter Chassis with Redundant Power Supply System



High Density Chassis for Multiple Converter Installation

The MC-1500R provides 15 slots for a wide range of PLANET media converter series. It allows the connectivity of up to 15 PLANET Ethernet, Fast Ethernet, Gigabit Ethernet or VDSL2 Converters in one chassis. The 15 slots in the 19" rack saves more spaces for fiber-optic wiring, simplifies the structure and eases the maintenance of media conversion.

Extremely Reliable Design to ensure continuous operation

The MC-1500R series supports the optional hot-swappable Redundant Power System (RPS) to ensure continuous operation. Both the MC-1500R and MC-1500R48 are equipped with one 100~240V AC power supply unit and one -48V DC power supply unit, which come in the package, respectively. To enhance the reliability, they each have one spare power supply slot for that optional purpose. The continuous power systems are specifically designed to meet the demands for high tech facilities requiring the highest power integrity available.



Plug and Play / Flexible Installation

The MC-1500R offers flexibility in installation and cost-effective scalable solution. With an independent power supply on each slot of the MC-1500R, any converter is hot-swappable without causing an interruption to other converters. The media converters and power modules can be plugged and played anytime. Each bay of the media converter chassis can be populated with any of PLANET's media converter series, the FT, GT, VC-20x and ICS to provide media conversion between fiber optic, phone wire and serial to copper lines.

Hardware

- High quality 19" Rack-mountable chassis installation
- Supplies the converters modules to be plugged and played
- Supports up to fifteen hot-swappable media converters
- Two fans built-in for hardware cooling
- Reduces the effort of converter maintenance and management, diagnose the status at one time

Power System

- Bay power isolation to ensure each bay is electrically isolated from each other
- Power protection: protection from over voltage, over current and short circuit

Compatibility

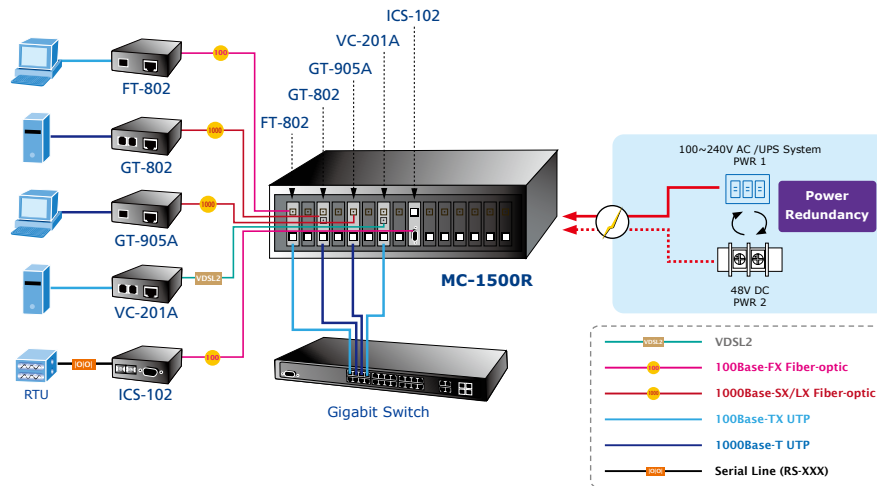
- Supports PLANET Fast Ethernet, Gigabit Ethernet Media Converter series: FT-80x / FT-90x and GT-70x / GT-80x
- Supports VDSL2 Media Converter: VC-201A / VC-231
- Supports Serial over Ethernet Converter: ICS-10x series

Applications

Centralized Media Converter Management

To meet the growing demand for the current FTtx network and Ethernet, PLANET MC-1500R provides advanced Media conversion technology to fill this kind of demand. The media converter chassis allows to install up to 15 FT-8 / GT-7 / GT-8 Fast /Gigabit Ethernet Media converter with diverse fiber connecting type options to meet different network applications. It is very flexible for FT-8 / GT-8 series to be installed in the Media converter chassis for centralized power feeding and installation.

PLANET Media Converter chassis with FT / GT Fast /Gigabit Ethernet Media converter series is an ideal solution to building a network solution of FTTC (Fiber to the Curb) and FTTB (Fiber to the Building) for ISPs, campuses and enterprises.



Specifications

Model	MC-1500R
Hardware Specifications	
Dimensions (W x D x H)	438 x 200 x 103 mm, 2.4U high
Slot	15 open slots (Slot Dimensions (W x D x H) 27 x 95 x 71 mm,)
LED	Power 1, Power2, Fan1, Fan2
Fan	2 x fan
Weight	4.3kg
Power Requirements	100~240V AC, 3.3A, 50-60Hz
Power Output	Each slot 5V DC 1A
Power Consumption	10 watts / 34.1BTU (System only) 80 watts / 272BTU (Full loading)
Operating Environment	0~50 degrees C, 5%~90%RH
Storage Environment	-20~70 degree C, 5%~90%RH
Emission	FCC Class A, CE mark

Ordering Information

MC-1500R	15-Slot Media Converter Chassis(AC power)
----------	---

Related Products

FT-80x Series	10/100Base-TX to 100Base-FX Bridge Media Converters
FT-90x Series	10/100Base-TX to 100Base-FX Web Smart Media Converter
GT-70x Series	1000Base-T to 1000Base-SX/LX Gigabit Media Converter
GT-90x Series	Managed Gigabit Ethernet Media Converter
ICS-100	RS-232 / RS-422 / RS-485 over Fast Ethernet Media Converter
ICS-102 / ICS-102S15 / ICS-105A	RS-232 / RS-422 / RS-485 over Fast Ethernet Media Converter
VC-201A	Ethernet over VDSL2 Converter (1xRJ45, 1xVDSL2/RJ11, 1xPhone-17a)
VC-202A	Ethernet over VDSL2 Converter (1xRJ45, 1xVDSL2/BNC,17a)
VC-231	Ethernet over VDSL2 Converter (1xRJ45, 1xVDSL2/RJ11, 17a/30a)

PLANET Technology Corporation

11F., No.96, Minquan Rd., Xindian Dist., New Taipei City
231, Taiwan (R.O.C.)
Tel: 886-2-2219-9518 Fax: 886-2-2219-9528
Email: sales@planet.com.tw www.planet.com.tw



PLANET reserves the right to change specifications without prior notice. All brand names and trademarks are property of their respective owners. Copyright © 2014 PLANET Technology Corp. All rights reserved.

C-MC-1500R