

U1-33H 12Volt 33Ah

Specifications

Nominal Voltage(V) **12V**

Nominal Capacity

20 hour rate	(1.65A to 10.50V)	33Ah
10 hour rate	(3.135A to 10.50V)	31.35Ah
5 hour rate	(5.61A to 10.20V)	28.05Ah
1 C	(33A to 9.60V)	18.7Ah
3 C	(99A to 9.60V)	13.2Ah

Weight **Approx. 9.9kg(21.78Lbs.)**

Internal Resistance (at 1KHz) **Approx. 10 mΩ**

Maximum Discharge Current for

5 seconds: **602A**

Charging Methods at 25°C (77°F)

Cycle use:

Charging Voltage **14.4 to 15.0V**

Coefficient **-5.0mV/°C/cell**

Maximum Charging Current : **9.9A**

Standby use:

Float Charging Voltage **13.50 to 13.80V**

Coefficient **-3.0mV/°C/cell**

Operating Temperature Range

Charge **-15°C (5°F) to 40°C (104°F)**

Discharge **-15°C (5°F) to 50°C (122°F)**

Storage **-15°C (5°F) to 40°C (104°F)**

Charge Retention (shelf life) at 20°C (68°F)

1 month **98%**

3 month **94%**

6 month **85%**

Case Material **ABS**

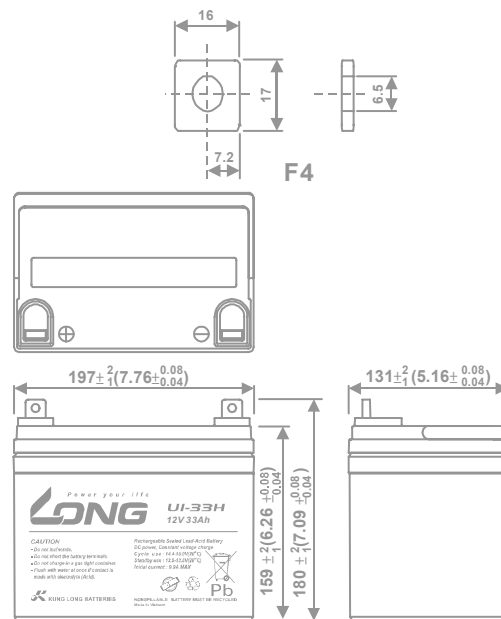
(Option: UL94 HB & UL94 V-0 flame retardant)

Terminal **F4**

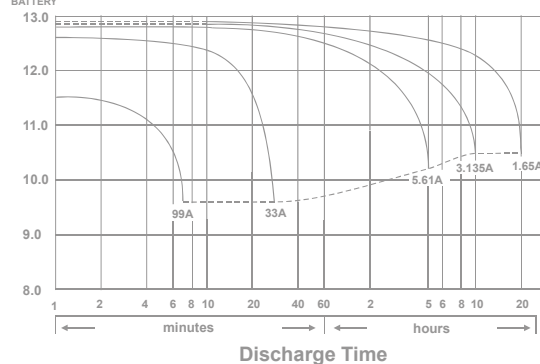


Dimensions

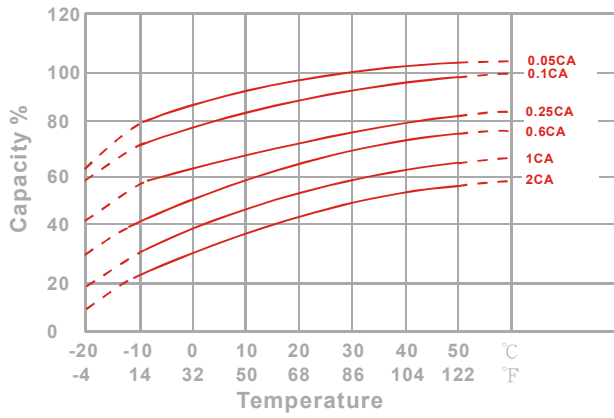
mm(inch)



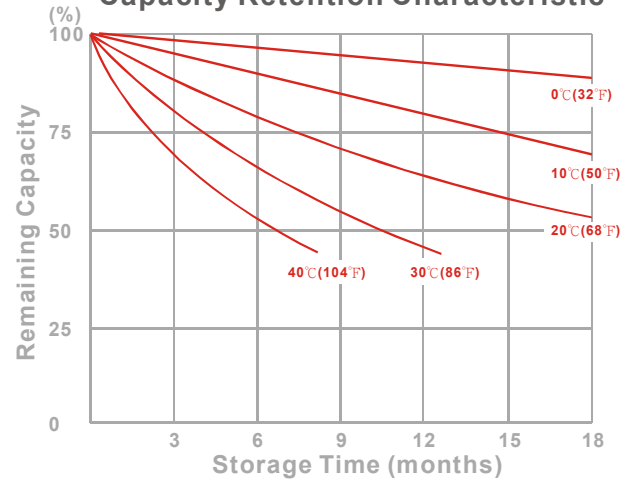
(V) FOR 12V BATTERY Discharge Time VS. Discharge Current (25°C)



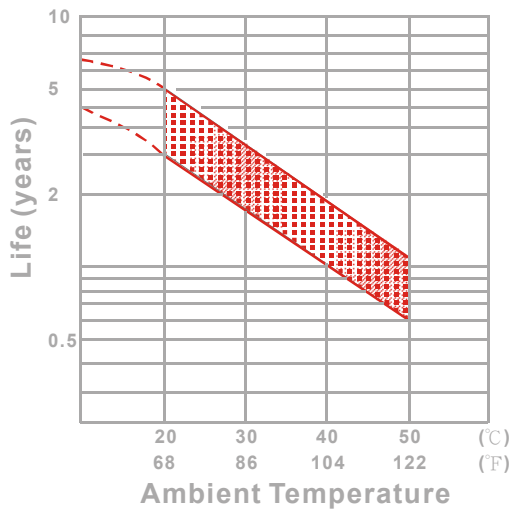
Effect of Temperature on Capacity 25°C(77°F)



Capacity Retention Characteristic



Trickle (or float) Service Life



Cycle Service Life

