

# DH-PFA138

## Water-proof Junction Box



### Features

- Material: aluminum
- Water-proof junction box
- Aesthetic design
- Safety rope hook attached, secure and reliable

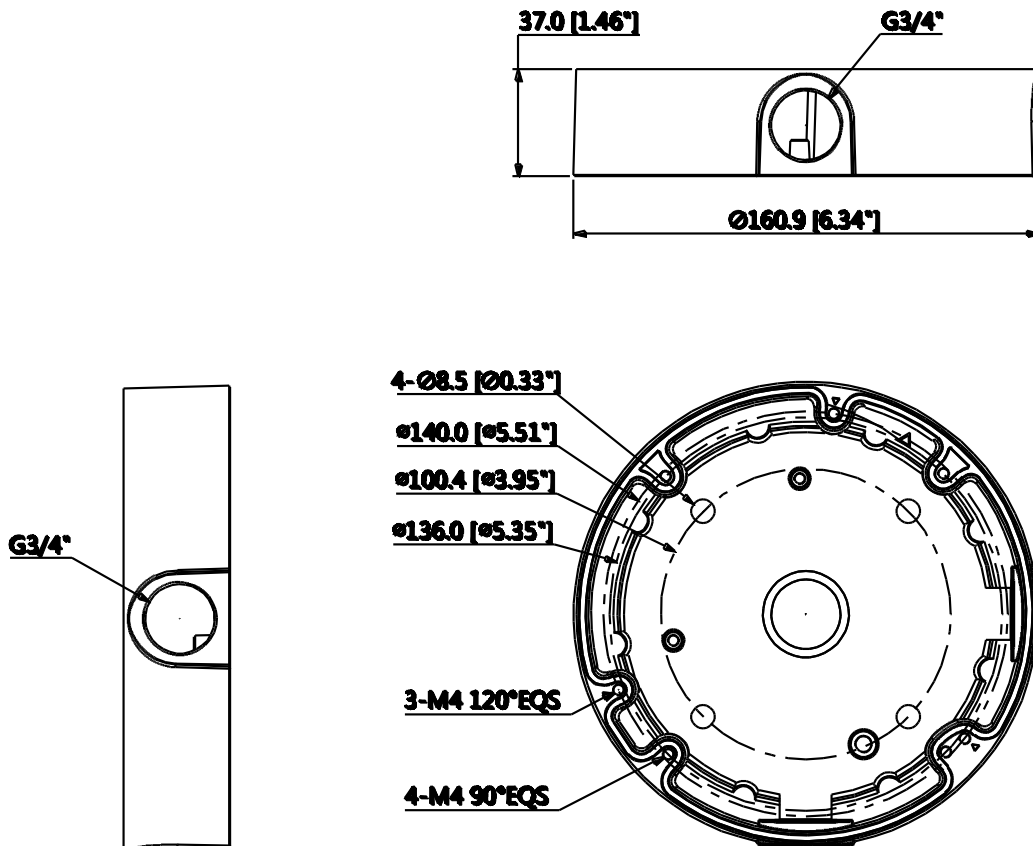
### Technical Specifications

<b>Model</b>	<b>DH-PFA138</b>
<b>General</b>	
Material	Aluminum
Dimension	Φ161x37mm (Φ6.34"x1.46")
Inch Thread	G3/4"
Weight	0.48kg(1.06lb)
Load Bearing	3.0kg(6.61lb)
Color	White
Operating Temperature	-40°C~+60°C(-40°F ~+140°F)
Humidity	<90% RH
Applicable Model	Please see "Accessory Selection"

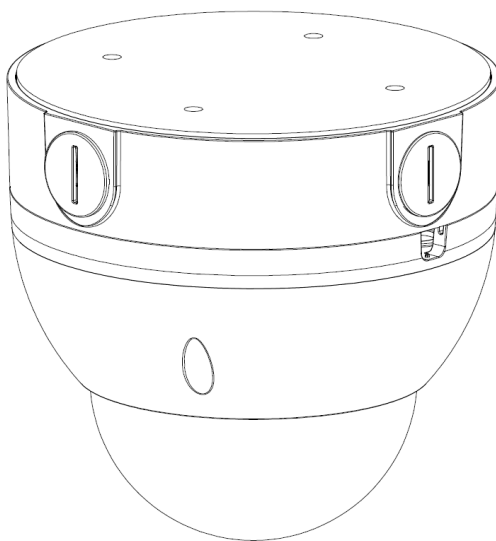
### Order Information

Type	Part Number	Description
Camera Mount	DH-PFA138	Water-proof junction box
	PFA138	Water-proof junction box

### Dimensions (mm/inch)



## Application



## Package Information

- Water-proof junction box \*1
- M4x14 screw \*4
- Plastic anchor \*4
- ST6x45 screw \*4
- Wrench \*1
- Safety rope \*1