

DH-PFA134

Water-proof Junction Box



Features

- Neat & Integrated design.
- Material: Aluminum & SECC
- Water-proof Junction box

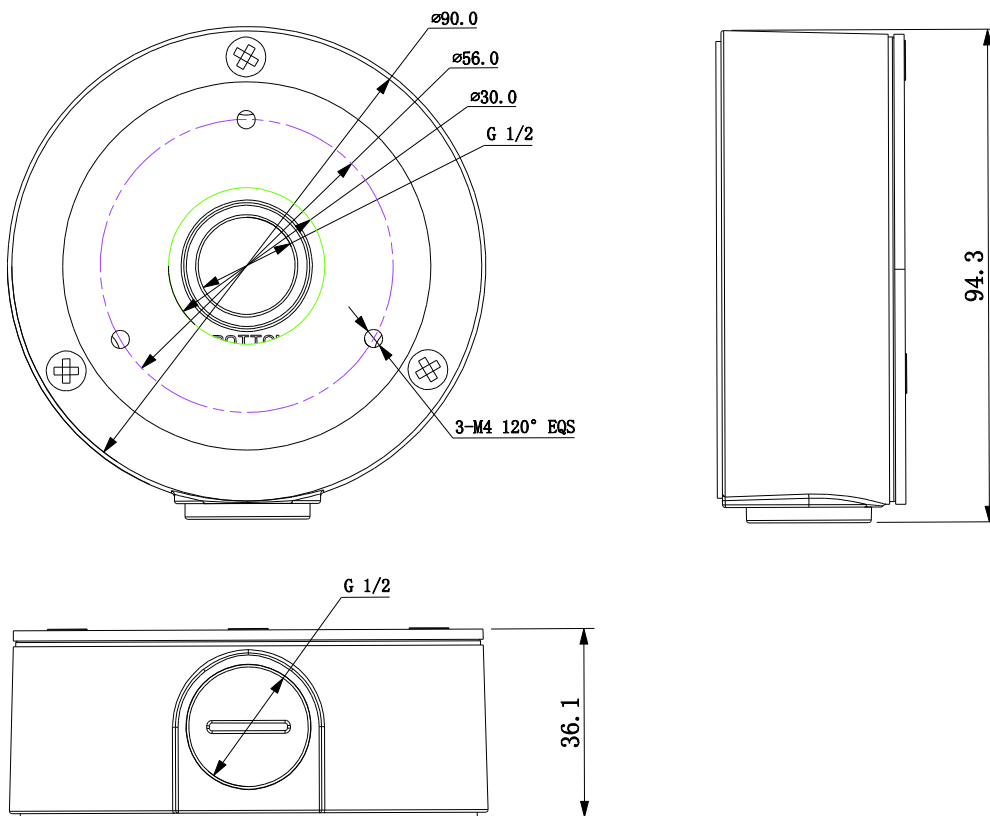
Technical Specifications

Model	DH-PFA134
General	
Material	Aluminum & SECC
Dimension	φ90mmx36.1mm(φ3.54"x1.42")
Inch Thread	M20(G1/2")
Load Bearing	1.0kg(2.2lb)
Weight	0.24kg(0.53lb)
Color	White
Operating Temperature	-40°C~+60°C(-40°F ~+140°F)
Humidity	0~90% RH
Applicable Model	Please see "Accessory Selection"

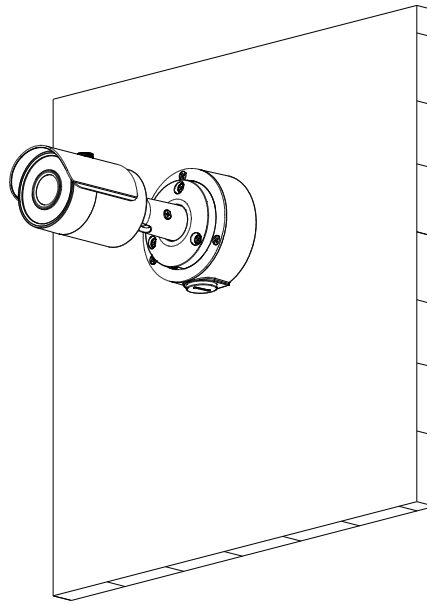
Order Information

Type	Part Number	Description
Camera mount	DH-PFA134	Water-proof Junction box _ Dahua brand
	PFA134	Water-proof Junction box _ Neutral, no brand

Dimensions (mm/inch)



Application



Package Information

- Water-proof junction box *1
- M4x10 screw *3
- ST4x25 screw *3
- Plastic anchor *3
- Water Joint *1
- Wrench *1

Package data	
Box Dimension	115mmx115mmx45mm(4.53"x4.53"x1.77")
Box Weight	0.3kg (0.66lb)
Protective Box Dimension	523mmx497mmx140mm(20.59"x19.57"x5.51")
Box In Protective Box	40 In 1