

THE DUOLINE SERIES

CCTV Signal and PSU Protector

12-00027

rev_1

Features

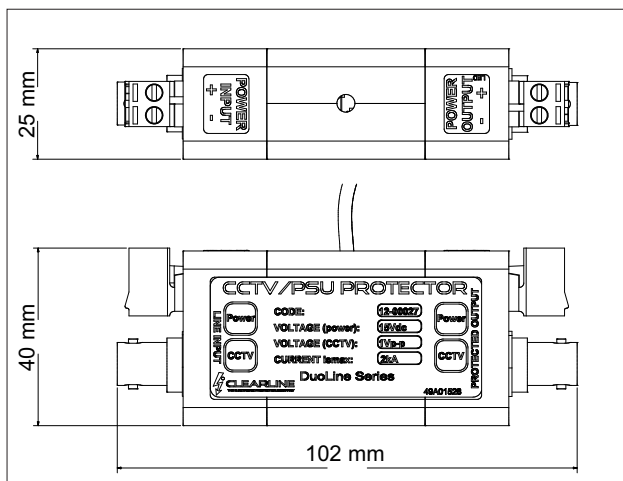
- Easy installation
- Low insertion loss
- Failsafe protection
- Combined CCTV + Power
- Supply protection

A combination protector that protects both power and data on CCTV and video systems. This device, when correctly installed, will provide excellent protection even in the presence of poor earthing systems. A combined video and power surge arrester, based on the surge platform concept to fully protect a camera system even where no connection to earth is available.



Specification	
Signal	
Max. Operating voltage	1V p-p
Max. Operating current	0.3A
Max. Operating current (Differential mode)	2kA
Max. Discharge current (Common mode)	2kA
Residual voltage (Differential mode @ 5kA (8/20))	<2.5V
Insertion loss @ 10MHz	0.08dB
Connectors	BNC F-F
Temperature range	-10°C to 70°C
Application	CCTV Composite
Power Supply	
Max. PSU voltage	15VDC
Max. PSU current	1A
Max. Clamping voltage (Differential mode)	<22V
Max. Surge current rating (Differential mode)	>71A (8/20)
Connectors	2 way push type screw terminals
Application	Camera protection on the power supply

Dimension



Designed and Manufactured by:

Clearline Protection Systems (Pty) Ltd
 385 Roan Crescent Corporate Park North, Old Pta Road,
 Midrand, South Africa
 P.O. Box 5985, Halfway House, 1685
 Tel: +27 (0) 11 848-1100
 Fax: +27 (0) 11 314-3880
 E-mail: info@clearline.co.za
 www.clearline.co.za

